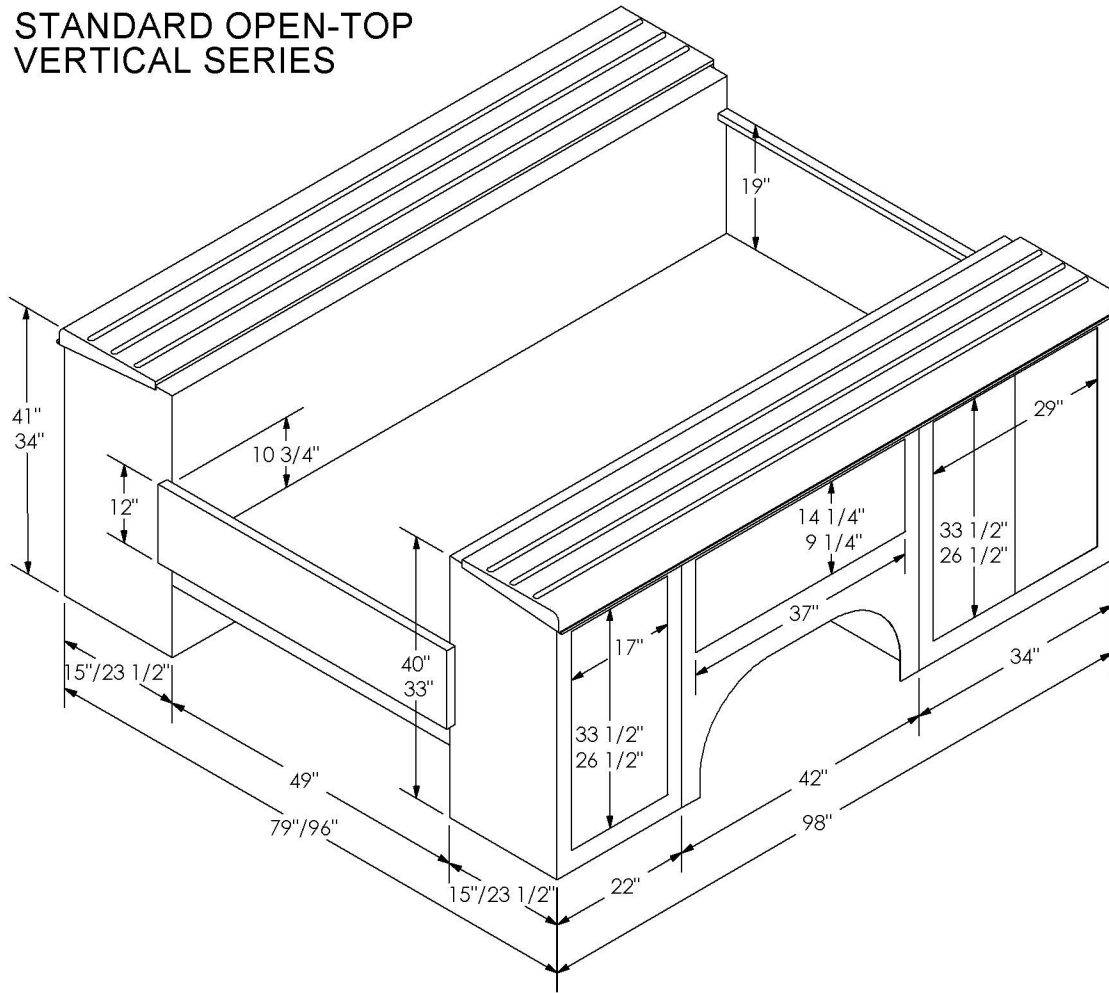


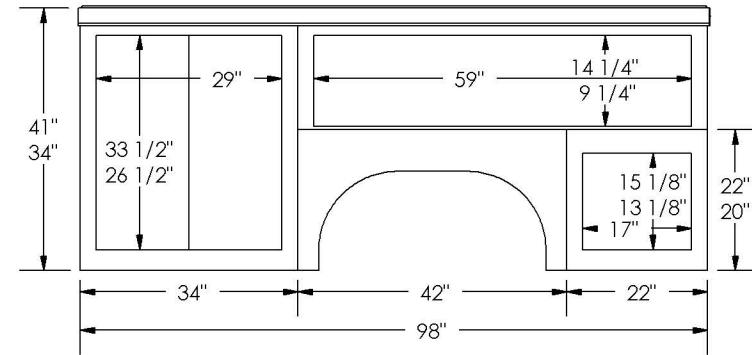
# CHEVY/GMC 8-FT TRADEMASTER DIMENSIONS

Last Update: 02/05/2015

## STANDARD OPEN-TOP VERTICAL SERIES

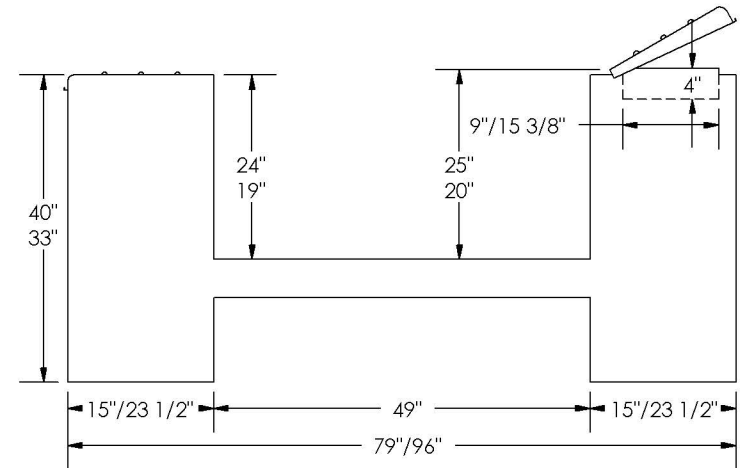


## HORIZONTAL SERIES



## CLOSED-TOP MODEL

## OPEN-TOP MODEL



## NOTE:

- 1) DOOR COMPARTMENT DIMENSIONS ARE THE CLEAR DOOR OPENING.
- 2) TOP VERTICAL DIMENSIONS ARE STANDARD HEIGHT BODIES, BOTTOM DIMENSIONS ARE LOW PROFILE BODIES.
- 3) DIMENSIONS WITH FORWARD SLASH ARE SRW / DRW.