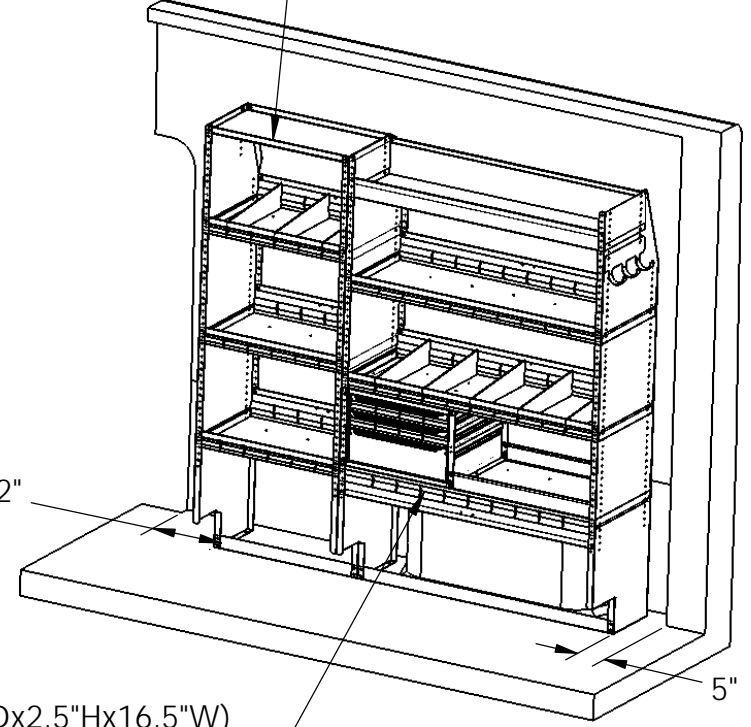
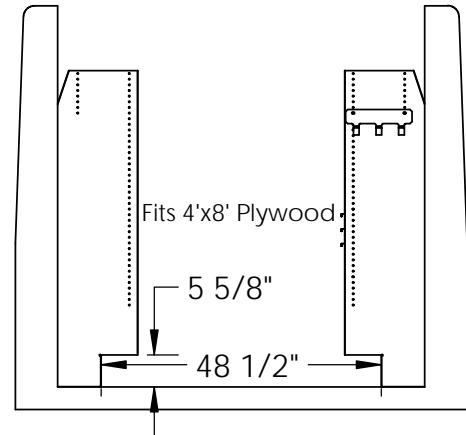
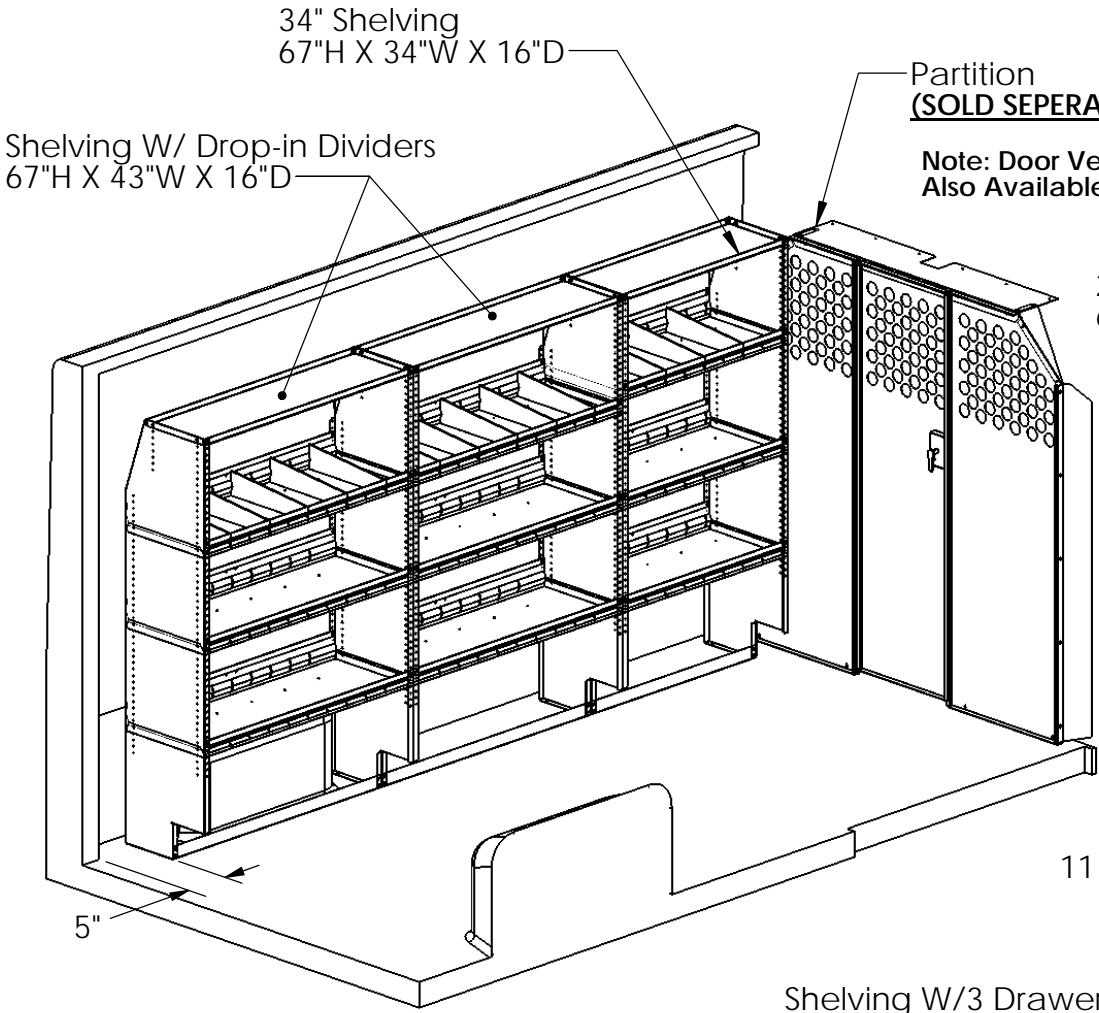


HARBOR TRUCK BODIES

PLUS PACKAGE FOR 159" WHEEL BASE RAM PROMASTER WITH HIGH ROOF

REV	DWG	DATE	CHANGE DESCRIPTION	P/N: TBD
1	KB	03/22/16	CREATED PRINT	

THE INFORMATION CONTAINED IN THIS DRAWING IS THE SOLE PROPERTY OF HARBOR TRUCK BODIES. ANY REPRODUCTION IN PART OR WHOLE WITHOUT THE WRITTEN PERMISSION OF HARBOR TRUCK BODIES IS PROHIBITED.



Shelving W/3 Drawers
67"Hx43"Wx16"D

Drawer Size: 2X (15.75"Dx2.5"Hx16.5"W)
1x (15.75"Dx5"Hx16.5"W)

UNLESS OTHERWISE SPECIFIED
DIMENSIONS ARE IN INCHES
TOLERANCES ARE:
DECIMALS ANGLES FRACTIONS
X = +/- .1 X = +/- 1° +/- 1/32"
.XX = +/- .03

SIZE	DESCRIPTION
A	Harbor Van Ram Promaster 159" WB Plus Package
Installed Weight	552 lbs
FINISH	Epoxy Prime
DRAWN	JH
DATE	04/04/16

PACKAGE PART NUMBERS:
HVRSD-159WB & HVIR-BH
INSTALLED

HARBOR TRUCK BODIES

PLUS PACKAGE FOR 159" WHEEL BASE RAM PROMASTER WITH HIGH ROOF

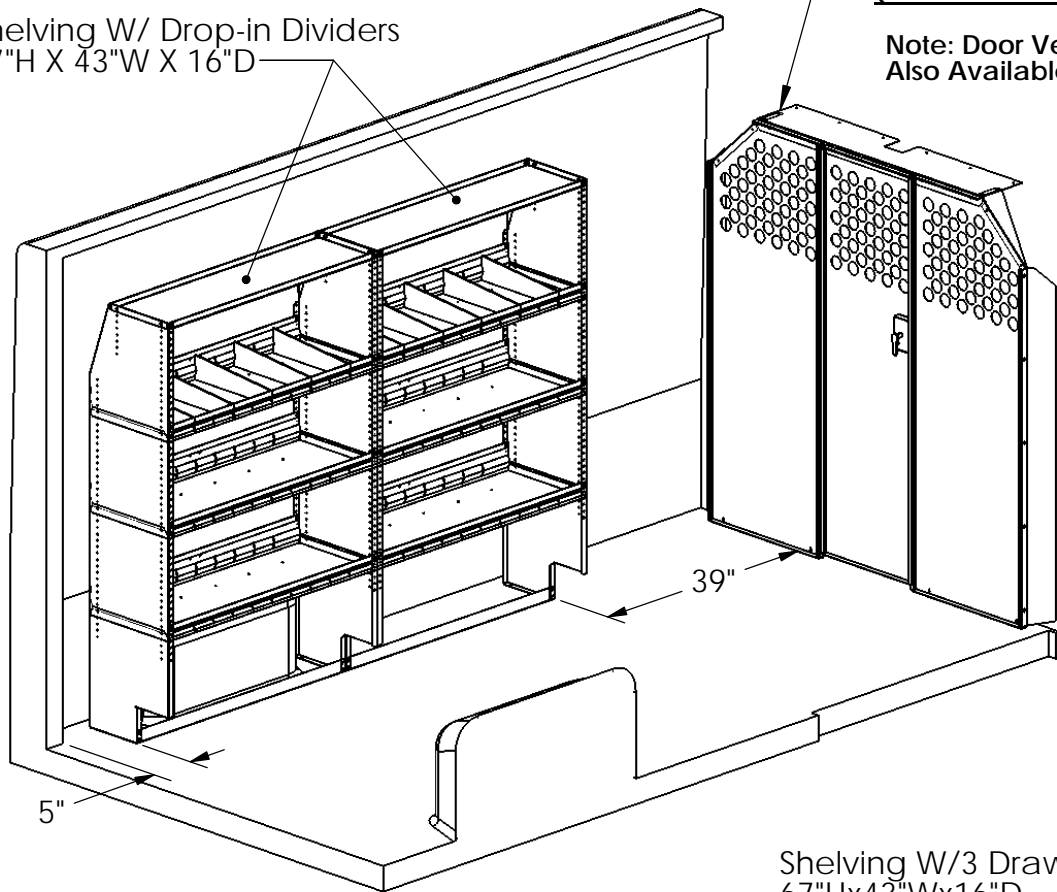
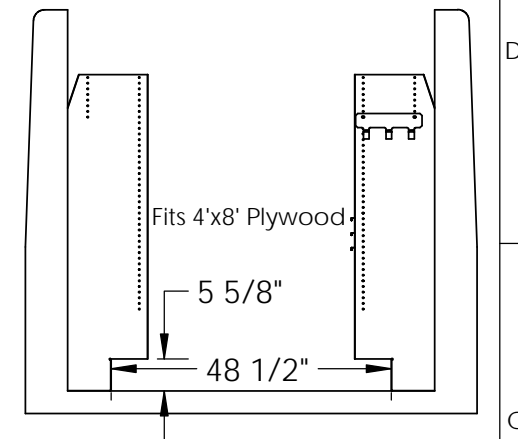
REV	DWG	DATE	CHANGE DESCRIPTION	P/N: TBD
1	KB	03/22/16	CREATED PRINT	

THE INFORMATION CONTAINED IN THIS DRAWING IS THE SOLE PROPERTY OF HARBOR TRUCK BODIES. ANY REPRODUCTION IN PART OR WHOLE WITHOUT THE WRITTEN PERMISSION OF HARBOR TRUCK BODIES IS PROHIBITED.

Shelving W/ Drop-in Dividers
67"H X 43"W X 16"D

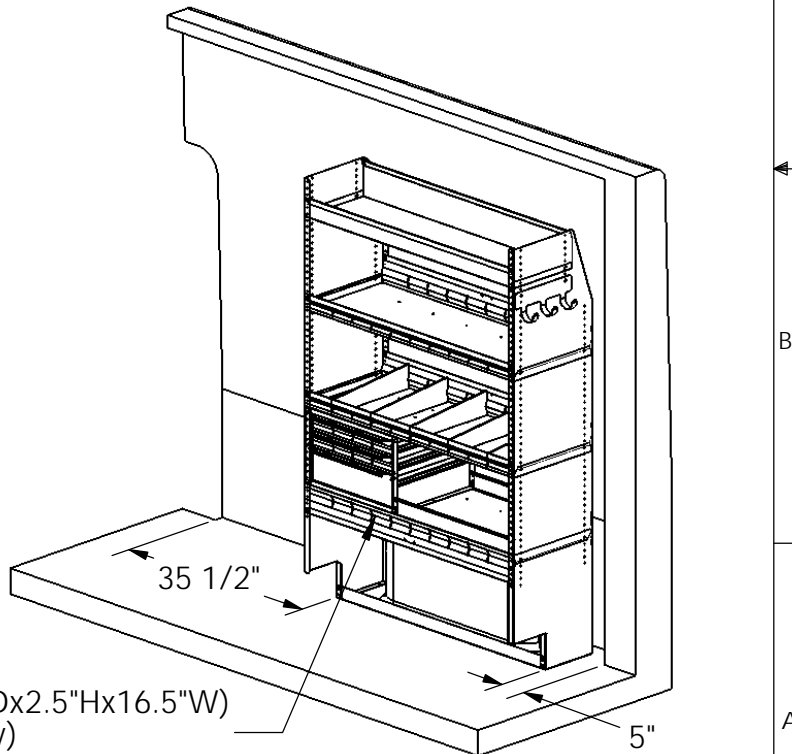
Partition
(SOLD SEPERATE FROM PACKAGE)

Note: Door Version Shown
Also Available Without Door



Shelving W/3 Drawers
67"Hx43"Wx16"D

Drawer Size: 2X (15.75"Dx2.5"Hx16.5"W)
1x (15.75"Dx5"Hx16.5"W)



UNLESS OTHERWISE SPECIFIED
DIMENSIONS ARE IN INCHES
TOLERANCES ARE:
DECIMALS ANGLES FRACTIONS
X = +/- .1 X = +/- 1° +/- 1/32"
.XX = +/- .03

SIZE	DESCRIPTION
A	Harbor Van Ram Promaster 159" WB Plus Package
Installed Weight	552 lbs
FINISH	Epoxy Prime
DRAWN	JH
DATE	04/04/16

PACKAGE PART NUMBERS:
HVRSD-H & HVIR-BH
INSTALLED

8 7 6 5 4 3 2 1

THE INFORMATION CONTAINED IN THIS DRAWING IS THE SOLE PROPERTY OF HARBOR TRUCK BODIES ANY REPRODUCTION IN PART OR WHOLE WITHOUT THE WRITTEN PERMISSION OF HARBOR TRUCK BODIES IS PROHIBITED.

HARBOR TRUCK BODIES

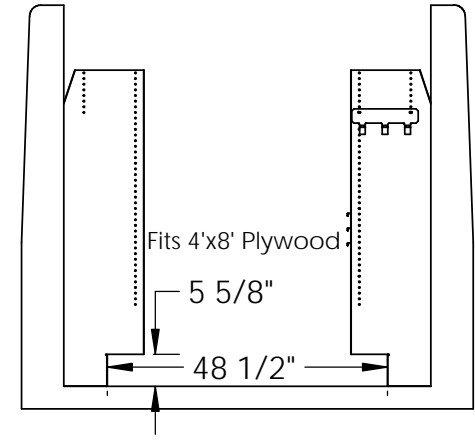
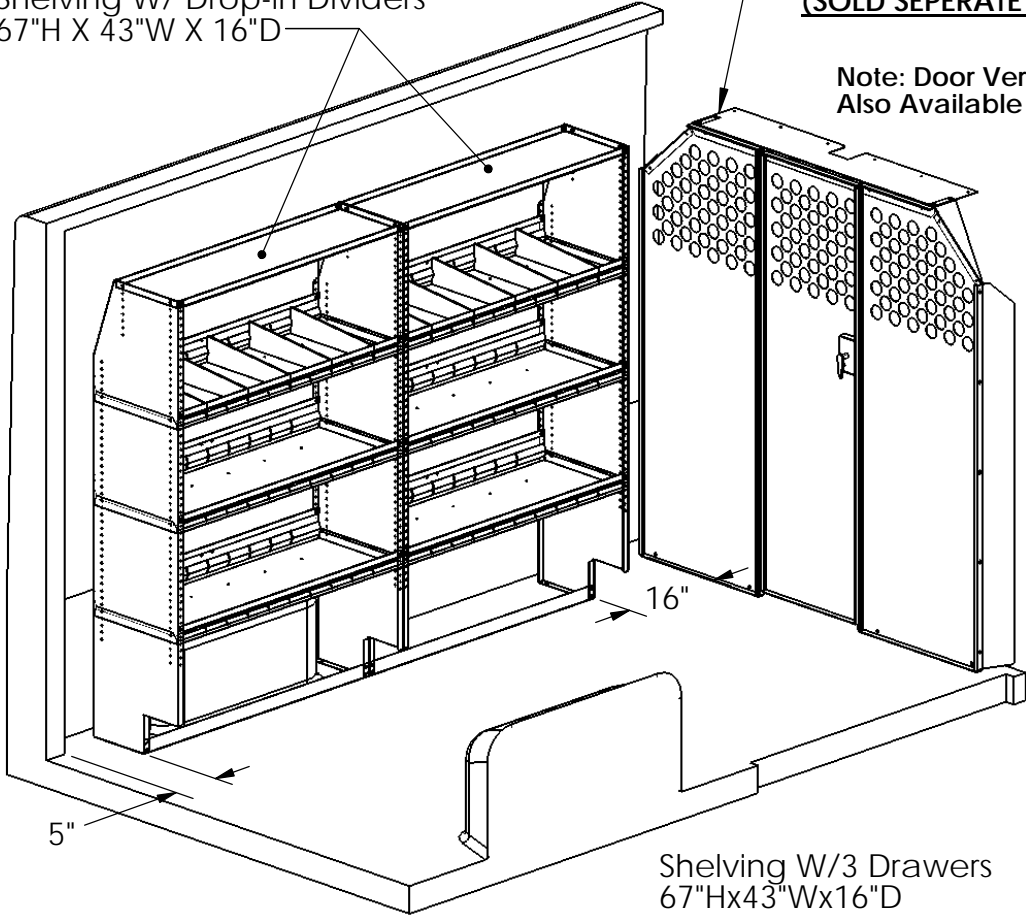
PLUS PACKAGE & PARTITION FOR 136" WHEEL BASE
RAM PROMASTER WITH HIGH ROOF

REV	DWG	DATE	CHANGE DESCRIPTION	P/N: TBD
1	KB	03/22/16	CREATED PRINT	

Shelving W/ Drop-in Dividers
67"H X 43"W X 16"D

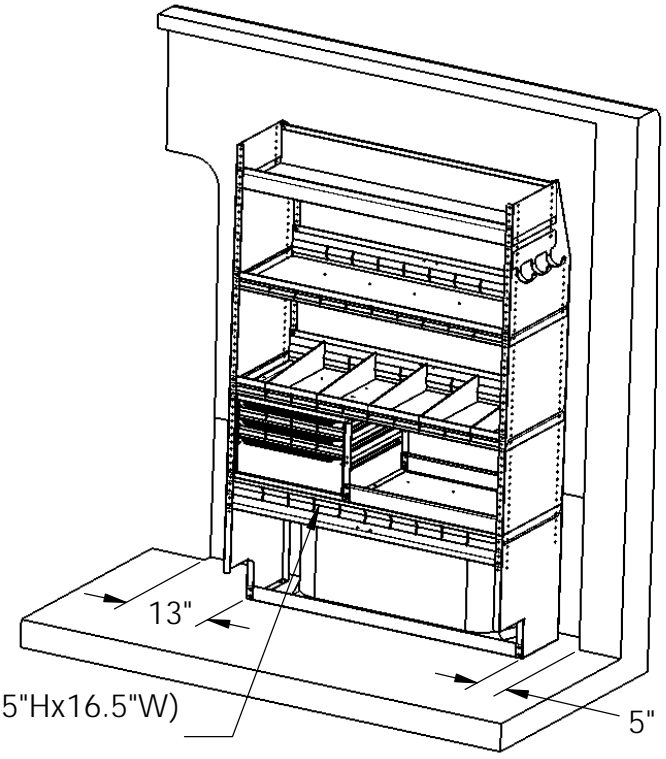
Partition
(SOLD SEPERATE FROM PACKAGE)

Note: Door Version Shown
Also Available Without Door



Shelving W/3 Drawers
67"Hx43"Wx16"D

Drawer Size: 2X (15.75"Dx2.5"Hx16.5"W)
1x (15.75"Dx5"Hx16.5"w)



UNLESS OTHERWISE SPECIFIED
DIMENSIONS ARE IN INCHES
TOLERANCES ARE:
DECIMALS ANGLES FRACTIONS
X = +/- .1 X = +/- 1° +/- 1/32"
.XX = +/- .03

SIZE	DESCRIPTION	FINISH	DRAWN	DATE
A	Harbor Van Ram Promaster Raised Plus Package	Epoxy Prime	JH	04/04/16
Installed Weight	410 lbs			

PACKAGE PART NUMBERS:
HVRSD-H & HVIR-BH
INSTALLED

8 7 6 5 4 3 2 1

THE INFORMATION CONTAINED IN THIS DRAWING IS THE SOLE PROPERTY OF HARBOR TRUCK BODIES. ANY REPRODUCTION IN PART OR WHOLE WITHOUT THE WRITTEN PERMISSION OF HARBOR TRUCK BODIES IS PROHIBITED.

HARBOR TRUCK BODIES

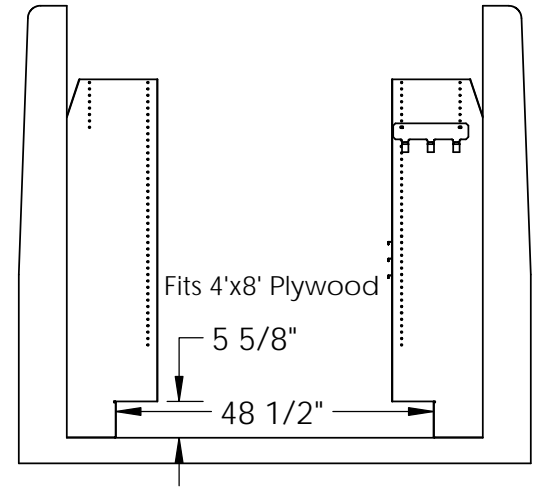
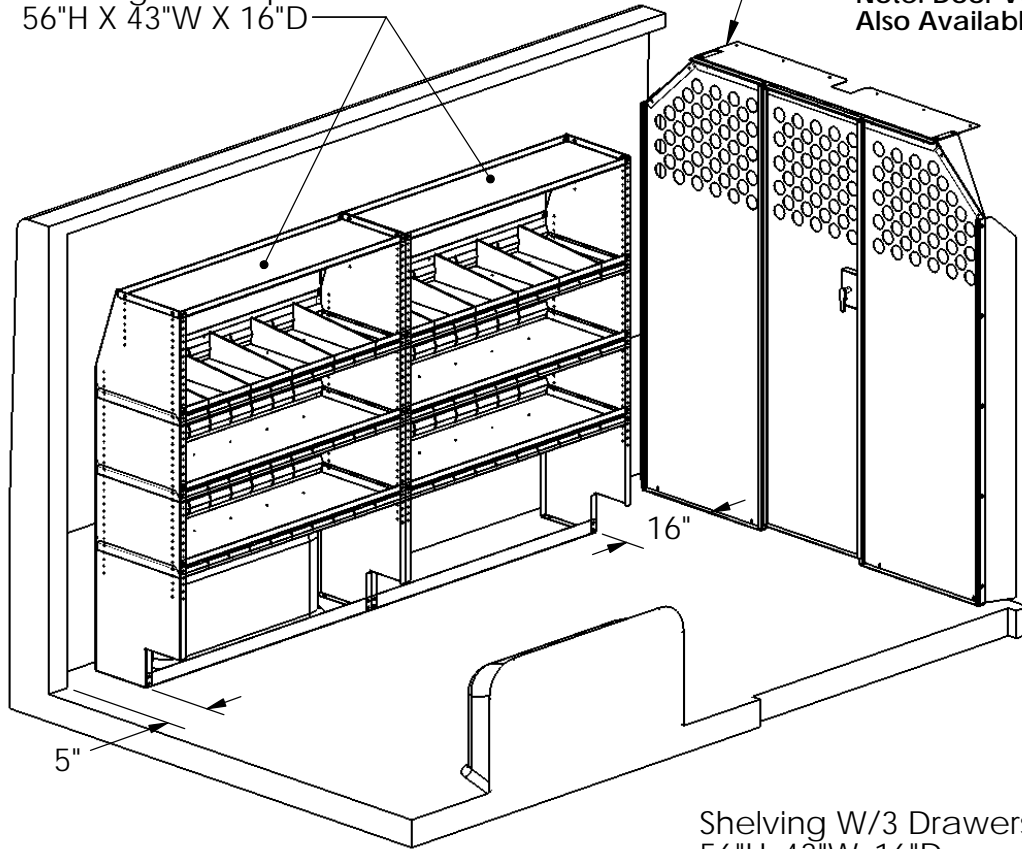
PLUS PACKAGE & PARTITION FOR 136" WHEEL BASE
RAM PROMASTERS WITH MEDIUM ROOF

REV	DWG	DATE	CHANGE DESCRIPTION	P/N: TBD
1	KB	03/22/16	CREATED PRINT	

Shelving W/ Drop-in Dividers
56"H X 43"W X 16"D

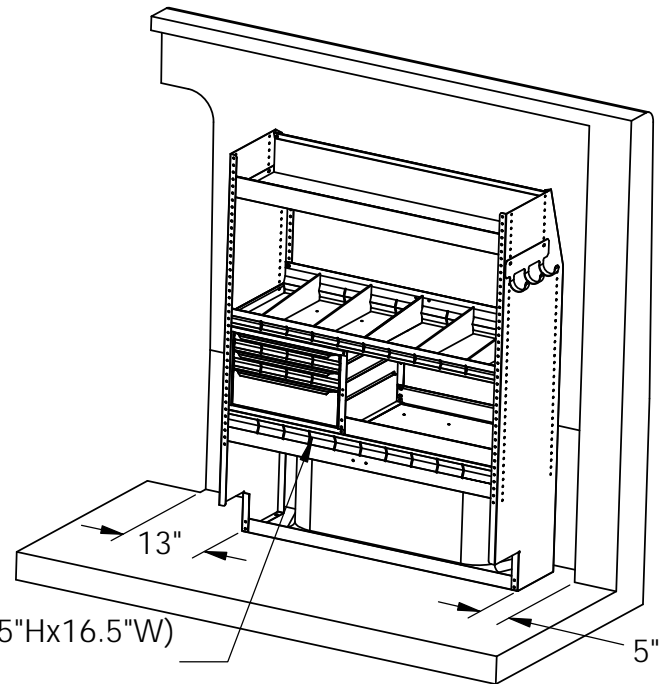
Partition
(SOLD SEPERATE FROM PACKAGE)

Note: Door Version Shown
Also Available Without Door



Shelving W/3 Drawers
56"Hx43"Wx16"D

Drawer Size: 2X (15.75"Dx2.5"Hx16.5"W)
1x (15.75"Dx5"Hx16.5"W)



UNLESS OTHERWISE SPECIFIED
DIMENSIONS ARE IN INCHES
TOLERANCES ARE:
DECIMALS ANGLES FRACTIONS
X = +/- .1 X = +/- 1° +/- 1/32"
.XX = +/- .03

SIZE	DESCRIPTION	Harbor Van Ram Promaster Plus Package		PACKAGE PART NUMBERS: HVRSD-M & HVIR-BH	
A	Interior Weight	389 lbs	FINISH	DRAWN	DATE
			Epoxy Prime	JH	04/04/16

INSTALLED

THE INFORMATION CONTAINED IN THIS DRAWING IS THE SOLE PROPERTY OF HARBOR TRUCK BODIES. ANY REPRODUCTION IN PART OR WHOLE WITHOUT THE WRITTEN PERMISSION OF HARBOR TRUCK BODIES IS PROHIBITED.

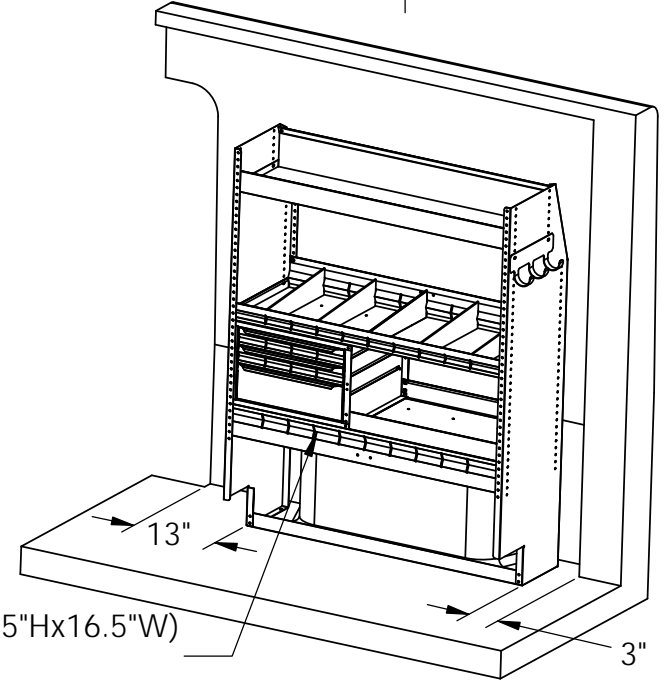
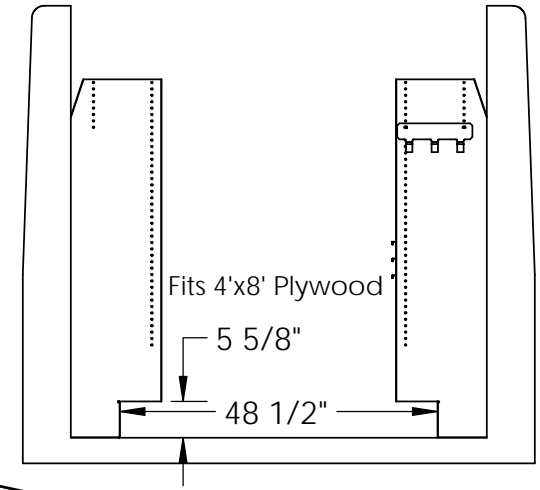
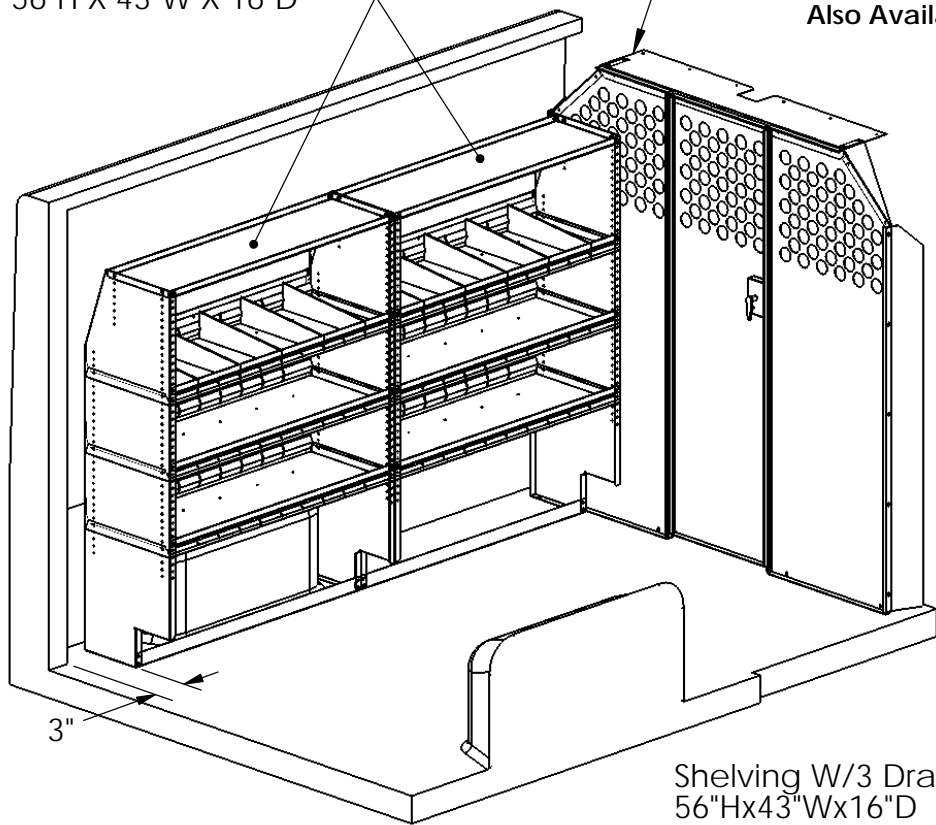
HARBOR TRUCK BODIES

PLUS PACKAGE & PARTITION FOR 118" WHEEL BASE
RAM PROMASTERS WITH MEDIUM ROOF

REV	DWG	DATE	CHANGE DESCRIPTION	P/N: TBD
1	KB	03/22/16	CREATED PRINT	

Shelving W/ Drop-in Dividers
56"H X 43"W X 16"D

Partition
(SOLD SEPERATE FROM PACKAGE)
Note: Door Version Shown
Also Available Without Door



Shelving W/3 Drawers
56"Hx43"Wx16"D

Drawer Size: 2X (15.75"Dx2.5"Hx16.5"W)
1x (15.75"Dx5"Hx16.5"w)

UNLESS OTHERWISE SPECIFIED
DIMENSIONS ARE IN INCHES
TOLERANCES ARE:
DECIMALS ANGLES FRACTIONS
X = +/- .1 X = +/- 1° +/- 1/32"
.XX = +/- .03

SIZE	DESCRIPTION	Harbor Van Ram Promaster Plus Package		PACKAGE PART NUMBERS: HVRSD-M & HVIR-BH	
A	Interior Weight	389 lbs	FINISH	DRAWN	DATE
			Epoxy Prime	JH	04/04/16

INSTALLED

8 7 6 5 4 3 2 1

D
C
B
A

D
C
B
A

8 7 6 5 4 3 2 1