



Welder Bodies

Extracted from Full Scelzi Catalog



Photos may contain optional equipment - verify your specifications when you order.

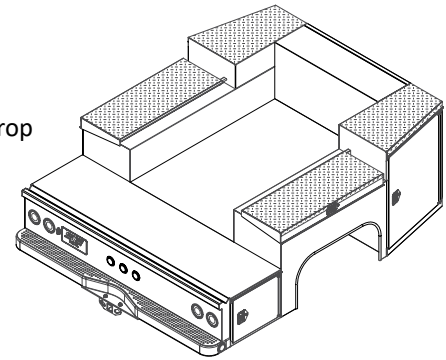
SBD-108-94-49 108" Long 60 CA Standard Specifications

- Body Dimensions:**
- 108 inches Long x 94 inches wide. Compartment height is 33 inches.
 - Custom Order Only: 132 inch Long body, as shown in photo above.

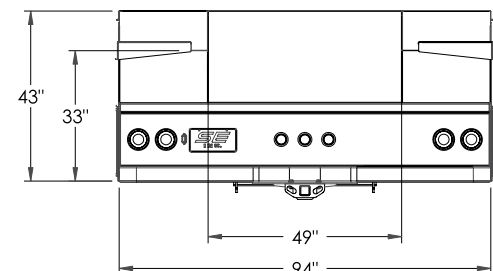
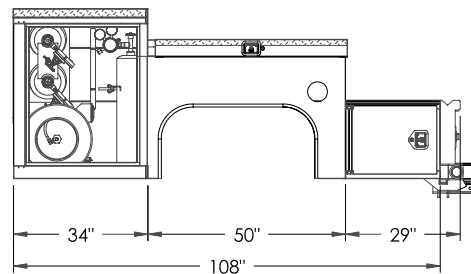
- Rear Wheel:**
- Dual

- Color:**
- White

- Storage Compartments:**
- Tapered Front Compartments and Smooth Steel Floor with a 5" Drop
 - Oxygen Bottle Holders in Transverse Compartment - Driverside
 - Acetylene Bottle Holders in Upright Position in Front Compartment - Driverside
 - Hose Holder in Front Compartment - Driverside
 - Oxygen and Acetylene Hose Reel with Louver in Lower Bottom of Front Compartment - Driverside
 - Adjustable Shelves in Front Compartment - Curbside
 - Horizontal Compartment with Dividers
 - Rear Work Deck with Access Doors and "V" Groove
 - Perforated Rear Step Bumper
 - Class 5 Receiver Hitch Without Insert
 - Trailer Plug 7/4 Way OEM Socket



Dimensions shown are for SBD-108-94-49-33-V



Optional Polyurea lining

All drawings reflect dimensions for the most popular applications.