



Building An American Legacy One Truck Body At A Time





Over 40 Years of Innovation, Quality, and Commitment to Excellence

2022 marks our 43rd year in business. It was 1979 when we first began turning our hobby into a business, welding trailers together for profit. Looking back over the years that followed, it is hard for us to believe how far we have come.



Mike and Gary Scelzi

As young men all three Scelzi brothers had a passion for cars and trucks. Mike, Jim, and Gary each spent time in related industries, but in the end they joined forces at Scelzi Enterprises to design and manufacture the best work truck bodies in the USA. Jim retired from the business in 2018.

Today the Scelzi Legacy continues, and our commitment to Quality is stronger than ever. As we fondly look back over the past 40+ years, we are extremely grateful to the employees and key partners who helped us reach this moment.

Don't Settle For Less Than A Scelzi!

Our facilities make Scelzi Enterprises the largest manufacturer of truck bodies in the Western USA. Covering 25 acres in Southwest Fresno alone and including 450,000 square feet of office and manufacturing space, we employ more than 450 employees of various skills and talents to contribute to the Quality of our Trucks Bodies and our organization.

FRESNO, CA



It all started in a garage in Fresno, and then spread to a small building on Thesta Avenue. Today Scelzi Enterprises has California facilities in Fresno, Riverside, and Shafter, along with LaSalle (CO) and our newest facility in Tacoma, Washington!

TACOMA, WA





RIVERSIDE, CA

Wherever we are and whoever we select to join our team, we make sure the Scelzi Commitment to Quality is embedded deep into every product we manufacture, and in every person we employ.



LaSALLE, CO



SHAFTER, CA



THE SCELZI ENTERPRISES MISSION STATEMENT

We utilize innovative truck body designs and an uncompromising Commitment to Quality to exceed our customer's expectations — providing value to our owners, our business partners, our team members, and our end users.

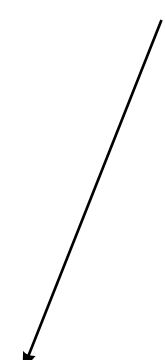


Scelzi Truck Body Nomenclature



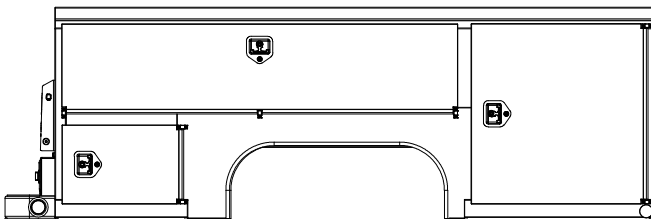
SB - 98 - 79 - 49 - 38 - VO

	BODY TYPE	OVERALL BODY LENGTH	OVERALL BODY WIDTH	FLOOR WIDTH	COMPARTMENT HEIGHT	COMPARTMENT CONFIGURATION
WT	Water Truck Body	80"	79"	49"	33"	H - Horizontal Compartments with Close Tops
WCB	Western Crane Body					
CTFB	Contractor Body	98"	94"	54"	38"	V - Vertical Compartments with Close Tops
SCTFB	Super Contractor Body					
SB	Service Body SRW	108"	96"	56"	43"	HO - Horizontal Compartments with Open Tops
SBD	Service Body DRW					
SEC	Combo Body	132"			60"	VO - Vertical Compartments with Open Tops
SFB	Scelzi Flat Bed					
WFB	Western Flat Bed	156"				
FBC	Flatbed - Custom					
FRFB	Front Range Flatbed					
SBCR	Crown Service Body, SRW					
SBD CR	Crown Service Body, DRW					
SBD CRH	Crown RV Hauler Body					

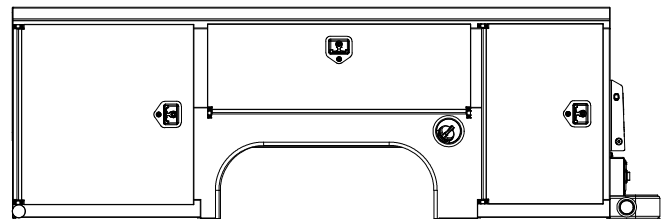


Compartment Configuration

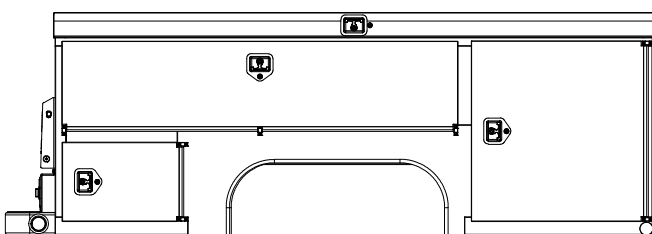
H - Horizontal Compartments with Close Tops



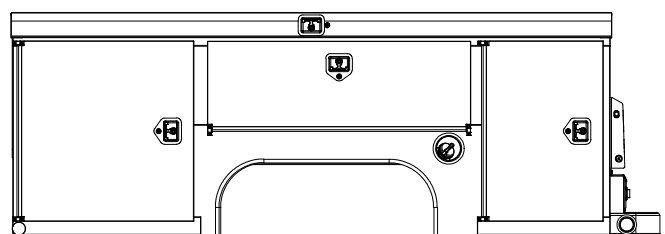
V - Vertical Compartments with Close Tops



HO - Horizontal Compartments with Open Tops



VO - Vertical Compartments with Open Tops





The World's Best Truck Bodies



Flatbed/Platform

WESTERN Flatbed
SCELZI Flatbed

Page 7



Landscaper/Gardener

8 x 10, 8 x 12, and 8 x 14 feet long

Page 11



Cowboy

7 x 8, 8 x 8, and 8 x 9 feet long

Page 12



Front Range Flatbed

Page 13



RV Hauler

Page 14



Contractor

7 x 9, 8 x 10, 8 x 12 and
8 x 14 feet long

Page 15



Super Contractor

8 x 12/14 foot Contractor Body
with extra storage capacity

Page 16



Combo

9, 10, 12, and 14 feet long

Page 17



Service

SIGNATURE Service Body
CROWN Service Body
Service Body Insert

Page 22



Super Structure

For 8600 GVW and higher

Page 34



Crane

Western Crane Body 11 feet long

Page 35



Welder

Page 36



Dump

Page 37



Chipper

12, 14, and 16 feet long

Page 42



Water Truck

2000, 2500, and 4000 Gallon Tanks

Page 44

Parts and Accessories

Parts and Accessories

Page 48

SCELZI CLASSICS:
Special Order Designs

- A-Frames
- Contour Body
- Crane Body - Non Western
- Cruiser Body

Page 57

CUSTOM DESIGNS

Page 59

Why Do Scelzi Truck Bodies Last Longer Than Other Bodies?



1 More Robust Design

Only Scelzi Truck Bodies Can Handle This Load



2 Premium Components



Thicker gauge steel for extended life



3 Precision Engineering, Welding and Assembly

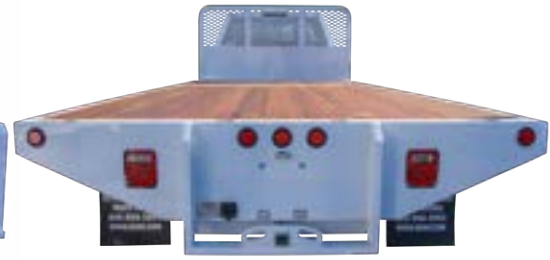


Scelzi Flatbed bodies are available in several different styles:

1. Scelzi Flatbed - with an "angled" tail plate and California Dock Bumper in back.
2. Western Flatbed - with a "squared" ICC Dock Bumper in back.
3. Flatbed Dump with hoist
4. Custom Flatbed



Western Flatbed



Scelzi Flatbed



Flatbed Dump



Custom Flatbed (pg 55)

Common Features and Options

Available for Scelzi and Western Flatbeds

- Underbody Tool Box - See table below for options
- Top Mounted Tool Box - Closed Top
Available in 72", 96" and 108" long
18" high - 18" deep
- Top Mounted Tool Box - Open Top
Available in 48", 72", 96" and 108" long
18" high - 18" deep

Side Racks

- A.J. Baer style tapered polished stainless steel stakes with slats.
Available in 12", 15", 18", 24", 36", 42", 48" heights.
- Other combinations of painted steel stakes or hardwood, steel or aluminum siding can be ordered.



Optional Tie Down Rail



Scelzi Flatbed Underbody Tool Boxes

LONG	HIGH	DEEP
24"	18"	18"
30"	18"	18"
36"	18"	18"
40" *	18"	18"
48"	18"	18"
60"	18"	18"

* This is a special order item

Scelzi style flatbed - with an "angled" tail plate with California Dock Dumper in back.



Scelzi Flatbed



With Optional Toolboxes



Photos may contain optional equipment - verify your specifications when you order.

- Flooring Choices:** Standard flooring options are hardwood, aluminum, or steel (smooth or diamond plate).
Stake Options: Painted steel, stainless steel, or none
Side Rack Options: Hardwood, aluminum, or steel

Standard Body Lengths and Specifications

BODY TYPE	BED SIZE	TRUCK CA"	REAR WHEEL
SFB-7/8'6"	7x8'6"	56"	Single
SFB-7/9	7x9	60"	Single
SFB-8/8	8x8	56"	Dual
SFB-8/9	8x9	60"	Dual
SFB-8/10	8x10	60"	Dual
SFB-8/12	8x12	84"	Dual
SFB-8/14	8x14	102"-108"	Dual
SFB-8/16	8x16	120"	Dual
SFB-8/18	8x18	144"	Dual
SFB-8/20	8x20	156"	Dual
SFB-8/22	8x22	168"	Dual
SFB-8/24	8x24	186"	Dual

Standard Features

- Choice of 50-50 Headboard
- 1/2" Rope Hooks on each Cross Member
- Tail Plate with California Dock Bumper
- OEM Taillights, Seal Beam Clearance Light
- Stainless Steel Gas Bezel
- Tapered A.J. Baer Style Stake Pockets
- Choice of color Black or White - Contact Scelzi for additional colors
- LED Clearance Lights Flush Mounted

Optional Features

- Can be manufactured with any of the following:
 - 1-1/8" Hardwood or 7/8" Aluminum
 - Floors - 16" Crossmember
 - 12 Gauge Diamond Plate
 - 3/16" Solid Diamond Plate Bed
 - 3/16" Smooth Steel Available

NOTE: No warranties offered on wood products



Photos may contain optional equipment - verify your specifications when you order.

- Flooring Choices:** Standard flooring options are hardwood or aluminum
- Stake Options:** Painted steel, stainless steel, or none
- Side Rack Options:** Hardwood, aluminum, or steel



Standard Body Lengths and Specifications

BODY TYPE	BED SIZE	TRUCK CA"	REAR WHEEL
W-7/8'6"	7x8'6"	56"	Single
W-7/9	7x9	60"	Single
W-8/8	8x8	56"	Dual
W-8/9	8x9	60"	Dual
W-8/10	8x10	60"	Dual
W-8/12	8x12	84"	Dual
W-8/14	8x14	102"-108"	Dual
W-8/16	8x16	120"	Dual
W-8/18	8x18	144"	Dual
W-8/20	8x20	156"	Dual
W-8/22	8x22	168"	Dual
W-8/24	8x24	186"	Dual

Standard Features

- 50/50 Headboard with 3" Channel Radius Corners
- Perforated Top Smooth Steel Bottom
- 7/8" Aluminum Floors are Optional
- 1/2" Rope Hooks on Each Crossmember
- Crossmember on 16" Centers
- ICC Dock Bumper
- OEM Taillights
- LED Seal Beam Clearance Lights Flush Mounted
- Painted White or Black - Contact Scelzi for additional colors
- 10 Gauge 6" Formed Rub Rails Front, Side & Rear
- 10 Gauge 4" formed Crossbars
- LED Clearance Lights Flush Mounted

Optional Headboards

- STA - 2 Contractor Style
- Custom H/B, Contact Sales

Headboards

- 3" One Piece Contour Channel with 3" uprights and 10 gauge one piece perforated, smooth steel
- The 50-50 or the One-Window are standard. The Two-Window and the "A" Style are two of the many designs that can be ordered



Photos may contain optional equipment - verify your specifications when you order.

Standard Body Lengths and Specifications

Available 10', 12', 14' and 16' Long

CHOICE OF DECKING MATERIAL:

- 7/8" Aluminum Decking
- 7/8" or 1-1/8" Wood Decking
- 3/16" Smooth Steel
- 3/16" Diamond Plate
- Cross Member on 12" Centers
- Rope hooks on Each Cross Member
- Head Board 10 Gauge 12" x 24" Window
- ICC Bumper

HOIST:

Scelzi Electronic and PTO Hoists Available

SIDE RACKS:

- A.J. Baer Stainless Stakes with 3/4" Wood Material
- Solid or with a Gap
- 12", 15", 18", 24", 36", 42" or 48" Tall
- 1/2" Plywood Side Racks with Capping, Painted White or Black, 12", 15", 18", 24", 36", 42" or 48" Tall
- Removable Steel A.J. Baer Stakes with 18 Gauge Steel Slats Corrugated Painted White or Black
- 12", 15", 18", 24", 36", 42" or 48" Tall
- Non Removable Steel Side Racks 12" or 24" Tall, 10 or 14 Gauge

BARN DOORS:

- Door Gates with Western Gate Latches for 12" or 24" Tall Doors
- Door Gates with or without Optional Cross Bars 8" Above Door.
- 36", 48" or 60" Tall Doors

BINDER:

- Combo binder
- Recessed Combo Binder
- Sliding binder
- 3/4 Rope Hooks

DUMP BED RECEIVER HITCHES:

- 1,000# Tongue Weight - 10,000 Pull Weight - Class 4
- 1,800# Tongue Weight - 18,000 Pull Weight - Class 5

HITCHES FOR HEAVIER DUTY TOWING

- Recommended for 550 or Lower: PH 15 - Pintle hitch with 1/2" Buck Plate or A-Frame
- Recommended for 650 and Above: 580J Premier H.D. Pintle 3/4" with Buck Plate





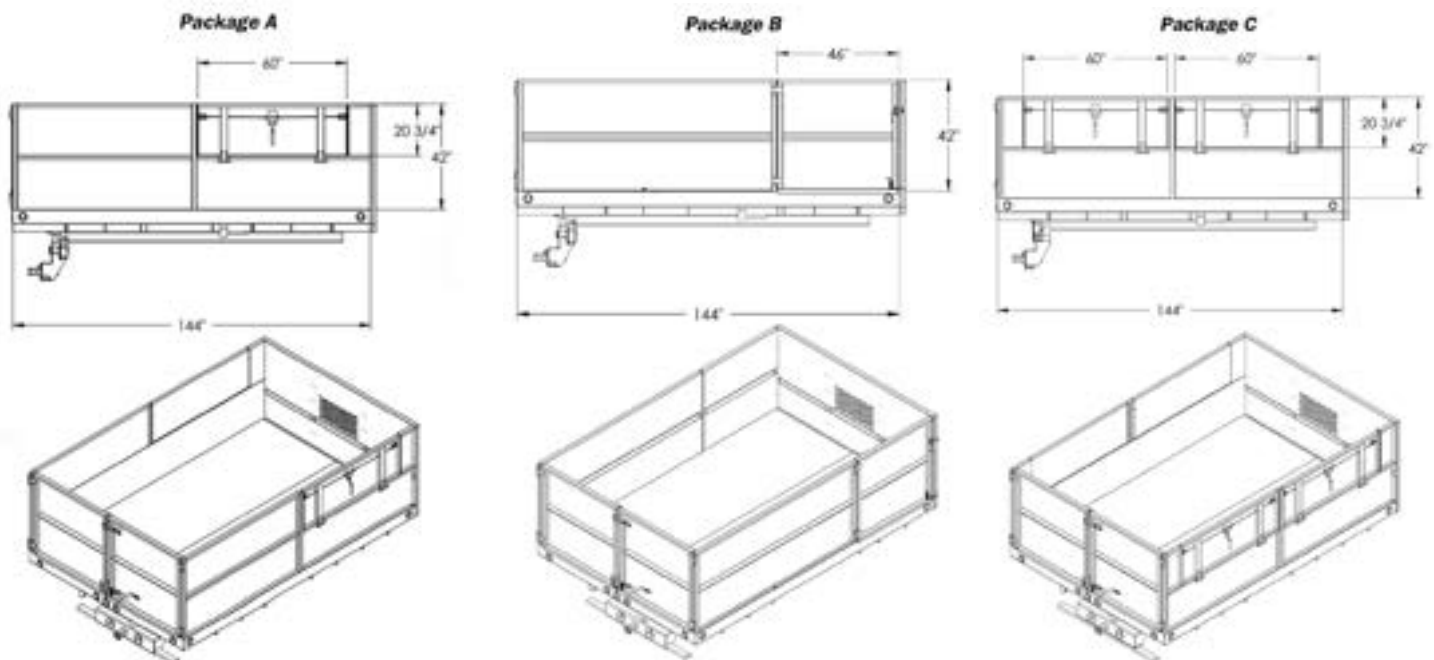
Photos may contain optional equipment - verify your specifications when you order.

Standard Body Lengths and Specifications

Series	Bed Size	Side Rack Package Options
14.4	8 ft x 10 ft	Package A: 42" Solid steel with a HINGED horizontal door 60" wide, OR Package B: 42" Solid steel with a front vertical door 48" wide, OR Package C: 42" Solid steel with dual fold down doors Special Order: 1/2" Removeable plywood racks with steel stakes, western gate latches
11.2	8 ft x 12 ft	
9.2	8 ft x 14 ft	

Standard Features

- 10 Gauge Smooth Steel Floor
- Cross Member on 16" Centers with Rope hooks on Each Cross Member
- Perforated 10 Gauge Head Board
- Rear Barn Doors and Optional Side Barn Doors
- 42" Solid Steel side racks hinged to fold out at 21"
- Racks in 5 ft sections - One in front, one on driver side, and one curbside (passenger side)
- Class V Receiver hitch and 7/4 RV plug
- Cargo area covered with Polyurea for added Rust/ Corrosion protection
- **HOIST:** Double Acting Scelzi Hoist. See page 37 for more hoist information





NOTE: No warranties offered on wood products

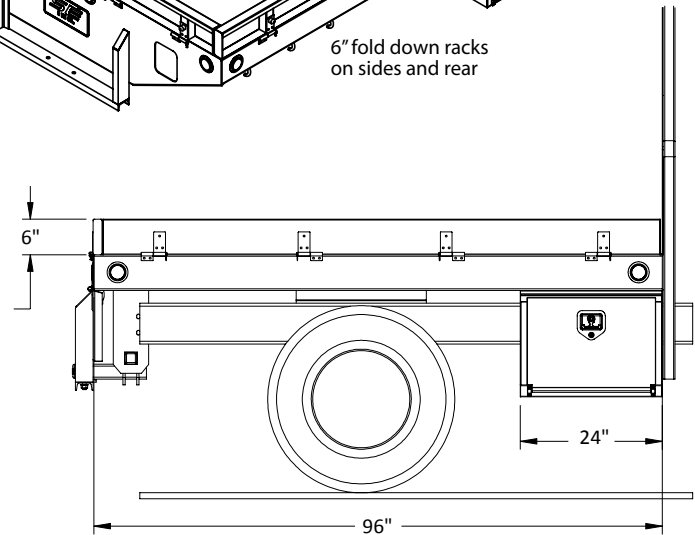
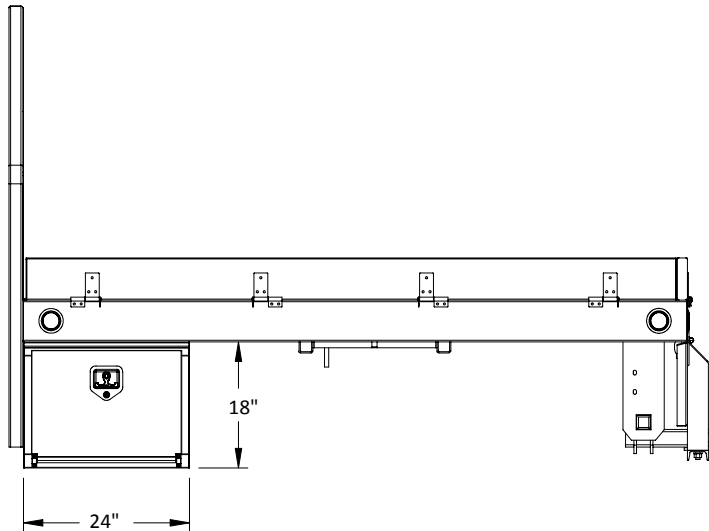
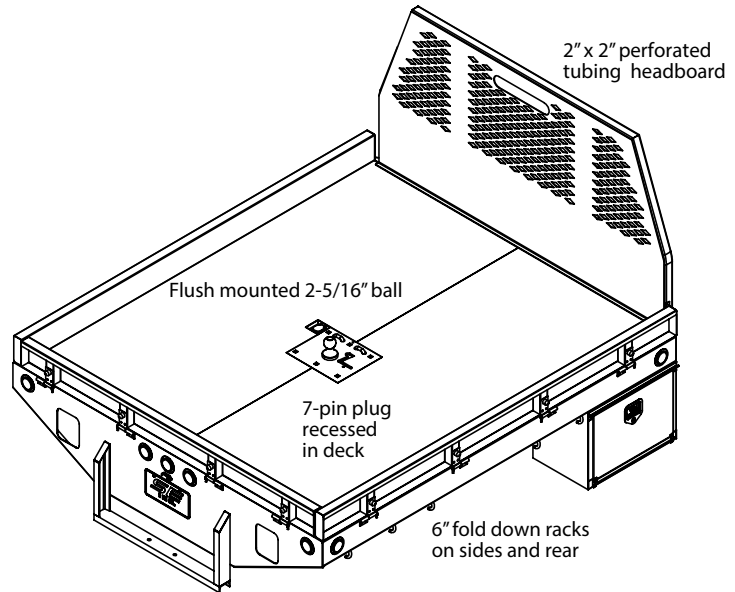
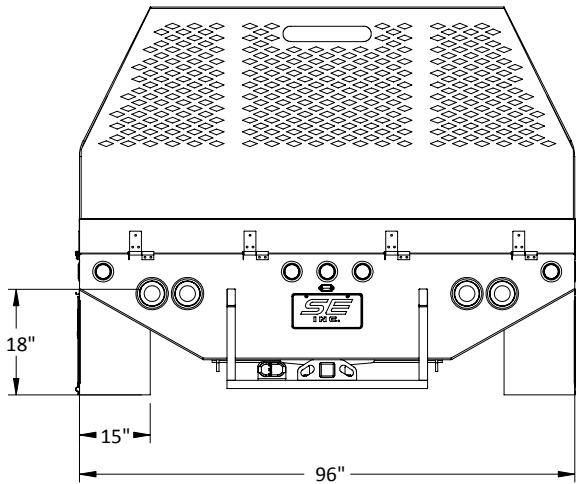
Photos may contain optional equipment - verify your specifications when you order. **Body Sizes:**

Flooring Choices:

- Standard flooring options are hardwood or diamond plate steel

- 7 ft x 8 ft
- 8 ft x 8 ft, as shown in photos with steel flooring and 6" fold down side racks
- 8 ft x 9 ft body is also available

Standard Specifications





Integrated gooseneck hitch with 2-5/16" ball plus side flip lid.

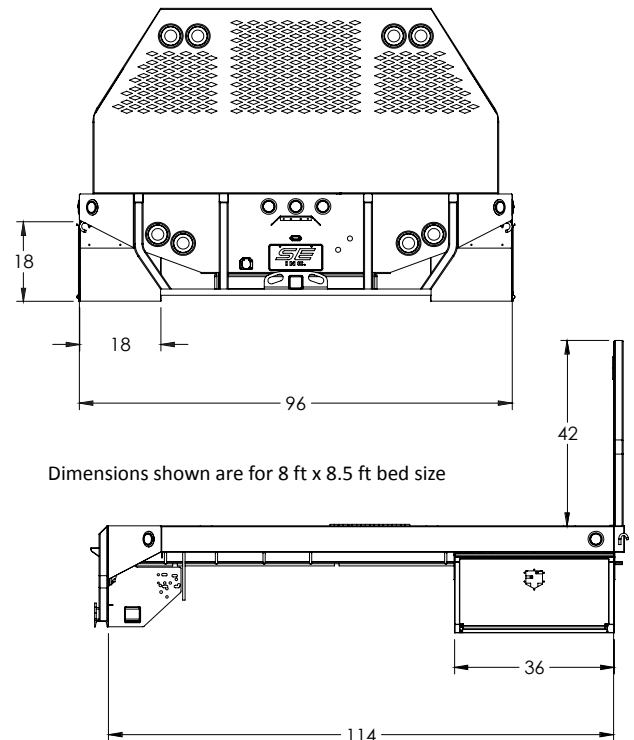
Photos may contain optional equipment verify your specifications when you order.

Standard Body Lengths and Specifications

Bed SIZE	Cab to Axle (CA)	Rear Wheel	Hitch	Tool Boxes
7 ft x 8.5 ft	56"	Single	Factory hitch and 7 way RV plug	30" Long x 18" High x 12" Deep tool box installed in front of rear wheels
8 ft x 8.5 ft	56"	Dual	Factory hitch and 7 way RV plug	30" Long x 18" High x 18" Deep tool box installed in front of rear wheels
8 ft x 9.5 ft	60"	Dual	Scelzi Class 5 hitch and 7 way RV plug	36" Long x 18" High x 18" Deep tool box installed in front of rear wheels
8 ft x 11.5 ft	84"	Dual	Scelzi Class 5 hitch and 7 way RV plug	48" Long x 18" High x 18" Deep tool box installed in front of rear wheels

Standard Equipment For All Sizes

- 1/8" Diamond Plate Cargo Floor & Sides
- Rear and Front 1/8" smooth steel tail plate w/6" tapered corners @ rear
- Front smooth steel 6" rail
- 4" x1/8" formed cross-members 6" integrated thick
- Longsills AJ Baer tapered stake pockets sides & rear
- Bolt-on tapered head board with LED seal
- Beam lights built into top corners of headboard – stop, turn, tail and back-up
- Rear tail apron with custom ICC Dock
- Bumper LED lights – stop, turn, tail and back-up
- Camera – installation
- All LED marker lights
- Integrated goose neck hitch with 2 5/16 ball recessed in floor with slide flip lid with 7 way RV plug #12707
- 1/2" Rope hook installed
- Black powder coated





Photos may contain optional equipment - verify your specifications when you order.

Standard Body Lengths and Specifications

Body Length:

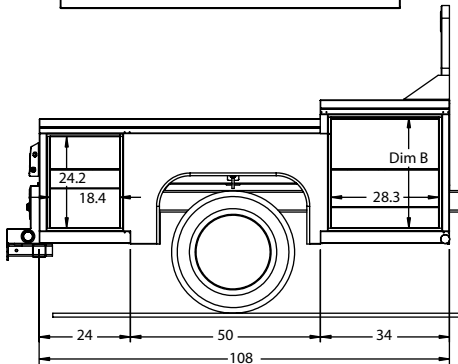
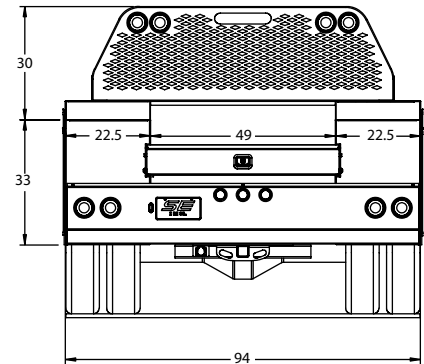
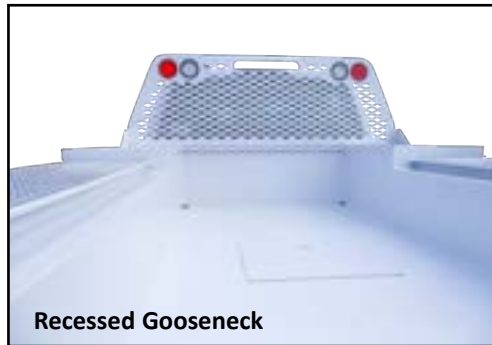
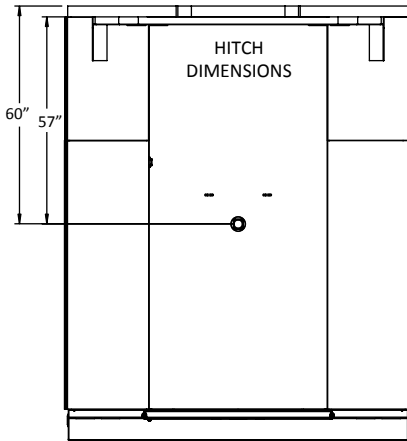
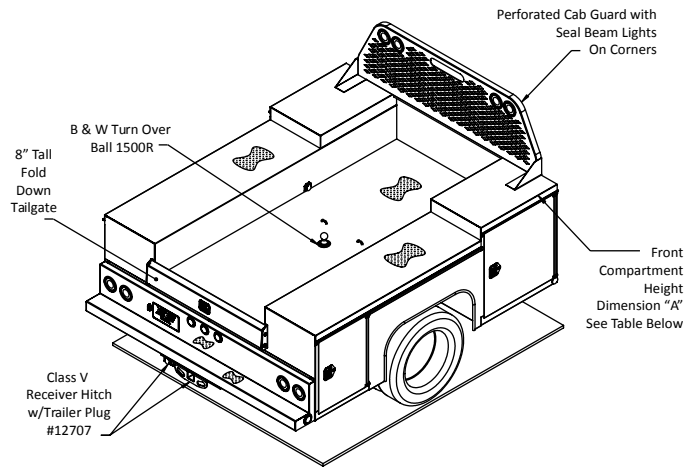
- 108 inches

Options

- Hitch can be B&W turn over ball 1500R.

Available Models:

- VO - Vertical Compartments with open tops.
- V - Vertical Compartments with close tops.



Model	Hitch Type Configuration	Dimensions	
		A	B
A	Recessed Gooseneck, shown above	33	24.2
B	B&W Turn Over Ball 1500R	33	24.2
C	Recessed Gooseneck, shown above	38	29.3
D	B&W Turn Over Ball 1500R	38	29.3

CONTRACTOR FLATBED Bodies



Photos may contain optional equipment - verify your specifications when you order.

CTFB-8/12 (84 CA) Standard Specifications

Other Widths/Lengths Available: 7/9 • 8/10 • 8/14

Body Dimensions:

- 8 ft Wide x 12 ft Long (144 inches)
- Other Bodies Available:
 - 7 ft Wide X 8.5 ft Long (108 inches) - 56 CA
 - 8 ft Wide X 10 ft Long (120 inches) - 60 CA
 - 8 ft Wide X 14 ft Long (168 inches) - 108 CA

Color:

- White

Flooring/Rack Choices:

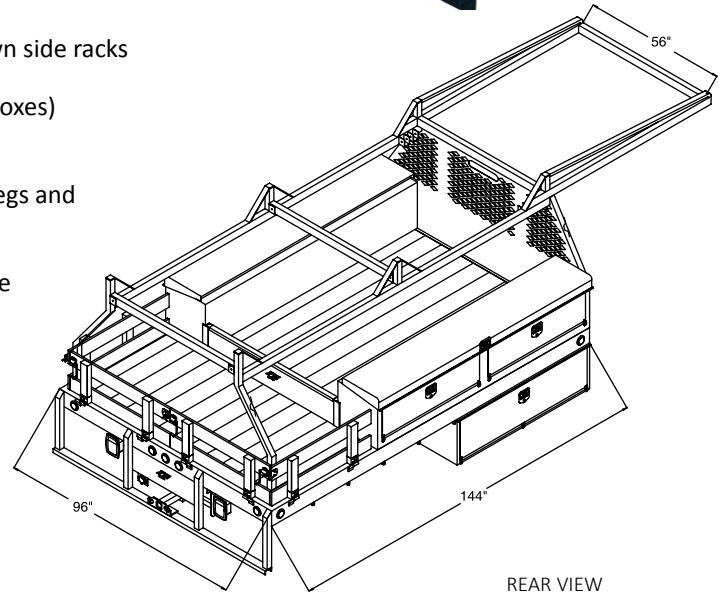
- Wood floor and fold down side racks
- OPTIONAL: Aluminum floor and fold down side racks

Tool Boxes:

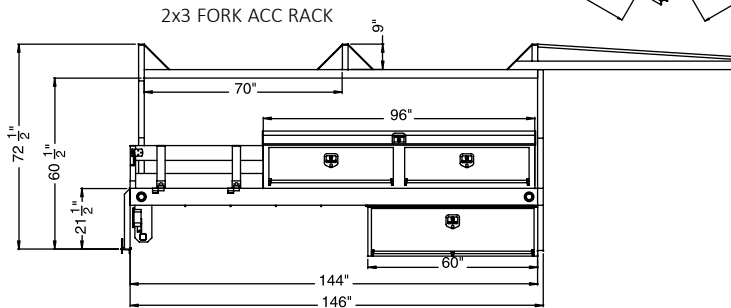
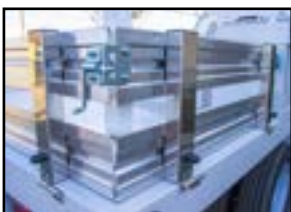
- 96" x 18" x 18" top mount, open top (2 boxes)
- 60" x 18" x 18" underbody (2 boxes)

Top Rack:

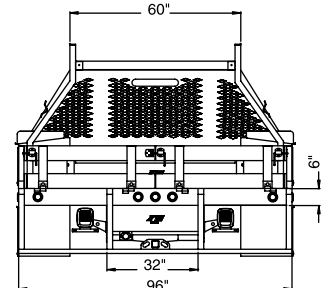
- Removeable 3" x 2" x 120" wall with 2" legs and
- 3" x 2" removeable crossbars
- Powder coated
- OPTIONAL: Standard or fork lift accessible material rack
- NOTE: No warranties offered on wood products



15" FOLD DOWN SIDE RACKS
STAINLESS STEEL STAKES



REAR VIEW



All drawings reflect dimensions for the most popular applications

SUPER CONTRACTOR FLATBED Bodies



Photos may contain optional equipment - verify your specifications when you order.

SCTFB-8/12 (84 CA) Standard Specifications

- Body Dimensions:**
- 8 ft Wide x 12 ft Long (144 inches)
 - 8 ft Wide x 14 ft Long also available
- Color:**
- White
- Flooring/Rack Choices:**
- Wood floor and fold down side racks
 - OPTIONAL: Aluminum floor and fold down side racks
- Tool Boxes:**
- 96" x 30" x 20" top mount, closed top (2 boxes)
 - 96" x 13" x 20" Shovel box - full length opening
 - 60" x 18" x 18" underbody (2 boxes)
- Compartments:**
- Bottom compartments with 1 roller drawer and 1 adjustable shelf on each side
- Top Rack:**
- Removeable 3" x 2" x 120" wall with 2" legs and 3" x 2" removeable crossbars
 - Powder coated
 - OPTIONAL: Standard or fork lift accessible material rack
 - NOTE: No warranties offered on wood products



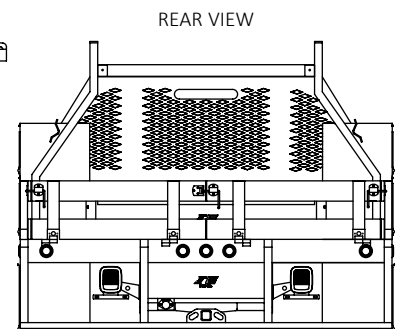
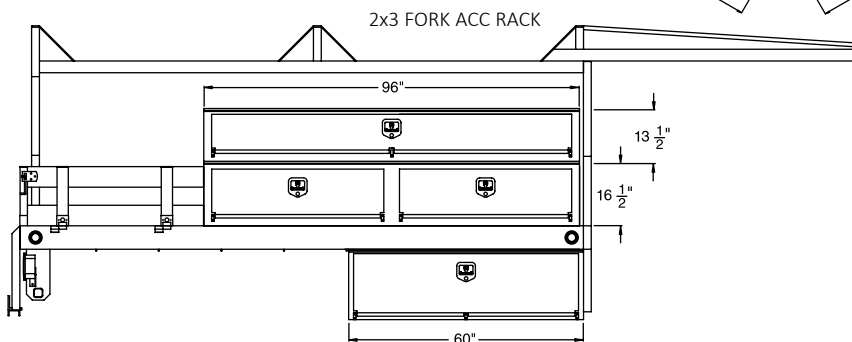
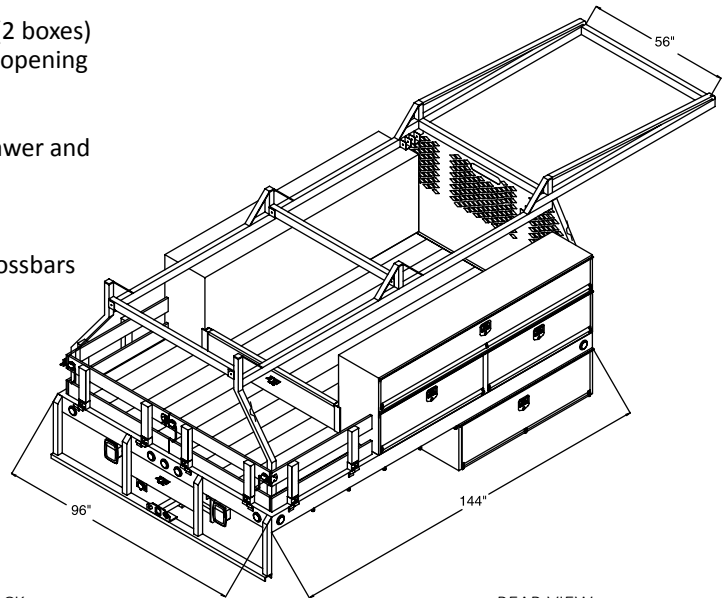
Standard Item In Boxes For This Model Only



15" Fold Down Side Racks With Aluminum Slats and Stainless Steel Stakes



Wood Slats With Stainless Steel Stakes



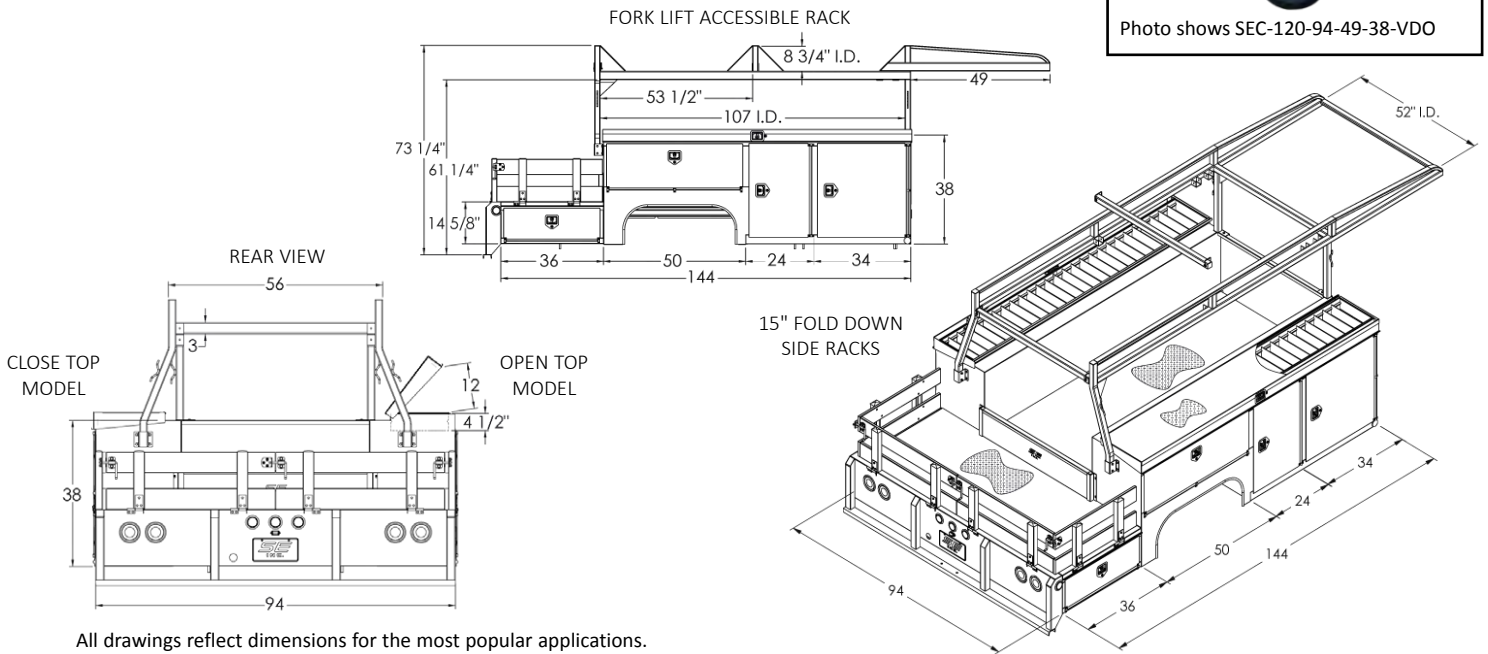
COMBO Service Bodies



Photos may contain optional equipment - verify your specifications when you order.

SEC-144 12 ft (84 CA) Standard Specifications
Other Widths/Lengths Available: 9 ft • 10 ft • 14ft

- Body Dimensions:**
- 144 inches Long (12 ft) x 94 or 96 inches Wide
 - Other Bodies Available:
 - SEC-110 9 ft Long - 56-60 CA
 - SEC-120 10 ft Long - 60 CA
 - SEC-168 14 ft Long - 108 CA
- Rear Wheel:**
- Dual
- Color:**
- White
- Side Racks:**
- Steel floor with wood fold down side racks
 - OPTIONAL: Aluminum fold down side racks
- Storage Compartments:**
- Aluminum diamond plate on top
 - Height: 38 inches high
- Top Rack:**
- Powder coated ladder rack

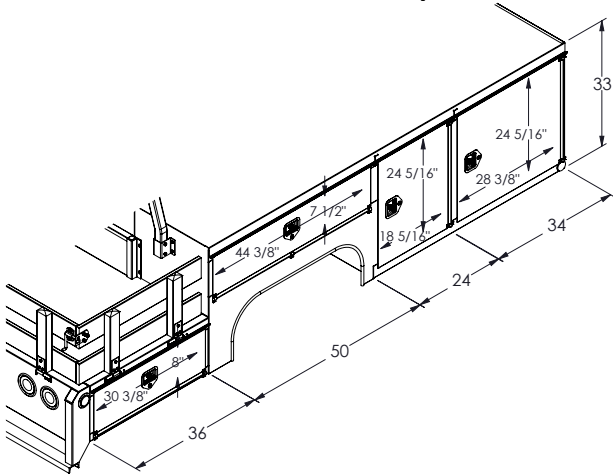


All drawings reflect dimensions for the most popular applications.

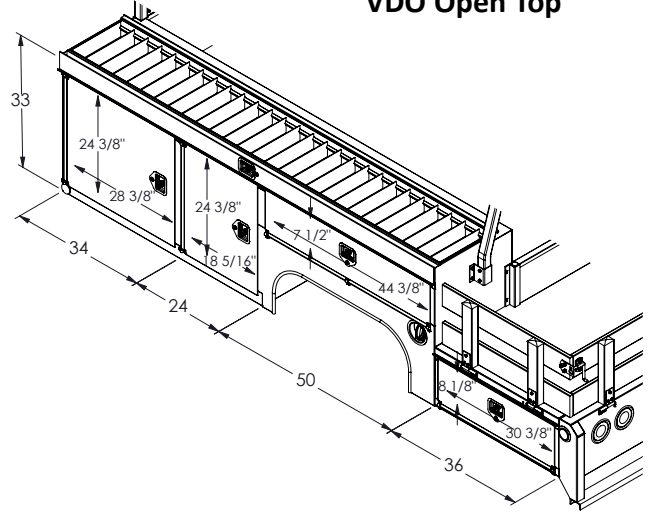
Combo Body Configuration Options



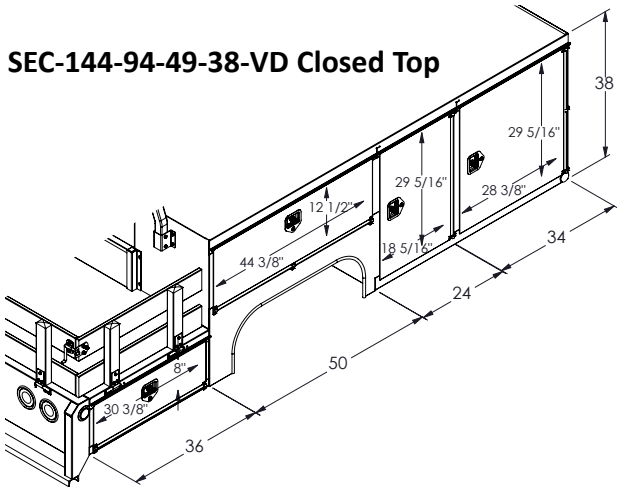
SEC-144-94-49-33-VD Closed Top



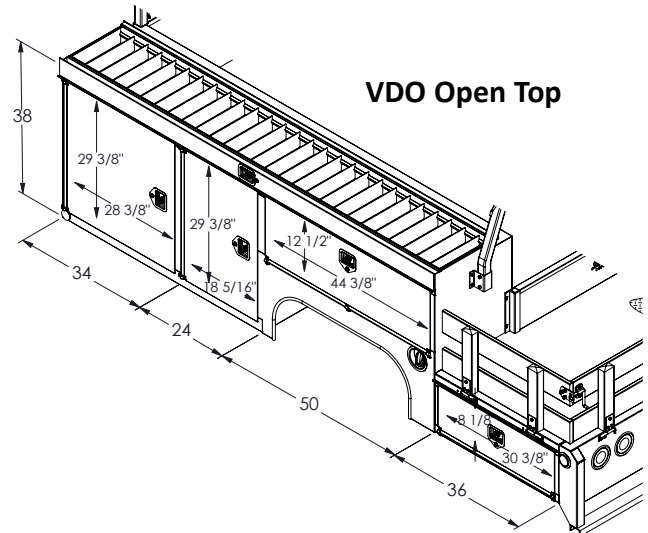
VDO Open Top



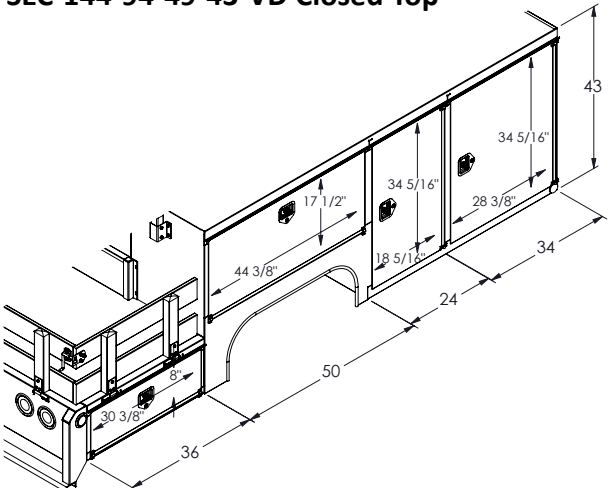
SEC-144-94-49-38-VD Closed Top



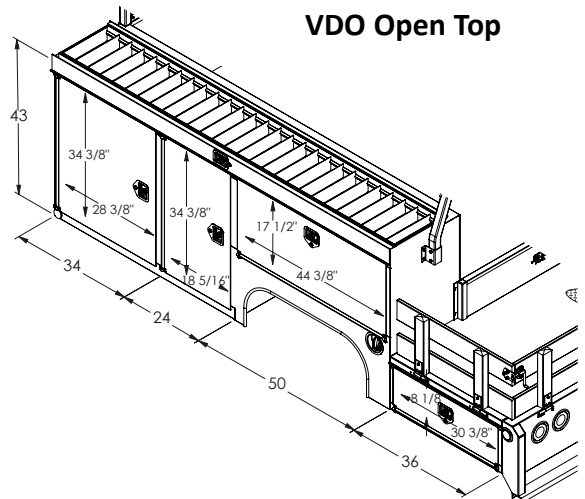
VDO Open Top



SEC-144-94-49-43-VD Closed Top



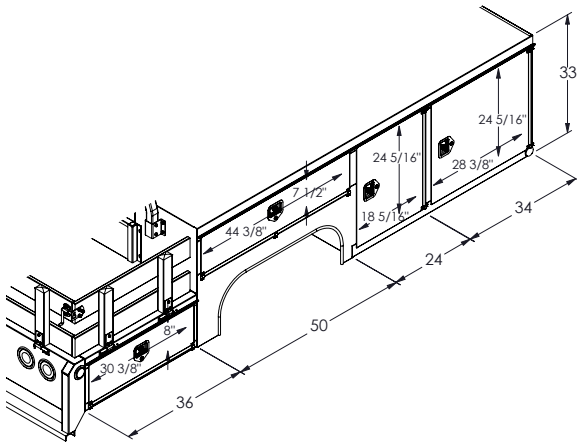
VDO Open Top



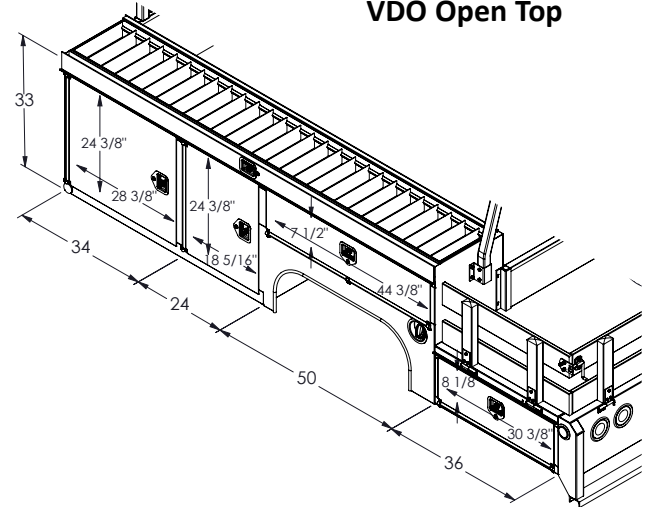
Combo Body Configuration Options



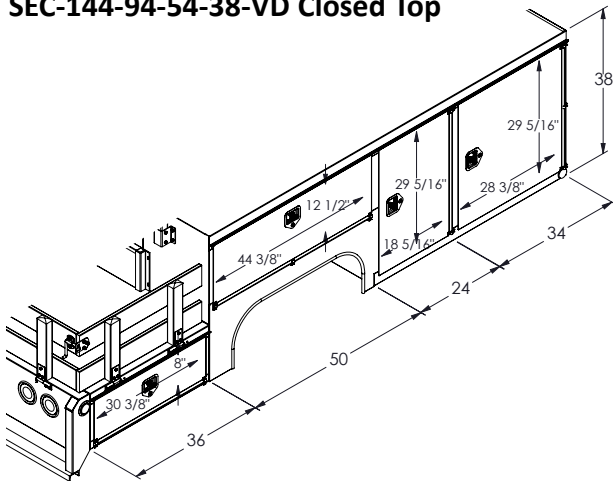
SEC-144-94-54-33-VD Closed Top



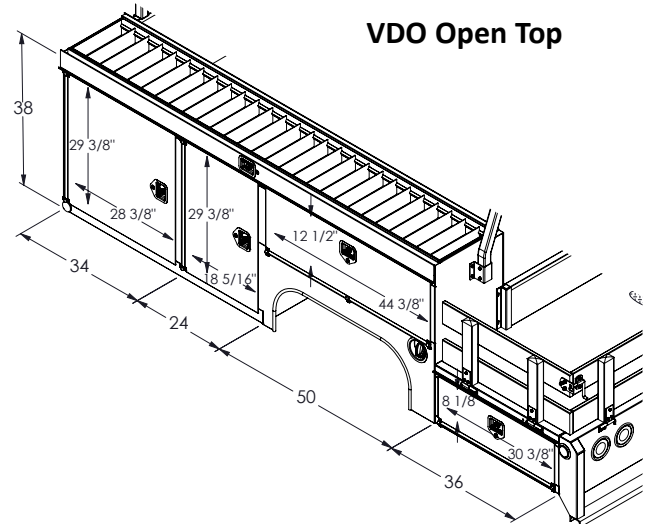
VDO Open Top



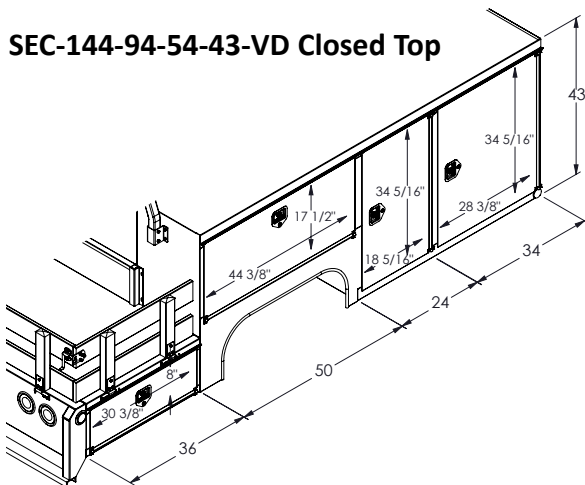
SEC-144-94-54-38-VD Closed Top



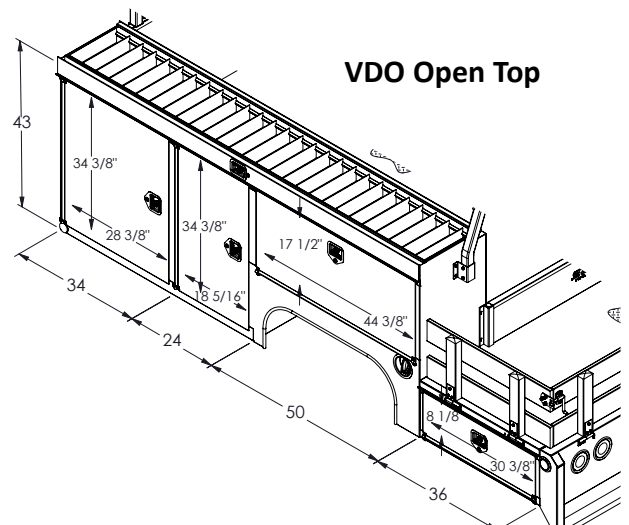
VDO Open Top



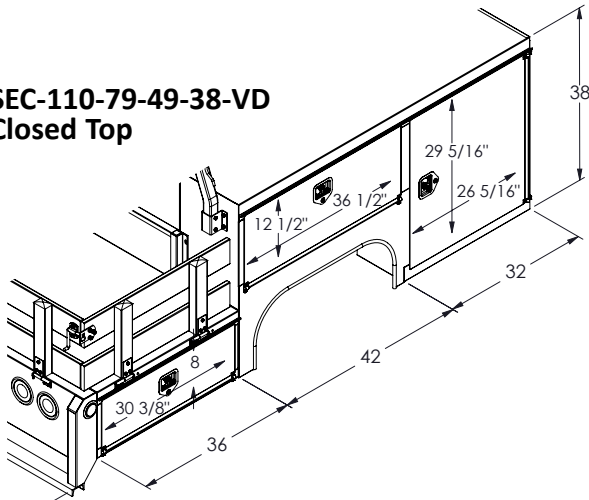
SEC-144-94-54-43-VD Closed Top



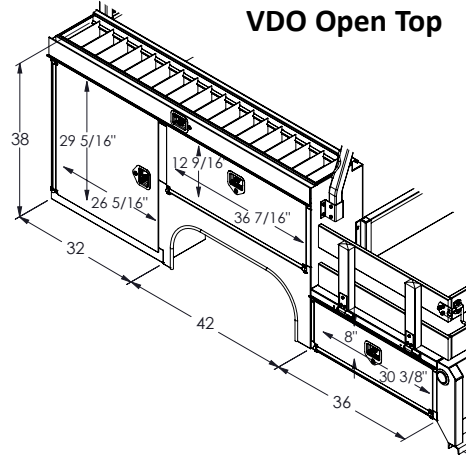
VDO Open Top



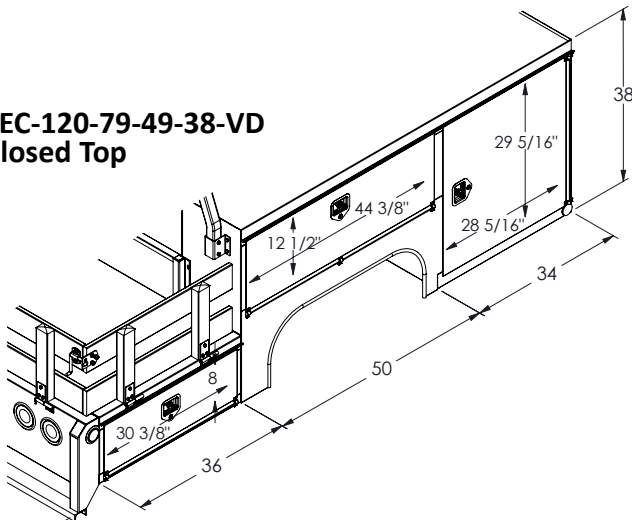
**SEC-110-79-49-38-VD
Closed Top**



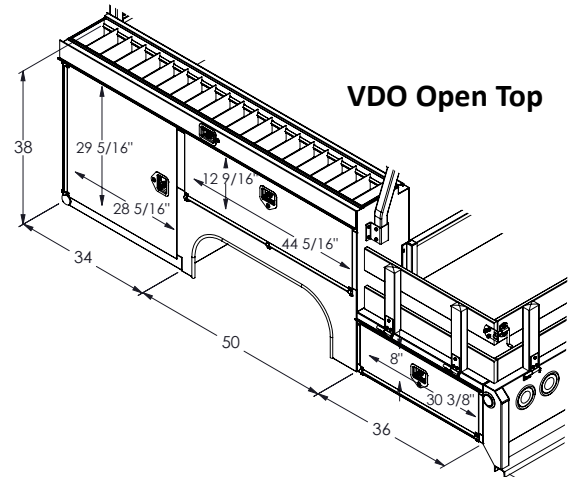
VDO Open Top



**SEC-120-79-49-38-VD
Closed Top**

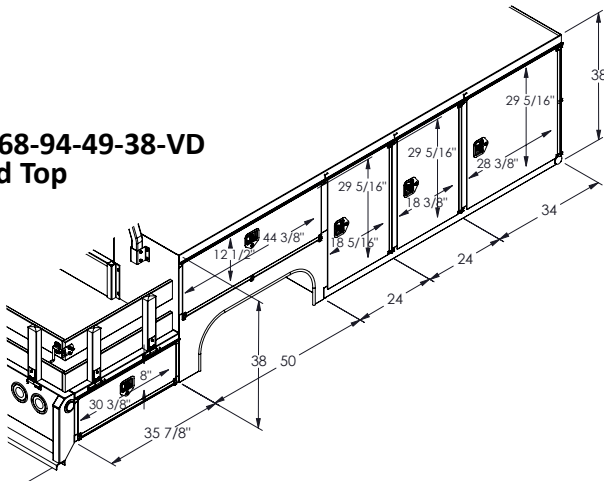


VDO Open Top

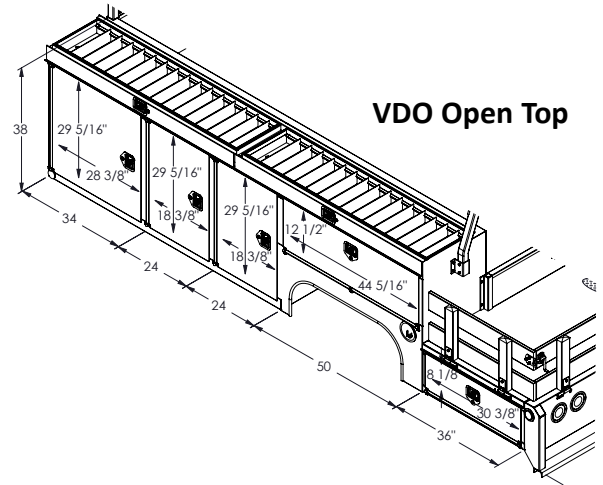


Combo Body Configuration Options

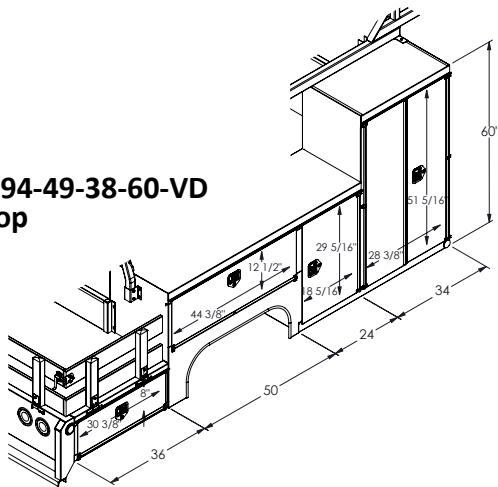
SEC-168-94-49-38-VD
Closed Top



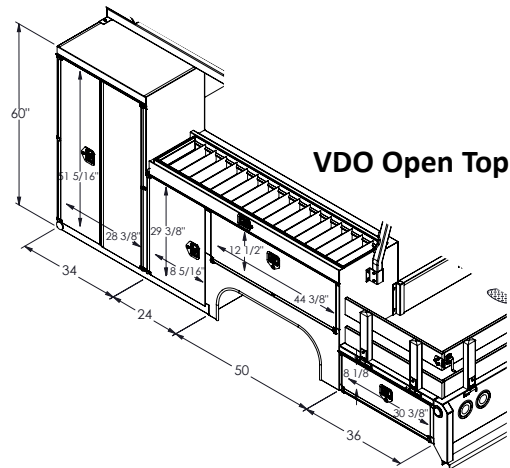
VDO Open Top



SEC-144-94-49-38-60-VD
Closed Top



VDO Open Top



Standard Features On All Scelzi Signature Truck Bodies



Open tops - open top lids of 16 gauge galvanized metal with smooth tops, "Z" style hat section, using 18 gauge inner panel, with aluminum diamond plate overlay. Scelzi Enterprises has the strongest open tops in the industry. Heavy duty gas shocks 2 per open top for easy door opening. 4 1/2" deep open top tray.

Doors - double panel door 18 gauge outer, 20 gauge inner laminated together for greater durability "Z" style hat section for extra strength. Doors mounted using stainless steel hinge block with nylon insert, stainless steel self sealing mono bolt, and 5/16 stainless steel full length door shaft.



Door Seals - Special design contour - Neoprene seal inside the door.

1/8 x 1/2 rubber stops the door from chaffing against the body.

Gas shocks on open top compartments and vertical doors.

Tailgate - heavy duty self leveling tailgate with 12 gauge diamond plate inner panel and 1/4" stainless steel end cap.

Tailgate bracket - 10 gauge stainless steel.

Stainless steel hinge block with nylon insert



Scelzi Signature Service Body Is Shown

Shelves - 16 gauge galvanized with return flange curl. Shelf brackets are 12 gauge galvanized.

Shelves are Heavy duty lock-in-place

All vertical compartments have 2 adjustable shelves, horizontal compartments have 1 adjustable shelf

All shelves are adjustable on 2" centers

Three point latching system on all compartment doors.

Tail hinges on 5/8" stainless steel Allen Head Shoulder Bolt with 5/8" Bronze Bushing.

Seal-beam type tail, clearance and back-up lights.

All bodies equipped with a six-inch step bumper. Powder coated grey.

Superior underbody construction using thicker gauge steel and more cross-members than other truck body builders

Additional Signature Body Features:

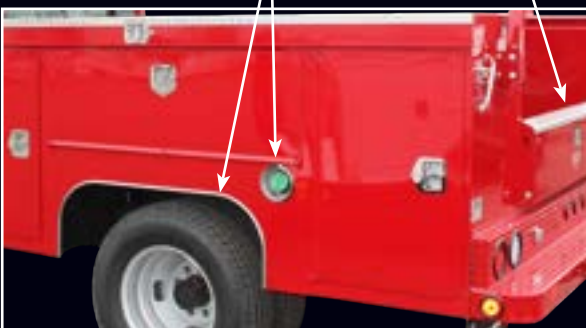
- Six-point mounting on 8 and 9 foot bodies. Eight point mounting on 11 and 13 foot bodies.
- All beds are caulked with Ultra Neoprene sealers, and the underside of the bed and wheel wells are under-sealed before the bed is installed
- Multiple coats of primer and urethane paint are added for longest durability

Chrome Scelzi T-Bar handle latches with polished rivet-free stainless steel pockets and Galvanized steel locking rods

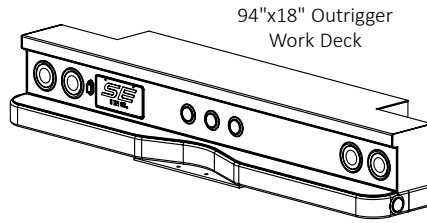


Three-year bulkhead to bumper warranty

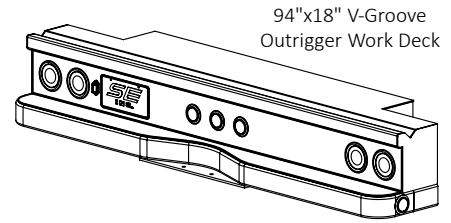
All compartment doors equipped with barrel locks



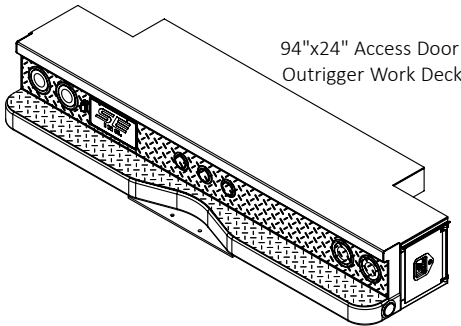
Work Decks



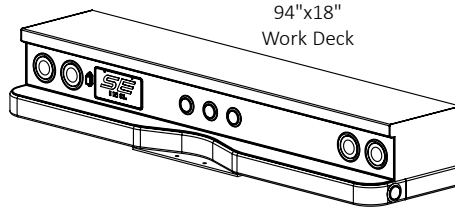
94"x18" Outrigger Work Deck



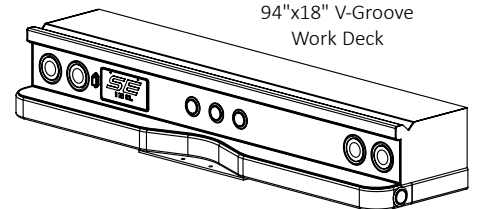
94"x18" V-Groove Outrigger Work Deck



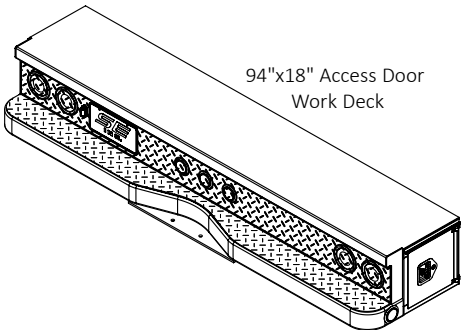
94"x24" Access Door Outrigger Work Deck



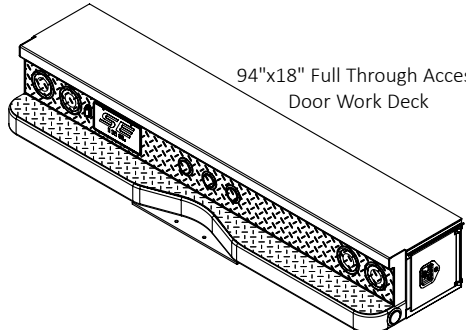
94"x18" Work Deck



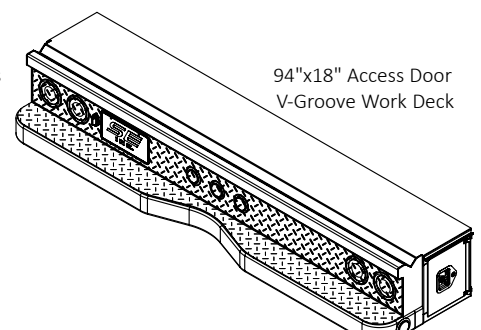
94"x18" V-Groove Work Deck



94"x18" Access Door Work Deck

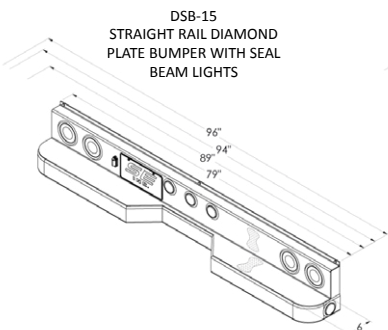


94"x18" Full Through Access Door Work Deck

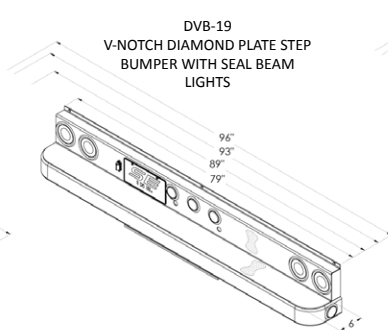


94"x18" Access Door V-Groove Work Deck

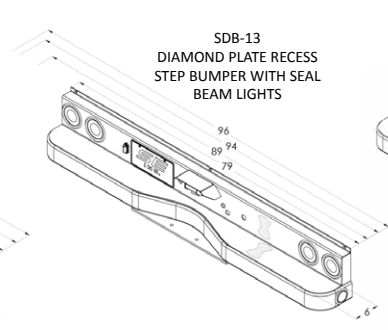
Bumpers



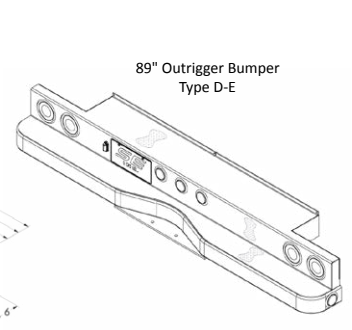
DSB-15
STRAIGHT RAIL DIAMOND
PLATE BUMPER WITH SEAL
BEAM LIGHTS



DVB-19
V-NOTCH DIAMOND PLATE STEP
BUMPER WITH SEAL BEAM
LIGHTS



SDB-13
DIAMOND PLATE RECESS
STEP BUMPER WITH SEAL
BEAM LIGHTS



89" Outrigger Bumper
Type D-E

Other bumper style options available, but not shown



Photos may contain optional equipment - verify your specifications when you order.

SINGLE REAR WHEEL

Standard Specifications

Body Dimensions Available:

SB-80	80 Inches Long x 79 Inches Wide	40 CA
SB-98	98 Inches Long x 79 Inches Wide	56 CA
SB-108	108 Inches Long x 79 Inches Wide	60 CA

Compartment Height: 38 inches high is standard
Options: 33 and 43 inch high compartments are available as a special order.

Rear Wheel: Single

Color: White

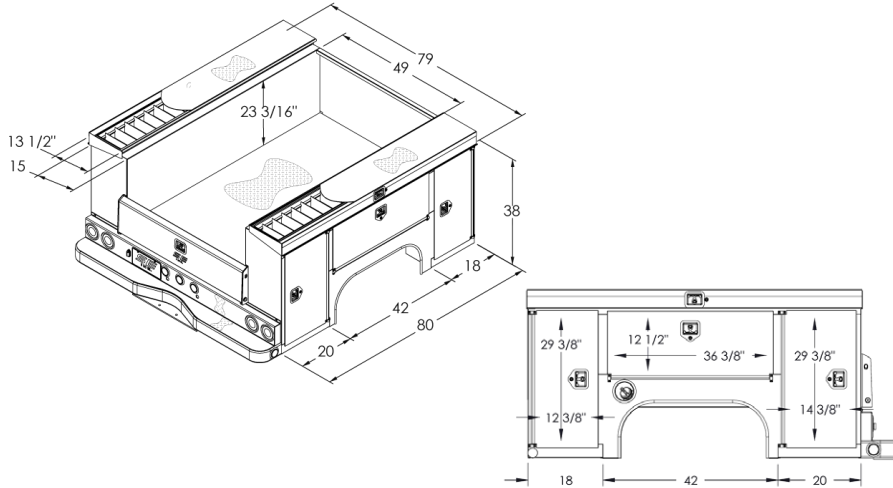
Storage Compartments: Aluminum diamond plate on top
See page 31 for tool box configuration options

Optional Top Rack: Powder coated over the cab contour material rack

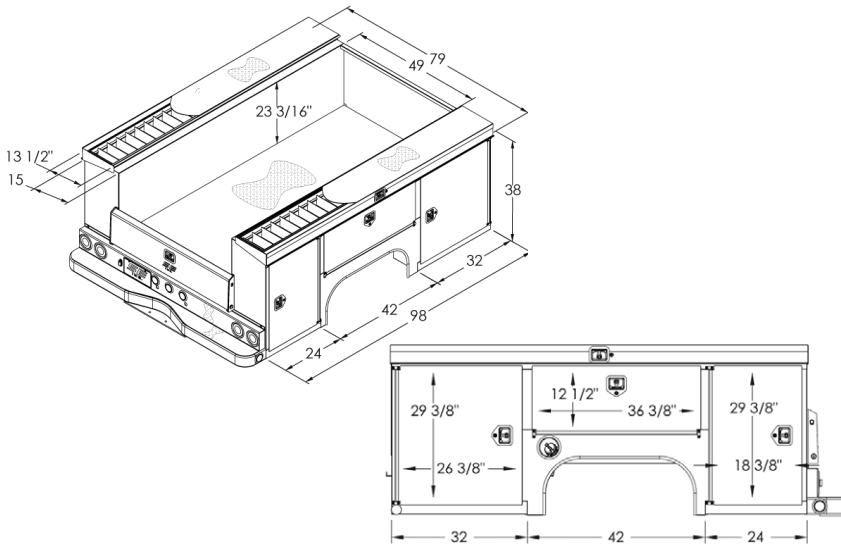
Style	Orientation	Tops
VO	Vertical	Open
HO	Horizontal	Open
V	Vertical	Closed
H	Horizontal	Closed



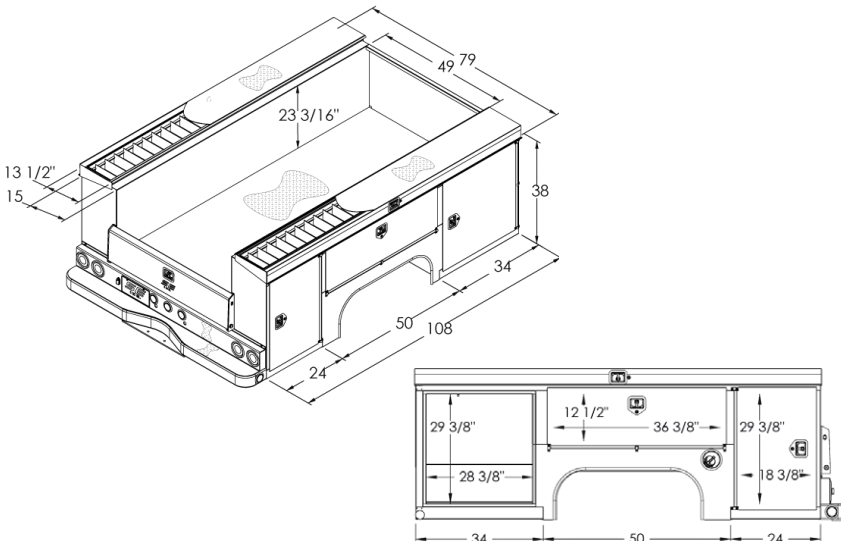
SB-80 Most Common Dimensions (SB-80-79-49-38-VO)



SB-98 Most Common Dimensions (SB-98-79-49-38-VO)



SB-108 Most Common Dimensions (SB-108-79-49-38-VO)





Photos may contain optional equipment - verify your specifications when you order.

DUAL REAR WHEEL

Standard Specifications

Body Dimensions Available:	SBD-98	98 Inches Long x 96 Inches Wide	56 CA
	SBD-108	108 Inches Long x 94 Inches Wide	60 CA
	SBD-132	132 Inches Long x 94 Inches Wide	84 CA
	SBD-156	156 Inches Long x 94 Inches Wide	108 CA

Compartment Height: 38 inches high is standard
Options: 33 and 43 inch high compartments are available as a special order.

Rear Wheel: Dual

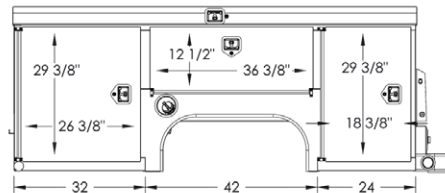
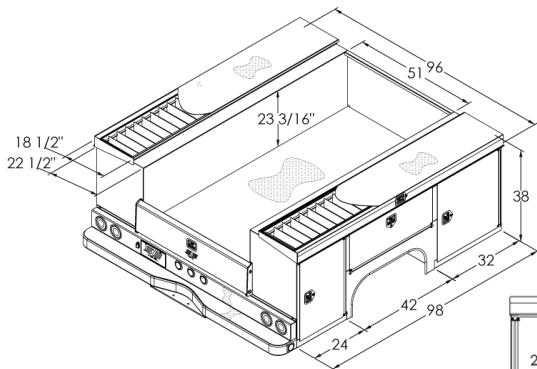
Color: White

Storage Compartments: Aluminum diamond plate on top
See page 31 for tool box configuration options

Optional Top Rack: Powder coated over the cab contour material rack

Style	Orientation	Tops
VO	Vertical	Open
HO	Horizontal	Open
V	Vertical	Closed
H	Horizontal	Closed

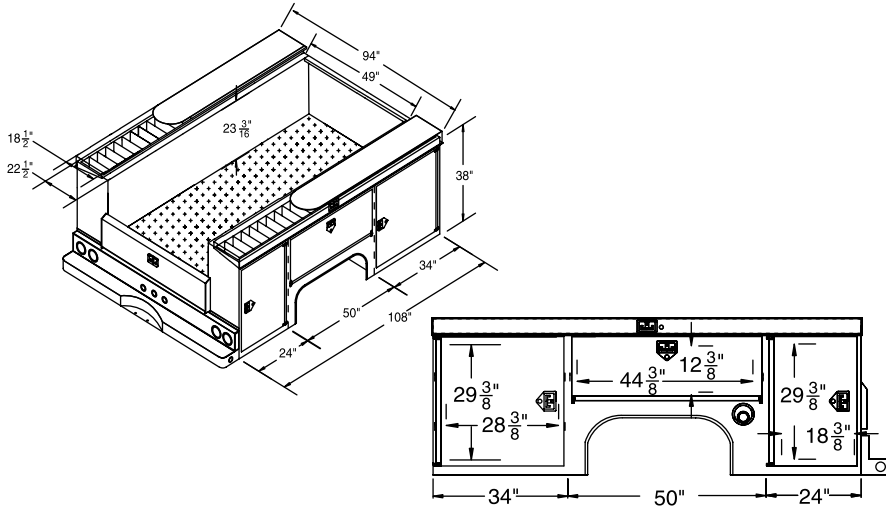
SBD-98 Most Common Dimensions (SBD-98-96-51-38-VO)



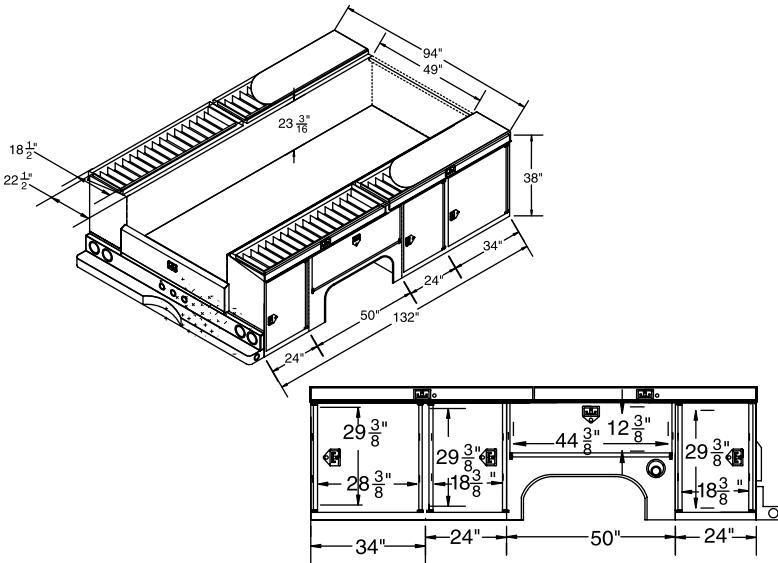
SIGNATURE SERVICE Bodies - DUAL



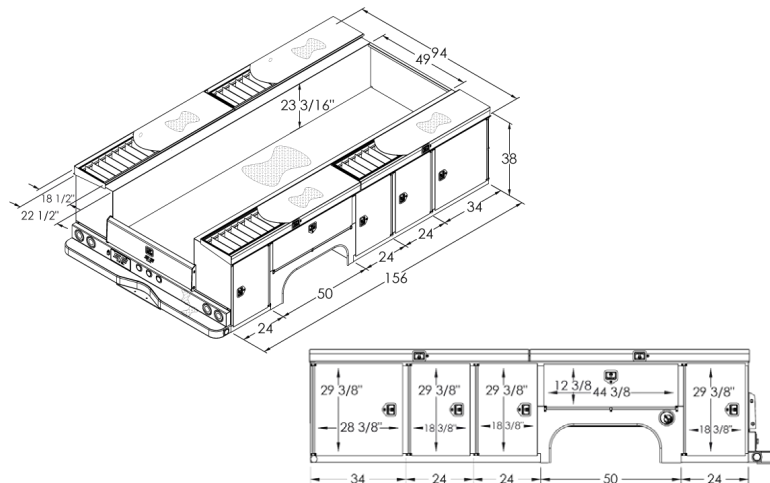
SBD-108 Most Common Dimensions (SBD-108-94-49-38-VO)



SBD-132 Most Common Dimensions (SBD-132-94-49-38-VO)



SBD-156 Most Common Dimensions (SBD-156-94-49-38-VO)



CROWN SERIES SERVICE Bodies



Photos may contain optional equipment - verify your specifications when you order.

SINGLE REAR WHEEL

Standard Specifications

Body Dimensions Available:

SBCR-98

98 Inches Long x 79 Inches Wide 56 CA

SBCR-108

108 Inches Long x 79 Inches Wide 60 CA

Compartment Height: 38 inches high only

Rear Wheel: Single

Color: White

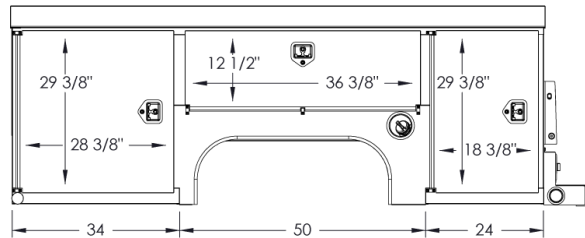
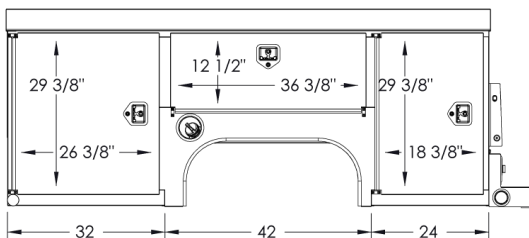
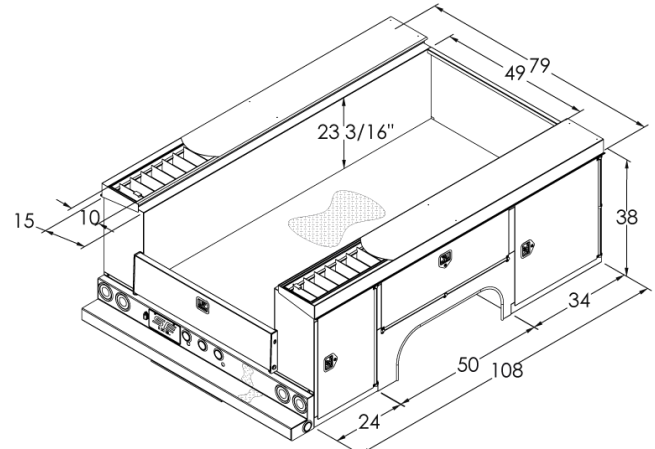
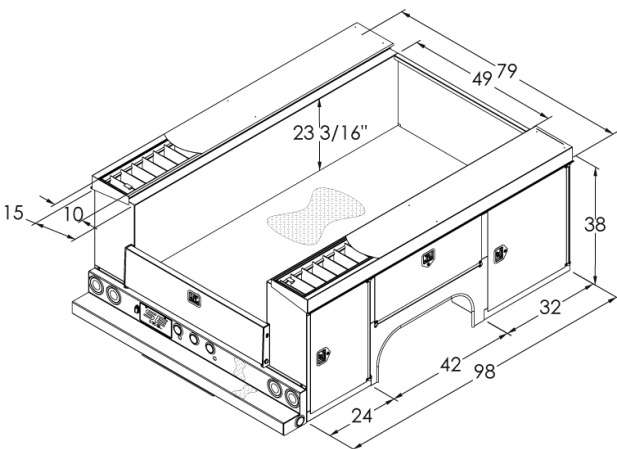
Storage Compartments: Aluminum diamond plate on top (additional charge)

Optional Top Rack: Powder coated over the cab contour material rack

Style	Orientation	Tops
VO	Vertical	Open
HO	Horizontal	Open
V	Vertical	Closed
H	Horizontal	Closed

SBCR-98 (SBCR-98-79-49-38-VO)

SBCR-108 (SBCR-108-79-49-38-VO)



CROWN SERIES SERVICE Bodies - DUAL



Photos may contain optional equipment - verify your specifications when you order.

DUAL REAR WHEEL

Standard Specifications

Body Dimensions Available:

SBDCR-108	108 Inches Long x 94 Inches Wide	60 CA
SBDCR-132	132 Inches Long x 94 Inches Wide	80 CA

Compartment Height: 38 inches high only

Rear Wheel: Dual

Color: White

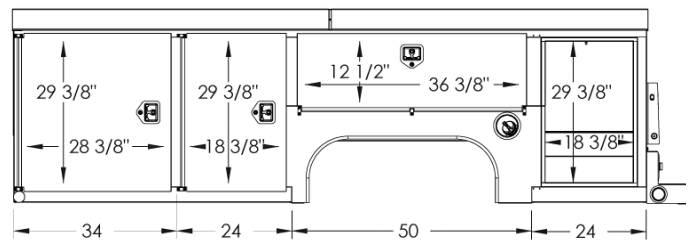
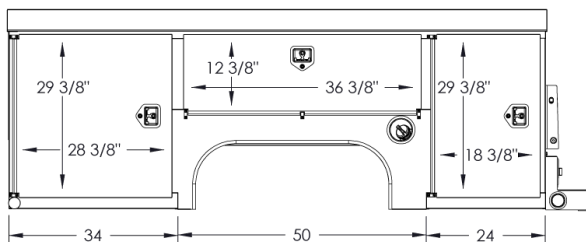
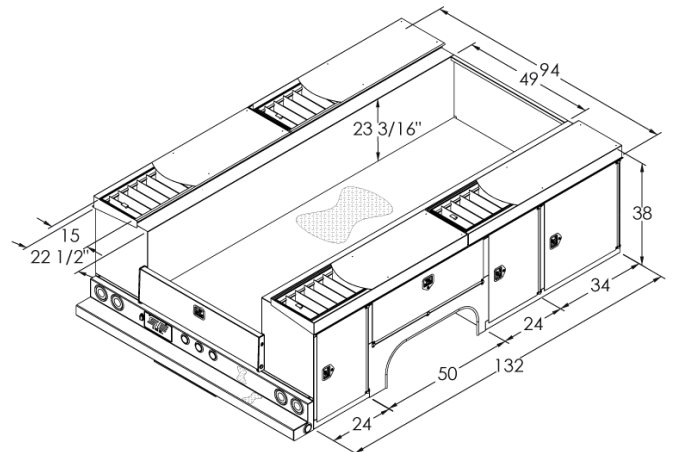
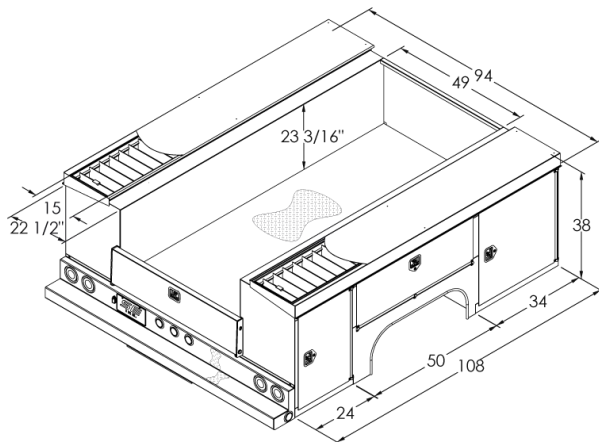
Storage Compartments: Aluminum diamond plate on top (optional)

Optional Top Rack: Powder coated over the cab contour material rack

Style	Orientation	Tops
VO	Vertical	Open
HO	Horizontal	Open
V	Vertical	Closed
H	Horizontal	Closed

SBDCR-108 (SBDCR-108-94-49-38-VO)

SBDCR-132 (SBDCR-132-94-49-38-VO)



SIGNATURE SERVICE Body Insert



Photos may contain optional equipment - verify your specifications when you order.

Service Body Custom Dump Insert 2 Cubic Yard Capacity

Body Dimensions:

SB-98-79-49-38

Length = 99.5 inches

56 CA

SB-108-79-49-38

Length=109.5 inches

60 CA

Style	Orientation	Tops
VO	Vertical	Open
V	Vertical	Closed

Construction:

- 44" Wide Inside x 21" Sides x 22" Tail Gate x 21" Bulkhead
- 12 Ga. Steel Throughout
- 21" Bulkhead
- 22" Double Acting Tailgate with formed brace
- 3 Flange Top Rail
- Beveled Floor Corners at sides
- 4" channel crossmembers
- 5" Long Sills
- Pinned Tailgate Locks

Color:

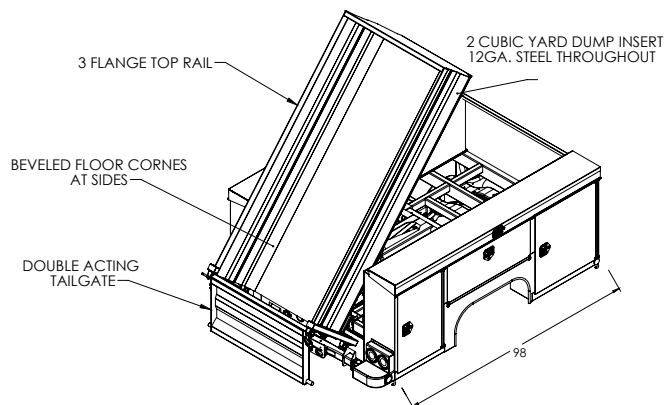
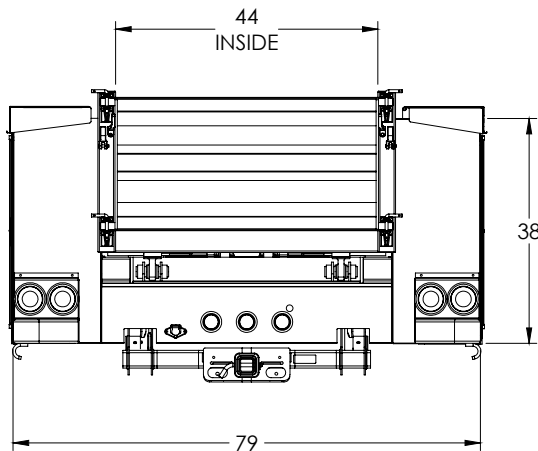
- White is standard

Hoist:

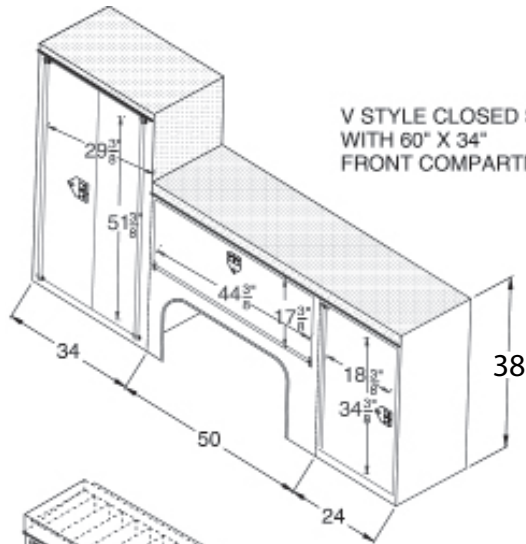
- Scelzi CS412T-11 electronic over hydraulic single acting hoist 4.1 ton capacity
- Full steel sub-frame integrated into service body understructure
- Double acting, Power Up/Down
- LED Body Raised Warning Light



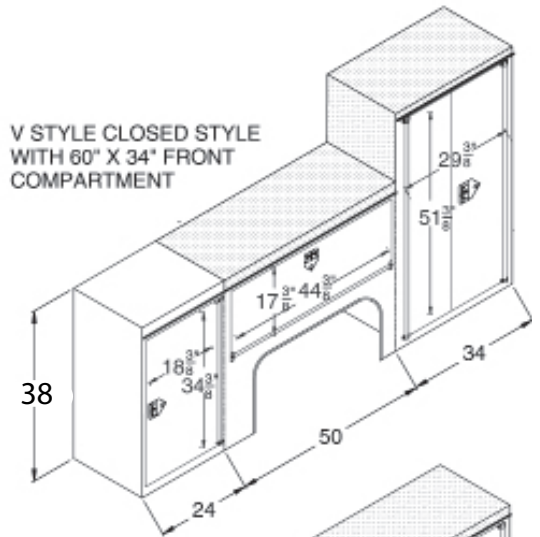
Dimensions for
SB-98-79-49-38-VO
2 CUBIC YARD DUMP INSERT



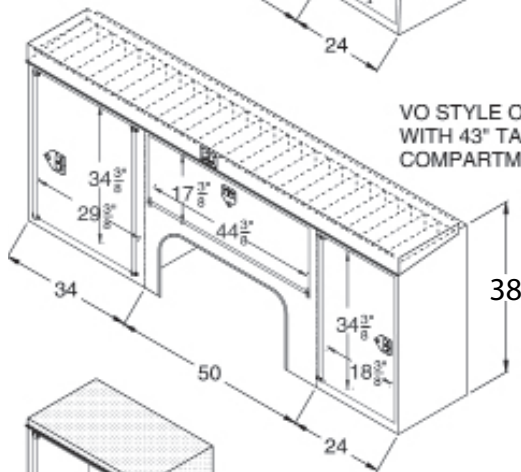
Dimensions shown represent 38" tall body with 22- $\frac{1}{2}$ " wide compartments. Optional 20" wide compartments available.



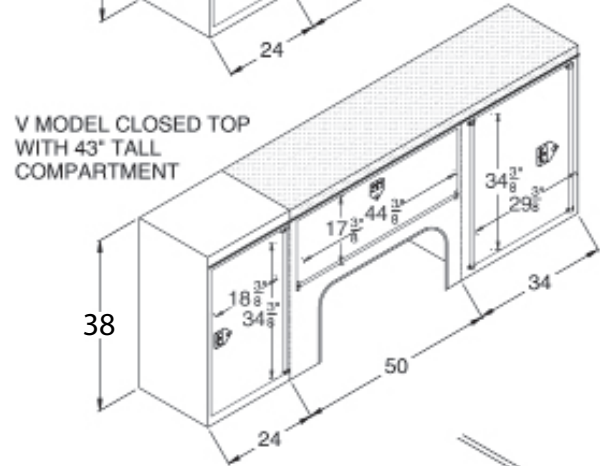
V STYLE CLOSED STYLE
WITH 60" X 34"
FRONT COMPARTMENT



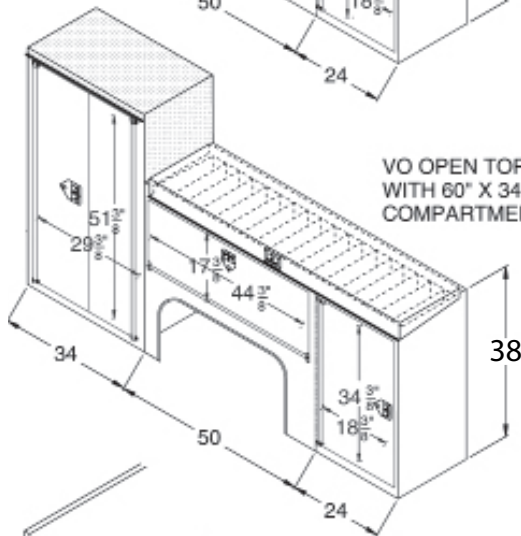
V STYLE CLOSED STYLE
WITH 60" X 34" FRONT
COMPARTMENT



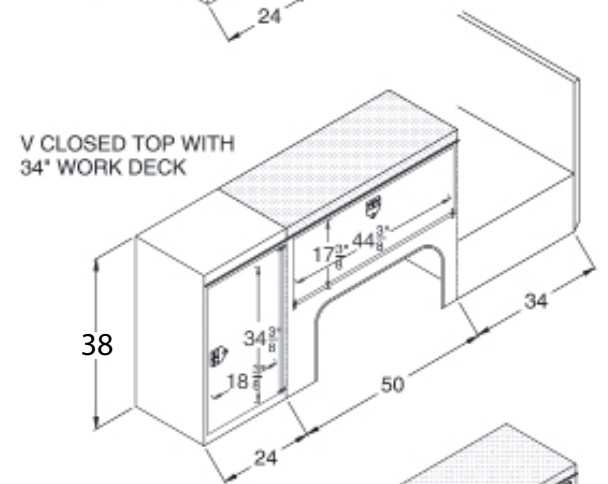
VO STYLE OPEN TOP
WITH 43" TALL
COMPARTMENT



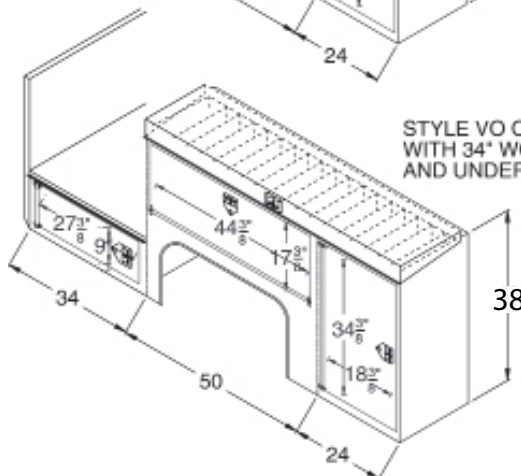
V MODEL CLOSED TOP
WITH 43" TALL
COMPARTMENT



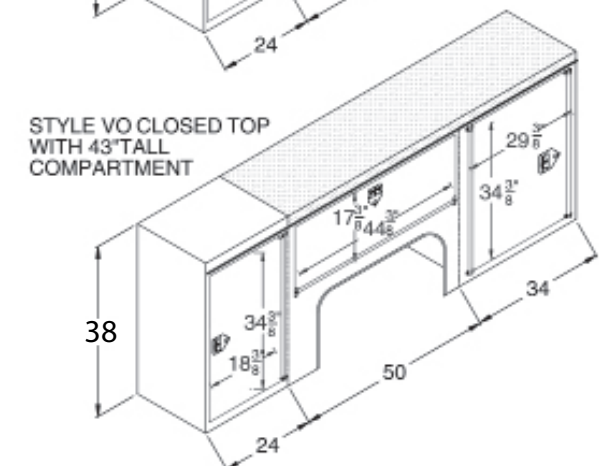
VO OPEN TOP STYLE
WITH 60" X 34" TALL
COMPARTMENT



V CLOSED TOP WITH
34" WORK DECK



STYLE VO OPEN TOP
WITH 34" WORK DECK
AND UNDER BODY BOX

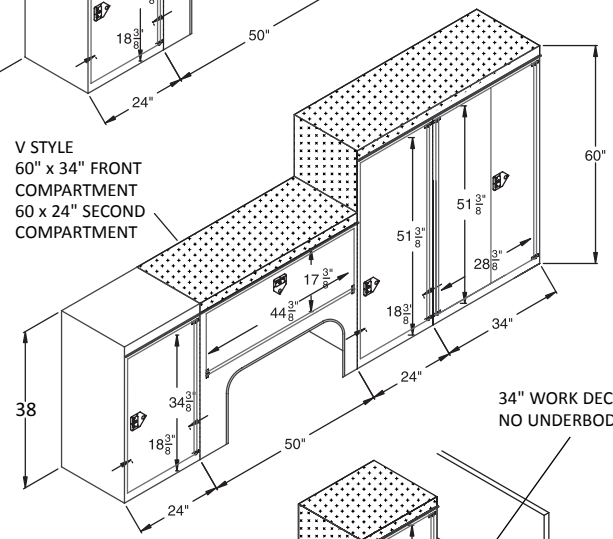
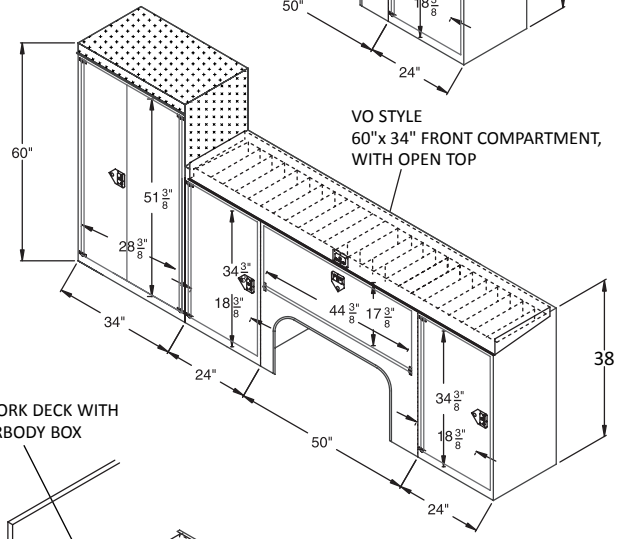
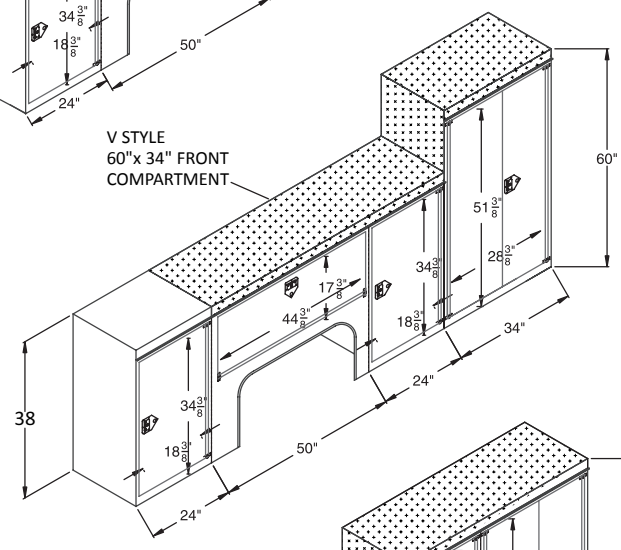
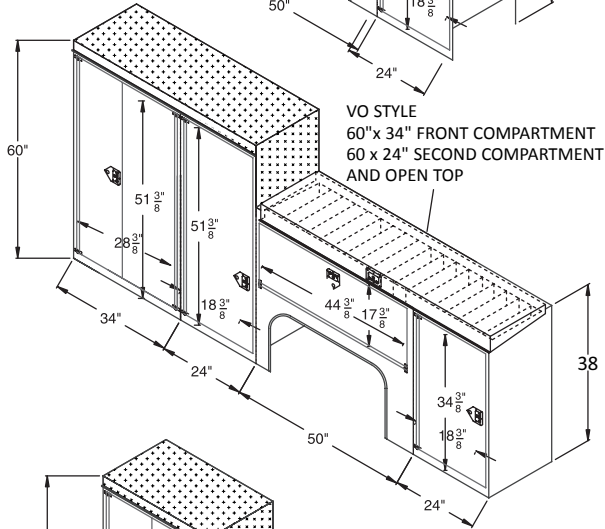
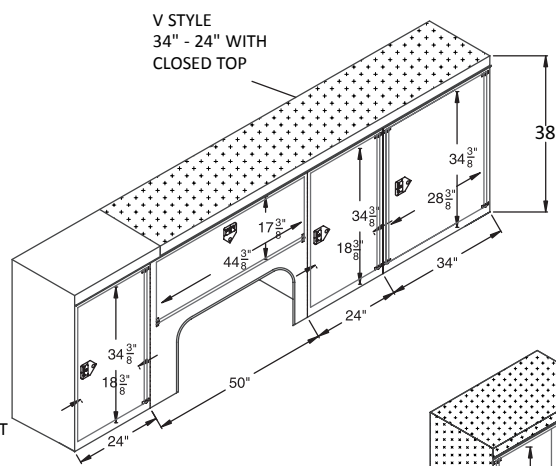
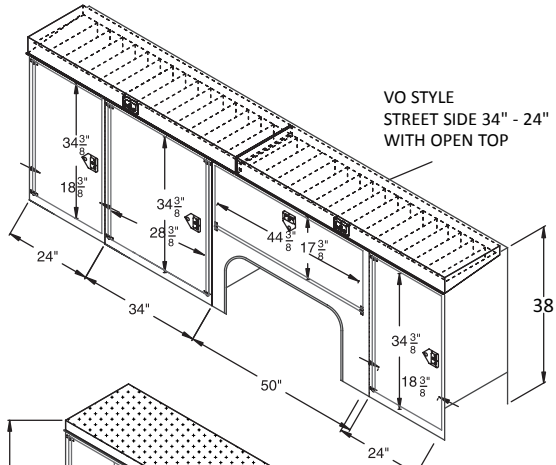


STYLE VO CLOSED TOP
WITH 43" TALL
COMPARTMENT

Crane and Signature Service Body Configuration Options

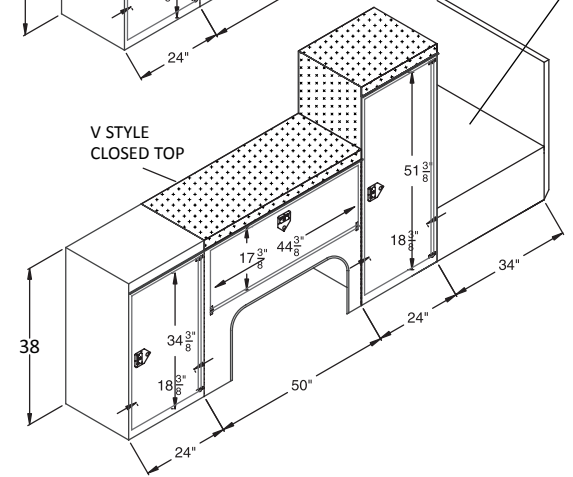
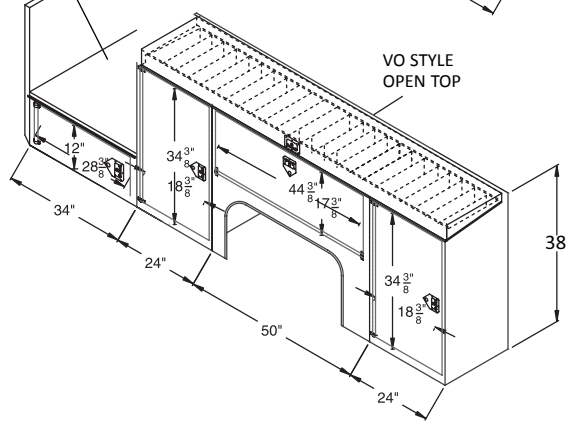


Dimensions shown represent 38" tall body with 22-1/2" wide compartments. Optional 20" wide compartments available.



34" WORK DECK WITH UNDERBODY BOX

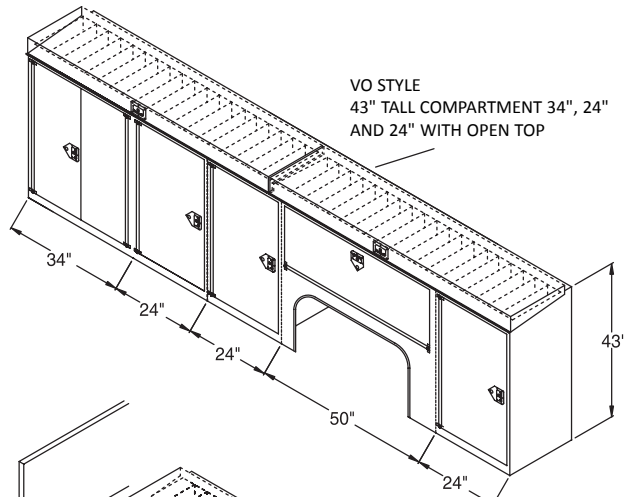
34" WORK DECK WITH NO UNDERBODY BOX



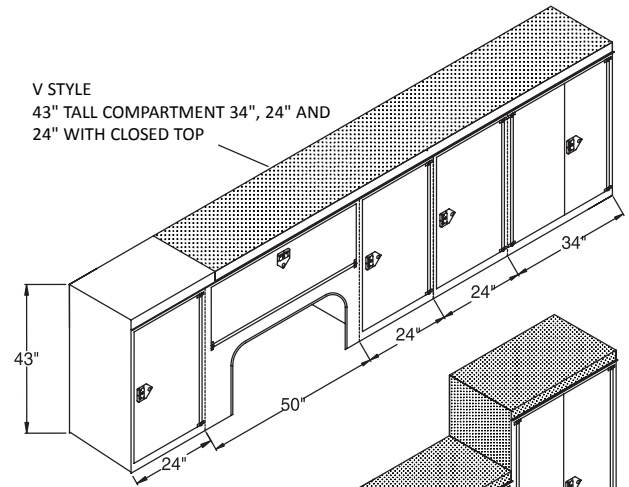
Crane and Signature Service Body Configuration Options



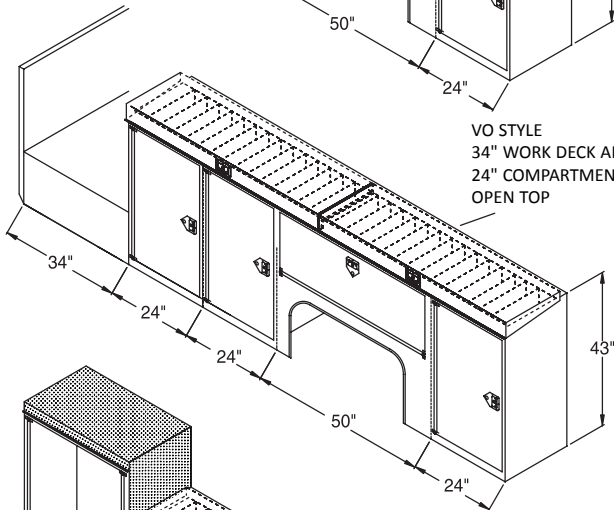
Dimensions shown represent 43" tall body with 22-1/2" wide compartments. Optional 20" wide compartments available.



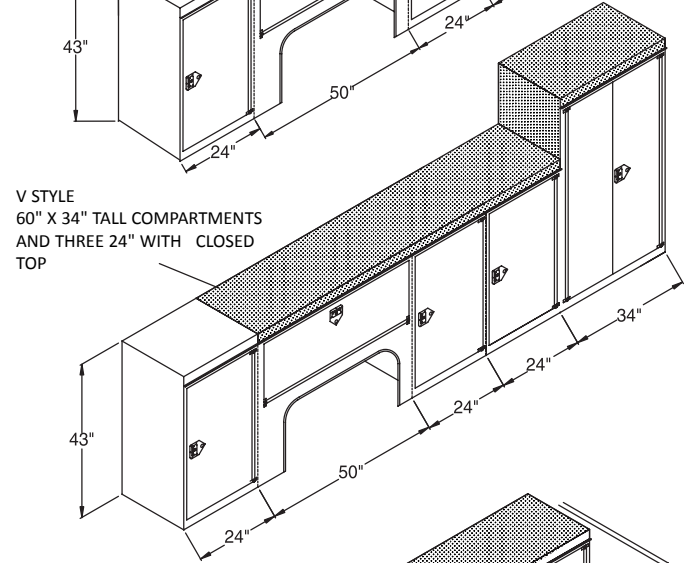
VO STYLE
43" TALL COMPARTMENT 34", 24"
AND 24" WITH OPEN TOP



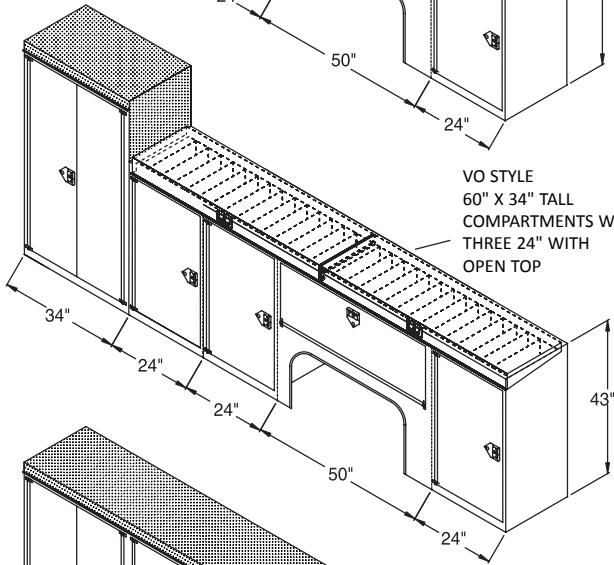
V STYLE
43" TALL COMPARTMENT 34", 24" AND
24" WITH CLOSED TOP



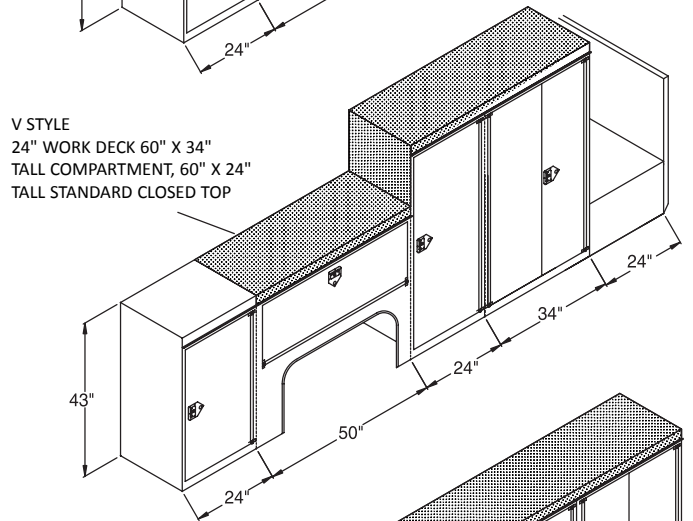
VO STYLE
34" WORK DECK AND THREE
24" COMPARTMENTS WITH
OPEN TOP



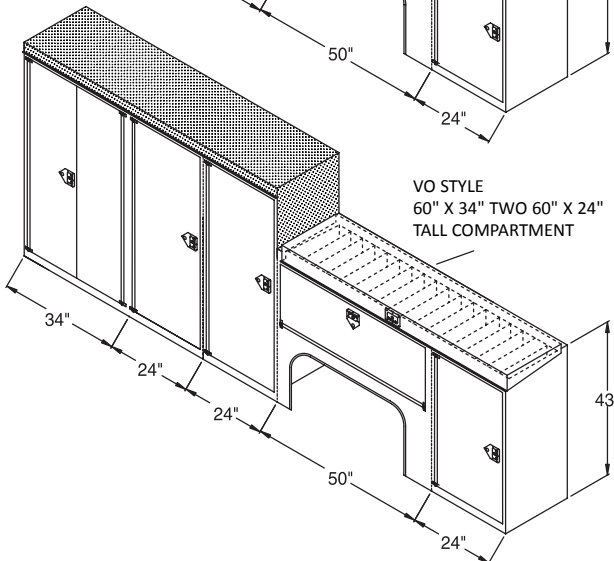
V STYLE
60" X 34" TALL COMPARTMENTS
AND THREE 24" WITH CLOSED
TOP



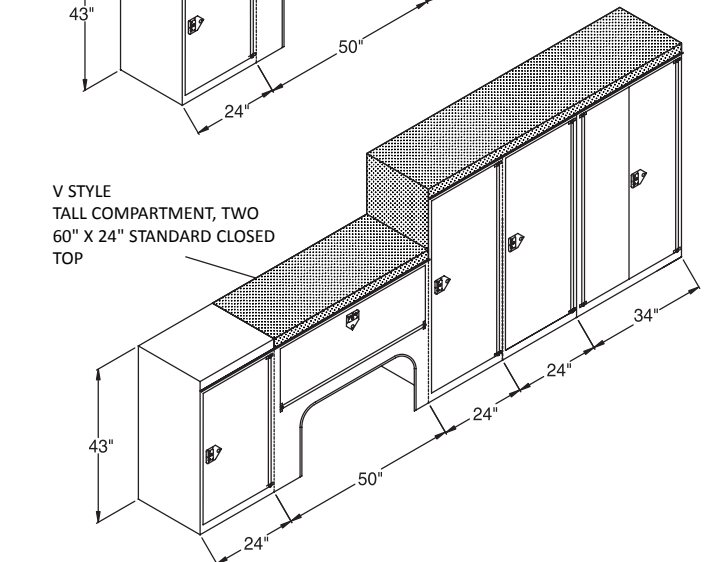
VO STYLE
60" X 34" TALL
COMPARTMENTS WITH
THREE 24" WITH
OPEN TOP



V STYLE
24" WORK DECK 60" X 34"
TALL COMPARTMENT, 60" X 24"
TALL STANDARD CLOSED TOP



VO STYLE
60" X 34" TWO 60" X 24"
TALL COMPARTMENT



V STYLE
TALL COMPARTMENT, TWO
60" X 24" STANDARD CLOSED
TOP



Photos may contain optional equipment - verify your specifications when you order.

Super Structures for 8600 GVW* and Higher Standard Specifications

GVW * is Gross Vehicle Weight Rating, also known as Gross Vehicle Mass (GVM). This is the maximum operating weight of a vehicle chassis as specified by the manufacturer.

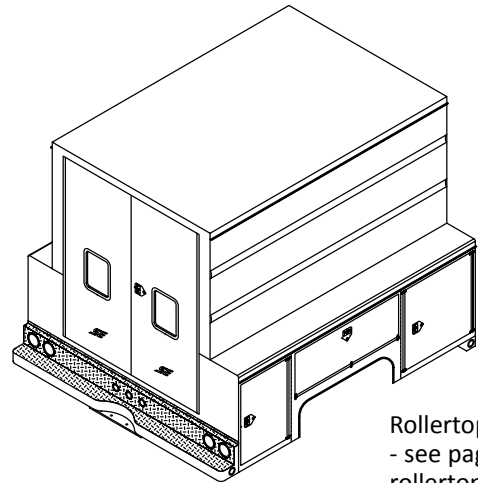
- Body Dimensions:**
- Lengths available in 98, 108, 132 and 156 inches only. Can be ordered with tapered sides.
 - Scelzi 6" recessed rear bumper and standard service body compartment options (see pages 31-33)
Compartment height options are shown below.

- Window Options:**
- 1 front window 12" high X 28" wide.
 - Windows in rear doors 18" X 12" wide

- Color:**
- White or black

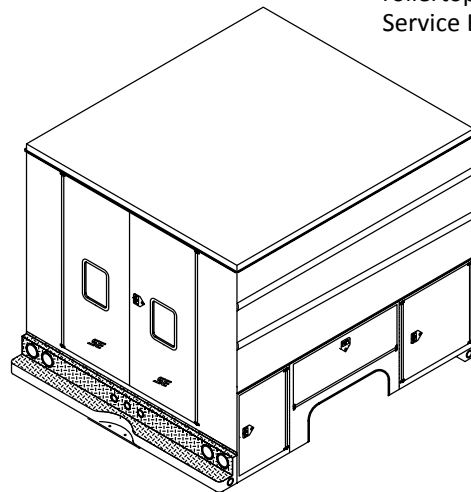
Body Height	SUPER STRUCTURE HEIGHT		
	24 inches	36 inches	48 inches
33"	42-3/16"	54-3/16"	66-3/16"
38"	47-3/16"	59-3/16"	71-3/16"
43"	52-3/16"	64-3/16"	76-3/16"

Dimensions are measured from the floor to the inside structure



Standard Width Super Structure (SWSS)

Rollertops are optional - see page 56 for more rollertop options on Service Bodies



Full Width Super Structure (FWSS)





Photos may contain optional equipment - verify your specifications when you order.

WCB-8000

132" Long

Standard Specifications

Western Crane Body packages are available

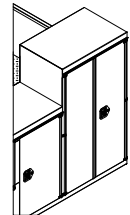
Body Dimensions: • 132 inches Long x 96 inches wide, with capacity for 5,000-8000 lb crane.

Color: • White

Storage Compartments: • Compartment height is 43"

- Options:**
- 60" Tall Oxy-Acetylene Front Compartment (shown in photos above)
 - 24" or 34" Compartment 60" High with 3 Standard Adjustable Shelves
 - 18" to 24" Rear Work Deck – Set up for Outriggers with or without Access Doors
 - Rear Work Deck with Through Compartment
 - "Top 5" Only"
 - Work Deck with "V" Groove
 - V-Notch Bumper

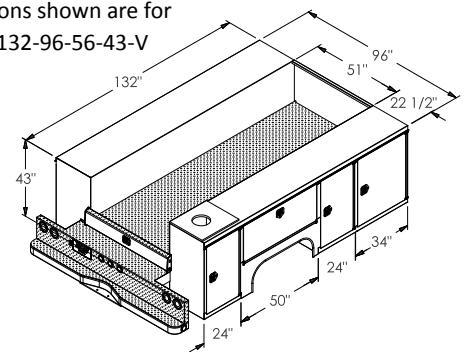
Style	Orientation	Tops
VO*	Vertical	Open
V	Vertical	Closed
* Only available on non-crane side		



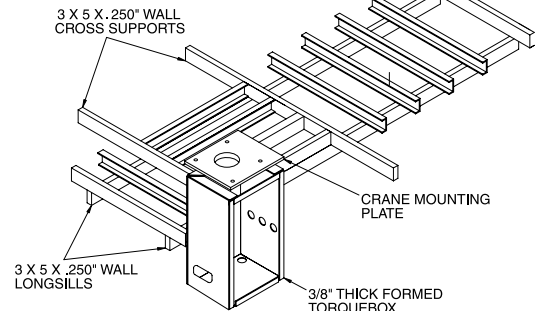
CRANE BODIES ARE ALSO AVAILABLE WITH OPTIONAL 60" TALL FRONT COMPARTMENTS



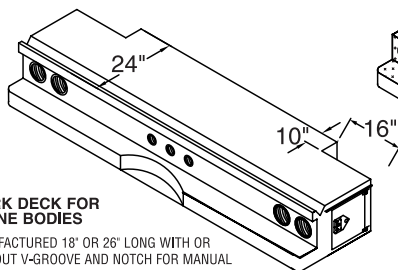
Dimensions shown are for WCB-132-96-56-43-V



CRANE BODY UNDERSTRUCTURE AND REINFORCEMENT



OR BUMPER WITH TYPE-D NOTCH



WORK DECK FOR CRANE BODIES
MANUFACTURED 18" OR 26" LONG WITH OR WITHOUT V-GROOVE AND NOTCH FOR MANUAL OR HYDRAULIC OUTRIGGERS



Photos may contain optional equipment - verify your specifications when you order.

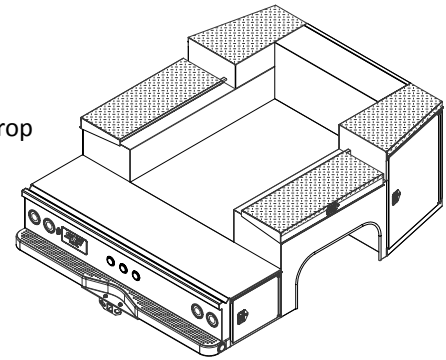
SBD-108-94-49 108" Long 60 CA Standard Specifications

- Body Dimensions:**
- 108 inches Long x 94 inches wide. Compartment height is 33 inches.
 - Custom Order Only: 132 inch Long body, as shown in photo above.

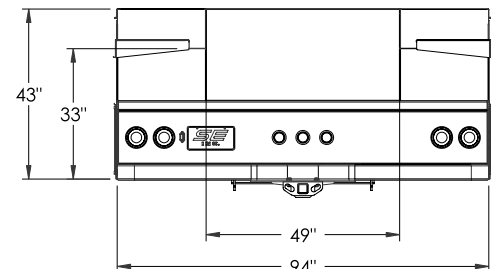
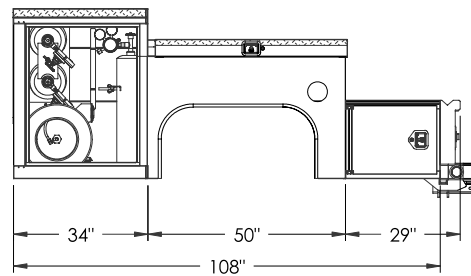
- Rear Wheel:**
- Dual

- Color:**
- White

- Storage Compartments:**
- Tapered Front Compartments and Smooth Steel Floor with a 5" Drop
 - Oxygen Bottle Holders in Transverse Compartment - Driverside
 - Acetylene Bottle Holders in Upright Position in Front Compartment - Driverside
 - Hose Holder in Front Compartment - Driverside
 - Oxygen and Acetylene Hose Reel with Louver in Lower Bottom of Front Compartment - Driverside
 - Adjustable Shelves in Front Compartment - Curbside
 - Horizontal Compartment with Dividers
 - Rear Work Deck with Access Doors and "V" Groove
 - Perforated Rear Step Bumper
 - Class 5 Receiver Hitch Without Insert
 - Trailer Plug 7/4 Way OEM Socket



Dimensions shown are for SBD-108-94-49-33-V



Optional Polyurea lining

All drawings reflect dimensions for the most popular applications.



Photos may contain optional equipment - verify your specifications when you order.

Hoist Specifications - Smaller Dump Sizes

The Scelzi line of durable, single stage scissor hoists:

- Range in capacity from 11.2 to 22.5 ton
- Fit bodies from 8 to 20 feet long
- Black powder-coated in a durable, rust-resistant finish
- In-Cab Dash-mounted LED "Hoist Up" Safety Light
- Internally/externally accessed Push Button Hoist Up-Down Controller
- Dual, Manual-control Hoist Secure Locking Arms
- Power Take Off (PTO) for most models
- Scelzi CS515T and CS615T-11 are electric/hydraulic



Dash-mounted LED "Body Up" Safety Light and Push Button Hoist Up-Down Controller

Scelzi Hoists Standard Sizes

Body	Model	Tons
12' Chipper	CS615T-11	11.2
14' Chipper	CS620HD	11.5
16' Chipper	CS628	15.1
2-3 Yd Dump	CS615T-11	12.6
3-4 Yd Dump	CS615T-11	11.2
5-7 Yd Dump	CS820DA	22.5
6-8 Yd Dump	CS6620	22.9
7-9 Yd Dump	CS6620	22.9
10-12 Yd Dump	820DA	22.5
8'6" Landscaper	CS615T-11	12.6
10' Landscaper	CS615T-11	11.2
12' Landscaper	CS615T-11	11.2
14' Landscaper	CS615T-11	9.2

Actual hoist specifications may vary



Dual manual-control Hoist Secure Locking Arms





Photos may contain optional equipment - verify your specifications when you order.

3-4 Cubic Yards 11.6 Ft. Long 84 CA Standard Specifications

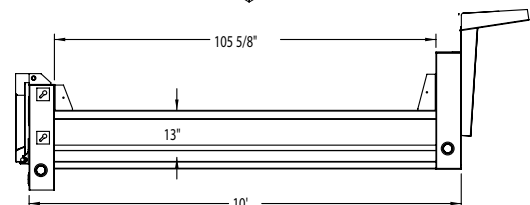
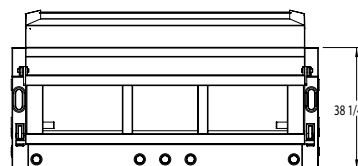
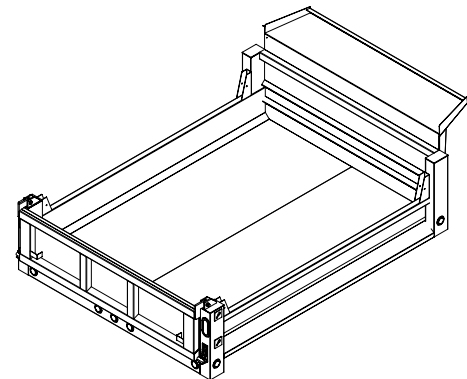
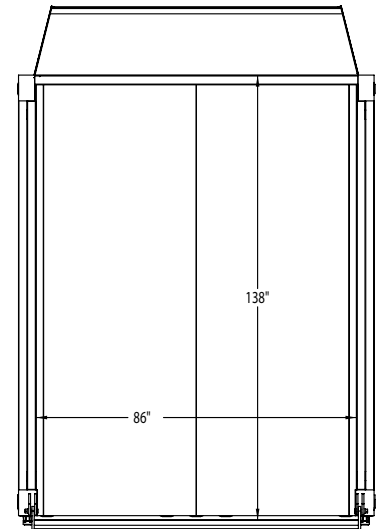
- Capacity:**
- Recommended: 14,000 - 19,000 GVW Approx. 2,250 lbs.
 - Recommended: 550, 5500 or lower

- Body Dimensions:**
- Traditional rectangular body with cross-members
 - 11'6" Long x 86" Wide Inside x 13" Sides x 20" Tail Gate x 32" Bulkhead
 - DBS 11-6 Dump body with fold down sides
 - 10 Gauge High-Tensile Throughout
 - 3" Cross Bars on 15" Centers x 5" Channel Longs
 - 1/4 Size Cab Shield
 - Deluxe LED Light Package with Oval Stop and Turn Lights
 - Mud flaps and brackets
 - Semi automatic pull tarp, black mesh

- Color:**
- Black or white, Contact Sales for Custom Color

- Hoist:**
- Scelzi CS615T-11 (Class 40)
 - 11.2 ton capacity with 12" overhang, full steel sub-frame
 - Power up and power down with LED raised up warning light
 - LED body raised warning light, inside cab control
 - See pg 33 for more hoist information

- Options:**
- 6" x 3/16" spreader apron
 - Center ditch gate, sliding type
 - 3/16" floor in lieu of 10 gauge
 - LED lighting
 - Non-fold down sides



NOTE: 13" DIMENSION IS FROM FLOOR TO TOP OF SIDE RAIL



Photos may contain optional equipment - verify your specifications when you order.

5-7 Cubic Yards 10 Ft. Long Standard Specifications

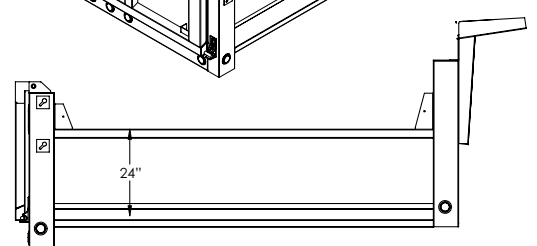
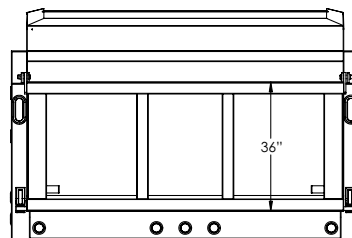
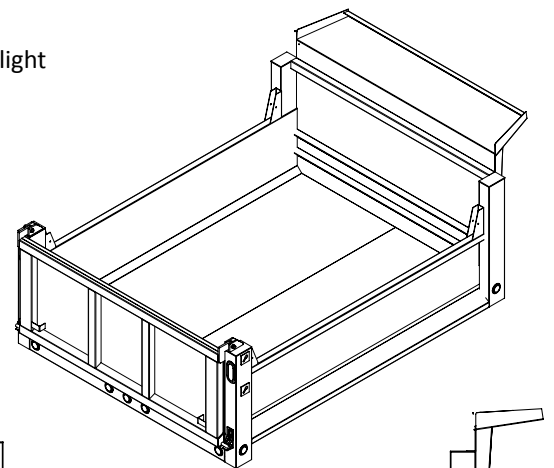
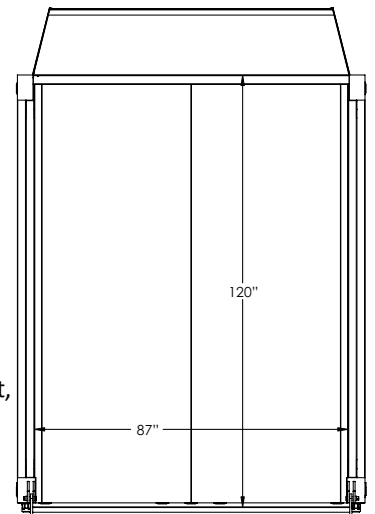
Capacity: • Recommended: 26,000 -33,000 GVW Approx 3,400 lbs.

- Body Dimensions:**
- Traditional rectangular body with cross-members
 - 10' Long x 86" Wide Inside x 24" Sides x 32" Tail Gate x 36-40" Bulkhead
 - 10 Gauge High-Tensile Steel Sides and Ends
 - 3/16" High-Tensile Steel Floor with Beveled Side Corners
 - Sloped Running Boards
 - 6" Channel Longs x 3" Channel Cross Bars on 15" Centers
 - Double Acting Tail Gate (Manual Trip Lever), 6-Panel
 - 1/4 Cab Shield, Full Depth Rear Corner Post
 - 4-Flange Boxed Top Rail, Double
 - Wall Sides with Center Corrugation, Spreader Apron
 - Deluxe LED Light Package with Oval Stop and Turn Lights in Rear Corner Post,
 - Recessed Side Clearance Lights, and Set of Mud Flaps

Color: • Black or White

- Hoist:**
- Scelzi 820DA with sub-frame (Class 60)
 - 22.5 ton capacity with 12" overhang
 - Power up and power down with LED raised up warning light
 - LED body raised warning light, inside cab control
 - See pg 37 for more hoist information

- Options:**
- Ditch Gate in Tailgate
 - Semi automatic pull tarp, black mesh
 - 3/16" High-Tensile Tailgate
 - Air Operated Tailgate Locks
 - Air Shift PTO or Hot Shift PTO - for Allison Transmission
 - 580 Premier Pintle Hitch or Plug
 - Pull Trap, and Toolbox





Photos may contain optional equipment - verify your specifications when you order.

10-12 Cubic Yards

14 Ft. Long

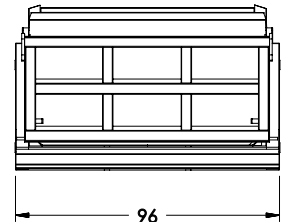
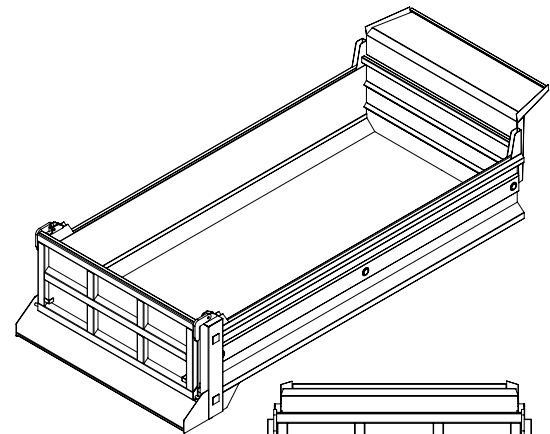
Standard Specifications

Capacity:

- Recommended: 33,000 GVW

Body Dimensions:

- Traditional rectangular body with cross-members
- 10 GA. High-Tensile Steel Throughout
- 3" Channel Crossbars on 15" Centers
- Headboard with Corrugations 10" Higher Than Sides
- Manual Tailgate Lever or Air Cylinder Set-Up (Air Cylinder not Included)
- 5", 6", or 7" Longsills
- Tailgate 6" Higher Than Sides
- Beveled Floor Corners
- Full Depth Rear Corner Posts
- Two-Panel Tailgate
- Boxed Top Rails and Horizontal Side Braces



Color:

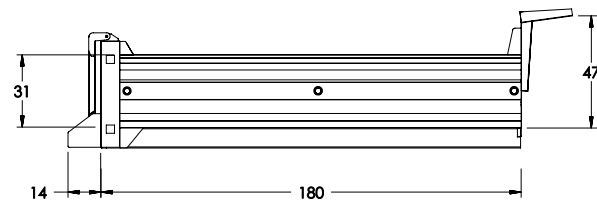
- Black or White

Hoist:

- Scelzi C63120T
- 22.5 ton capacity with 12" overhang
- Power up and power down with LED raised up warning light
- See pg 33 for hoist details

Options:

- Air Tailgate Control
- Air Dump Control
- 3/16" Spreader Apron
- Ditch Gates
- Oval Stop and Turn Lights
- Front Corner Post
- Nested Crossbars
- Double Wall Sides with Center Horizontal Brace Length of Body
- Concave sides
- Hoist Stabilizer
- Guards in End Post for Turn Signal Lights
- Hydraulic Wet Line for Pop Trailer
- Electrically Activated PTO for Manual Transmission
- Air Pintle Hitch
- Semi automatic pull tarp, black mesh (as shown at right)





Photos may contain optional equipment - verify your specifications when you order.

Semi-Elliptical Dump Bodies

Various Lengths

Standard Specifications

Capacity: • Varies from 6-18 cubic yards in lengths from 10 to 19 feet long

Body Dimensions:

- Semi-elliptical curved body design
- 4 x 4 x 1/4 Tubing Top Rail Diamond Up Inside Vertical Stiffner
- 10 Gauge High-Tensile Fenders Starting Approx. 30" from Front
- Fenders are Full Boxes Closed Bottom Side, 100% Welded
- All Heavy Duty Hardware Top & Bottom on Tailgate
- 3 Panel Tailgate or 6 Panel Tailgate
- Air Operated Lower Tailgate Locks
- 1/4 Size Cab Shield or Wing Type
- 8" x 3/16" Spreader Apron
- Deluxe Light Kit Oval Stop & Turn

Color: • Black or White

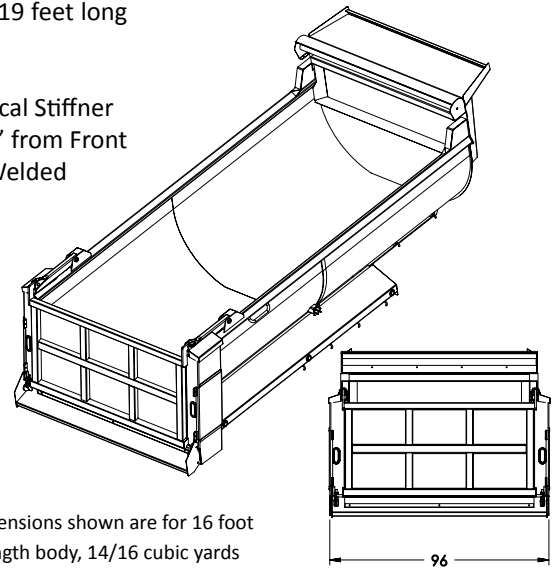
Hoist:

- Model varies by capacity
- Power up and power down
- LED raised up warning light

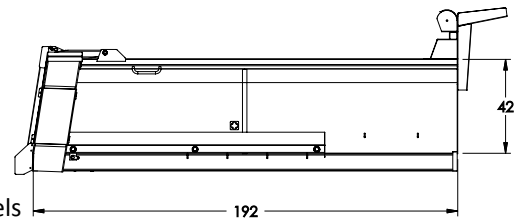
Options:

- Air Lift Tailgate Cyl. Inside Rear Post (No Door)
- Doors on Rear Corner Post for Air Cyl Access
- Ditch Gate Center
- Trap (Manual or Electric)
- Air Hitch 370 Premier and Electric Plug
- 2 - 22.5 x 8.25 Alcor Uni-Mt F/R Polished 10 Hole Wheels
- 2 - 255/70 R22.5 Sumitomo S+727 16 Ply Tires
- Reverse Mounting Model for Clearance on Tanks ECT

Custom Dump Bodies: • Other Custom Dump Bodies Available as a Special Order
- Please Contact Us



Dimensions shown are for 16 foot length body, 14/16 cubic yards





Photos may contain optional equipment - verify your specifications when you order.

12 Foot Chipper and Hoist

84 CA

11.2 Ton Hoist



Photos may contain optional equipment - verify your specifications when you order.

14 Foot Chipper and Hoist

120 CA

15.2 Ton Hoist



Photos may contain optional equipment - verify your specifications when you order.

16 Foot Chipper and Hoist

138 CA

17.6 Ton Hoist



Optional lighting and toolbox configurations are available



Chipper and Hoist

Standard Specifications

Body Dimensions Available:

12 ft. Long x 88 Inches Wide
 14 ft. Long x 88 Inches Wide
 16 ft. Long x 88 Inches Wide

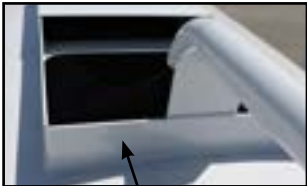
84 CA
 120 CA
 138 CA

Body Length	12 ft	14 ft	16 ft
Recommended GVW	19,000	26,000 - 33,000	26,000 - 33,000
Hoist Capacity	11.2 tons	15.2 tons	17.6 tons
Cab-to-Axle inch length (CA)	84 CA	120 CA	138 CA
Outer Body Width	88 inches	88 inches	88 inches
Inner Body Height	78 inches	84 inches	84 inches
Body Details:	10 gauge High Tensile floor with beveled side corners and front		
	3 inch channel cross bars on 15 inch centers		
	5 inch channel longs	7 inch channel longs	7 inch channel longs
	12 gauge front bulkhead with 3 corrugations and tube stiffeners 12 gauge sides and 2 corrugations and vertical posts		
	30 inch rear swing-out double doors with door latch	36 inch rear swing double doors with door latch	36 inch rear swing double doors with door latch
Hoist:	Scelzi CS615T-11 Electric over hydraulic Underbody Hoist, Class 40*	Scelzi CS 6615 Direct Mount Underbody Hoist, Class 50*	Scelzi CS6620 Direct Mount Underbody Hoist, Class 50*
	<ul style="list-style-type: none"> 11.2 ton capacity with 18" overhang, full steel subframe Double acting hoist with Power Up and Power Down PTO with direct mount pump LED raised warning light Inside Cab control 	<ul style="list-style-type: none"> 15.2 ton capacity with 18" overhang 2" hardwood cushion on truck chassis Hydraulic tank Double acting hoist with Power Up and Power Down PTO with direct mount pump LED raised warning light Inside Cab control 	<ul style="list-style-type: none"> 17.6 ton capacity with 23" overhang 2" hardwood cushion on truck chassis Hydraulic tank Double acting hoist with Power Up and Power Down PTO with direct mount pump LED raised warning light Inside Cab control

*See page 37 for more hoist information



Key Features and Options on Scelzi Water Trucks



Three square Manholes on 4000 gallon tanks



Cab control box



Two 24" x 24" Manholes

2.5" Hydrant Fill Pipe

Optional Hose Reel

3/16" thick steel tank skins welded inside and out

Front and Rear Spray Bars

Driver and passenger-side Adjustable Spray Fittings

Heavy Duty Steel Ladder



24" Stinger Storage with lockable lid



Unique Scelzi Water Tank Features:

- A-Rubber Mounts between the long sill and chassis to minimize vibration
- B-Spring tank mounts to act as shock absorbers independent of the chassis



Optional LED Enhanced Light Kit



Optional 1/4" Thick Belly Steel Overlay





Photos may contain optional equipment - verify your specifications when you order.

WT-2000

2,000 Gallons

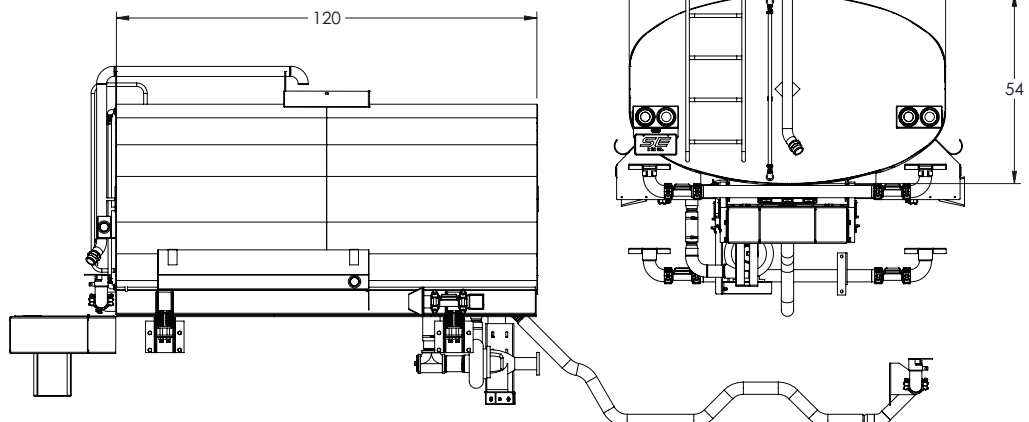
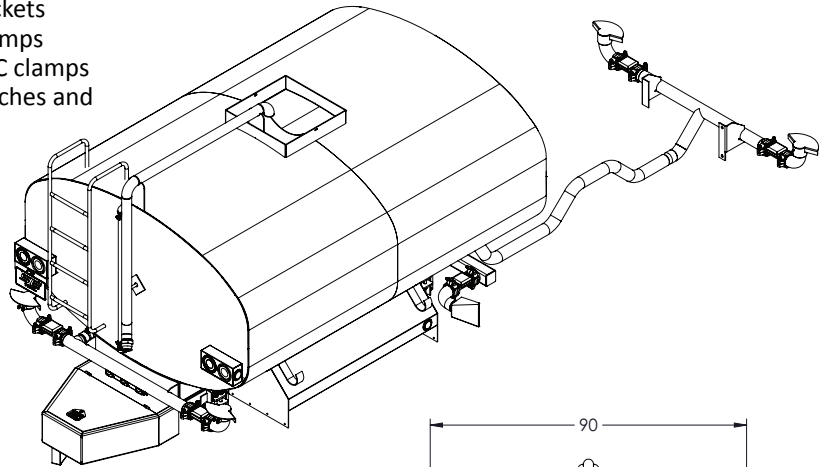
Standard Specifications

Standard

- Features:**
- Chelsea Air Shift PTO
 - 4" x 3" Berkeley water pump (750 GPM)
 - Spicer PTO Driveline
 - 4" x 4" Water Manifold
 - 3" Standard Air Valves
 - 3" Slip on splash spray heads for front
 - 3" x 53" Front spray bar with mounting brackets
 - 3" Slip on splash spray heads for rear
 - 3" x 53" Rear spray bar with mounting brackets
 - 3" Adjustable driver side spray with VIC clamps
 - 3" Adjustable passenger side spray with VIC clamps
 - One control box inside cab with (6) air switches and Air control for PTO
 - 1-1/2" Gate valve at manifold
 - 3/4" Gate valve at manifold
 - 4" Water tank mounts with 3/4" bolts
 - One set of water tank fenders with hooks for hoses
 - OEM Tail Stop & turn rear lights
 - 2-1/2" Red marker lights seal beam
 - 2-1/2" Amber marker lights seal beam
 - 36" Rubber mud flaps
 - 24" Stinger at rear with lockable lid
 - 1/2" Sight gauge at rear

Options:

- Hot shift PTO for Allison Transmission
- Upgrade to CLA – Val Air Valves
- 1/4" Thick overlay "Belly" at lower level of standard 3/16" thick tank, which significantly slows "rot-out" of bottom of tank
- 6" Diameter gravity water tank dump valve at rear bottom of tank with "Fan Nozzle".





Photos may contain optional equipment - verify your specifications when you order.

WT-2500

2,500 Gallons

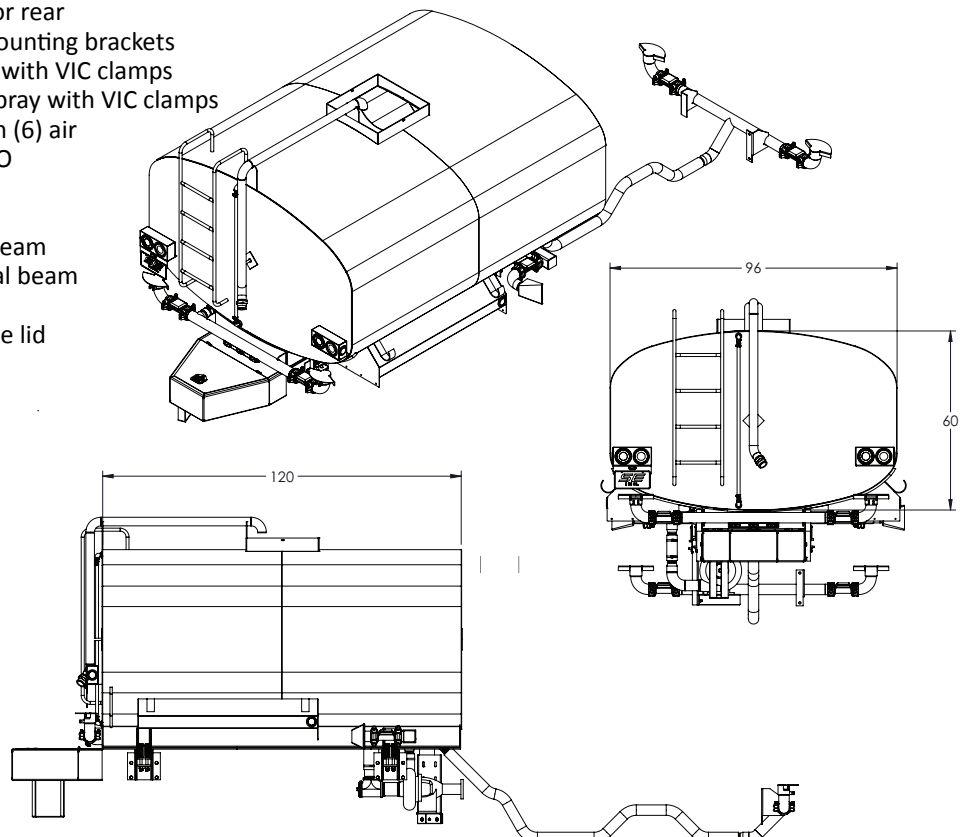
Standard Specifications

Standard Features:

- Chelsea Air Shift or Hot Shift PTO
- 4" x 3" Berkeley water pump (750 GPM)
- Spicer PTO Driveline
- 4" x 4" Water Manifold
- One set of water tank fenders with hooks for hoses
- 4" Water tank mounts with 3/4" bolts
- OEM tail stop & turn rear lights
- 3" Standard Air Valves
- 3" Slip on splash spray heads for front
- 3" x 53" Front spray bar with mounting brackets
- 3" Slip on splash spray heads for rear
- 3" x 53" Rear spray bar with mounting brackets
- 3" Adjustable driver side spray with VIC clamps
- 3" Adjustable passenger side spray with VIC clamps
- One control box inside cab with (6) air switches and Air control for PTO
- 1-1/2" Gate valve at manifold
- 3/4" Gate valve at manifold
- 2-1/2" Red marker lights seal beam
- 2-1/2" Amber market lights seal beam
- 36" Rubber mud flaps
- 24" Stinger at rear with lockable lid
- 1/2" Sight gauge at rear

Options:

- Hot shift PTO for Allison Transmission
- Upgrade to CLA – Val Air Valves
- 1/4" Thick overlay "Belly" at lower level of standard 3/16" thick tank which significantly slows "rot-out" of bottom of tank
- 6" Diameter gravity water tank dump valve at rear bottom of tank with "Fan Nozzle".





Photos may contain optional equipment - verify your specifications when you order.

WT-4000

4,000 Gallons

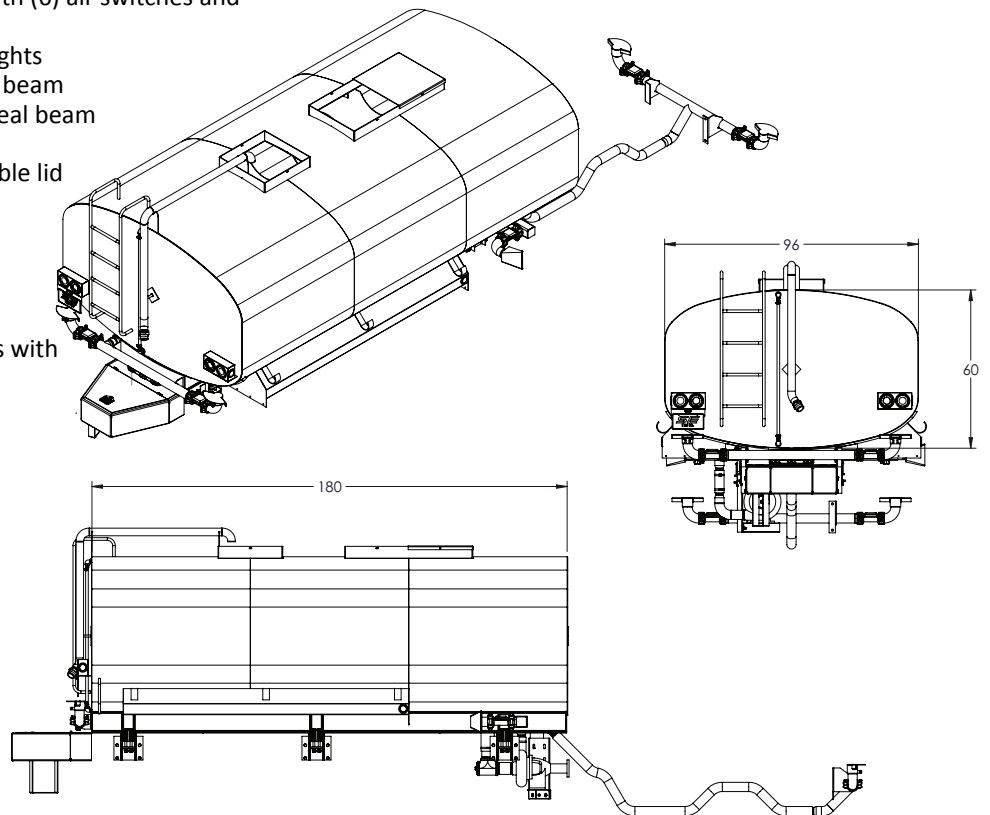
Standard Specifications

Standard

- Features:**
- Chelsea Air Shift PTO for manual transmission
 - 4" x 3" Berkeley water pump, (750 GPM)
 - Spicer PTO Driveline
 - 4" x 4" Water Manifold
 - 3" Standard Air Valves
 - 3" Slip on splash spray heads for front
 - 3" x 53" Front spray bar with mounting brackets
 - 3" Slip on splash spray heads for rear
 - 3" x 53" Rear spray bar with mounting brackets
 - 3" Adjustable S/S spray with VIC clamps
 - 3" Adjustable C/S spray with VIC clamps
 - One control box inside cab with (6) air switches and Air control for PTO
 - OEM tail stop and turn rear lights
 - 2-1/2" Red marker lights seal beam
 - 2-1/2" Amber marker lights seal beam
 - 36" Rubber mud flaps
 - 24" Stinger at rear with lockable lid
 - 1/2" Sight gauge at rear
 - 1-1/2" Gate valve at manifold
 - 3/4" Gate valve at manifold
 - 4" Water tank mounts with 3/4" bolts
 - One set of water tank fenders with hooks for hoses

Options:

- Hot shift PTO for Allison Transmission
- Upgrade to CLA – Val Air Valves
- 1/4" Thick overlay "Belly" at lower level of standard 3/16" thick tank, which significantly slows "rot-out" of bottom of tank
- 6" Diameter gravity water tank dump valve at rear bottom of tank with "Fan Nozzle".





SCELZI EQUIPMENT

Truck Parts and Accessories

1-800-858-2883



INCLUDING THE
ITEMS ON THE
FOLLOWING PAGES



TWO GREAT TRUCK PARTS STORE LOCATIONS IN CENTRAL CALIFORNIA

Fresno



2645 South Cherry Street • Fresno • CA • 93706

Shafter



3701 Enterprise Street • Shafter • CA • 93263

HOME OF THE SCELZI COMPANY STORE



Caps and Beanies



Sweatshirts

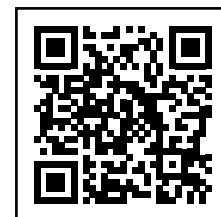


Tee Shirts



And Much More...









SCAN this code on your phone to visit our Company Store
Or go to <http://www.seinc.com/COMPANystore.htm>





Parts and Optional Equipment

For ALL Bodies

	Tool Boxes/Drawers	Page 50
	Polyurea Lining	Page 51
	Backpacks	Page 51
	Hitches	Page 52
	Spare Tire Carrier	Page 52
	Water Cask Holders	Page 52
	Beacon Plate/Pedestal	Page 52
	Vise Stands	Page 53
	Locking Systems	Page 54
	Cranes	Page 55
	Ladder Racks	Page 55
	Lift Gates	Page 55

For SERVICE Bodies

	Roller Tops	Page 56
	Trailer Plugs	Page 56

Tool Boxes

Toolboxes are available in Black or White as standard

Closed Top

Scelzi Top Mount, Closed Top model

LONG	HIGH	DEEP
72"	18"	18"
96"	18"	18"
108"	18"	18"



Open Top

Scelzi Top Mount, Open Top model

LONG	HIGH	DEEP
48"	18"	18"
72"	18"	18"
96"	18"	18"
108"	18"	18"



Underbody

LONG	HIGH	DEEP
24"	18"	18"
30"	18"	18"
36"	18"	18"
40"	18"	18"
48"	18"	18"
60"	18"	18"



Open Top Black Toolbox With Optional Dividers



Modular Tool Drawer Systems

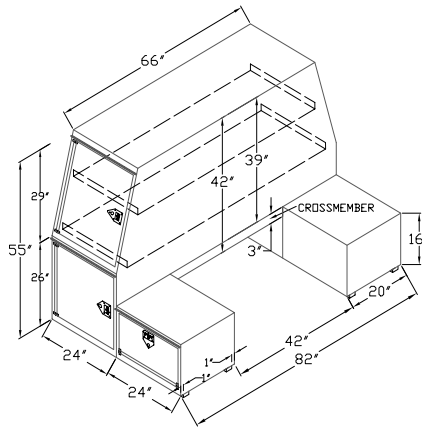
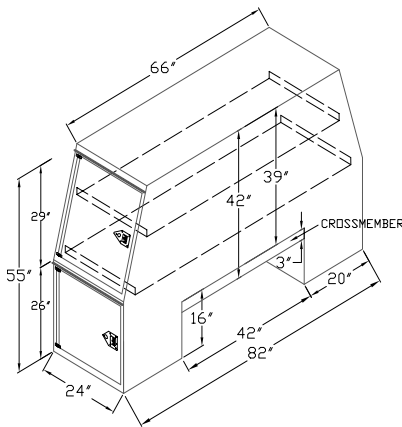


Just Press Down to Pull Out - the Best gets even BETTER

- Available in 3" through 8" High Heavy Duty Drawers
- 250# Test
- Galvanized Steel only
- Drawer Dividers sold separately

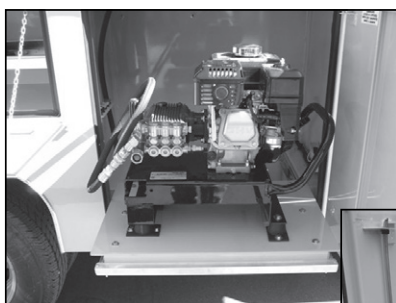


Back Packs



Scelzi Tool Box Roller Trays

Polyurea Lining

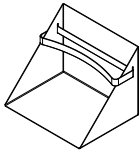


Non-slip surfacing for beds and bumpers

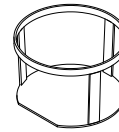


Water Cask Holders

Standard Water Cask Holder With Strap
PART NO SE190015



Ring Style Water Cask Holder
PART NO SE190014

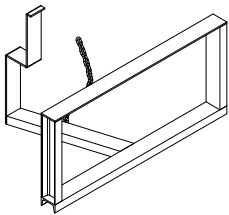


Spare Tire Carriers

PART #SE143000

UNDERBODY SPARE TIRE CARRIER

-FORD F-350-550 DRW,
DODGE 3500-5500 DRW
-CAN BE USED ON FREIGHTLINER
AND INTERNATIONAL
LOW PROFILE MODELS
(MAXIMUM TIRE DIAMETER 34")

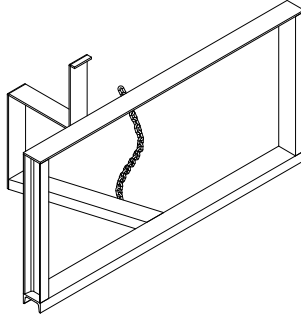


NOTE: MUST BE LOCATED ON DRIVER SIDE
WILL NOT WORK WITH MIDSHIP
OR DUAL TANK CONFIGURATIONS

PART #SE143001

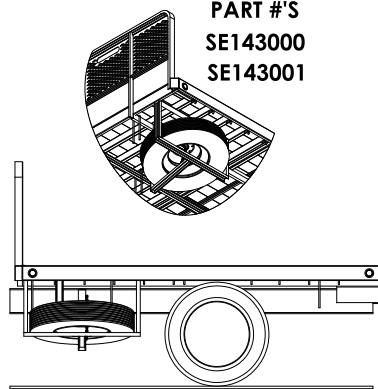
UNDERBODY SPARE TIRE CARRIER

FOR CLASS 5-7 CONVENTIONAL CAB
(IE FREIGHTLINER M2) (11R 22.5 TIRES)
(MAXIMUM TIRE DIAMETER 42 1/2")



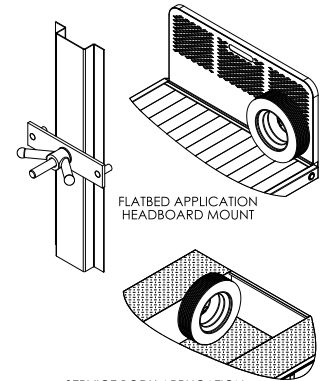
NOTE: NOT FOR USE ON VEHICLES WITH 12R22.5 TIRES
TIRE SIZE MUST BE NOTED ON WORK ORDER

**UNDERBODY SPARE TIRE CARRIER -
DRIVER SIDE APPLICATION SHOWN**



**PART #'S
SE143000
SE143001**

VERTICAL SPARE TIRE HOLDER



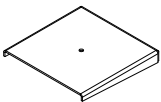
FLATBED APPLICATION
HEADBOARD MOUNT

SERVICE BODY APPLICATION
BACKWRAPPER MOUNT

Beacon Plates and Pedestals

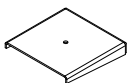
SE091020

BEACON PLATE, 9" X 9"



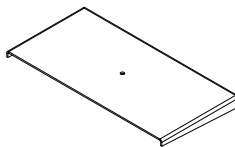
SE091021

BEACON PLATE, 7" X 7"



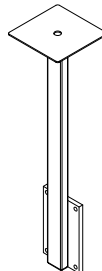
SE091022

MINI LIGHTBAR PLATE, 9" X 18"



SE192034

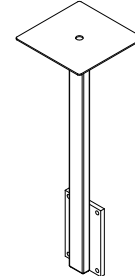
BEACON PEDESTAL, 7" X 7"
PLATE, FOR 38" TALL BODY



BODY HEIGHT	PART NUMBER
33" TALL BODY	SE192033
38" TALL BODY	SE192034
43" TALL BODY	SE192035
60" TALL BODY	SE192037

SE192031

BEACON PEDESTAL, 9" X 9"
PLATE, FOR 38" TALL BODY



BODY HEIGHT	PART NUMBER
33" TALL BODY	SE192030
38" TALL BODY	SE192031
43" TALL BODY	SE192032
60" TALL BODY	SE192036

Hitches

Receiver Hitches



CLASS 4 - 10,000#
Capacity, 1000#
Tongue Weight

CLASS 5 - 18,000#
Capacity, 1,800#
Tongue Weight

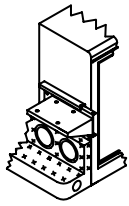
Dump Hitches



CLASS 4 - 10,000#
Capacity, 1000#
Tongue Weight

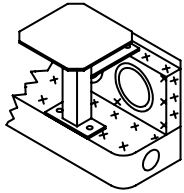
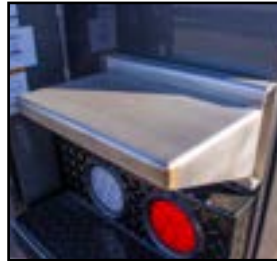
CLASS 5 - 18,000#
Capacity, 1,800#
Tongue Weight

Vise Stands



Bolt On Stainless Steel Panel

SSV-128

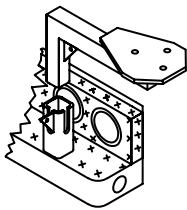


Standard Vise Stand Non-Removeable 9" x 9" Plate

SVS-121

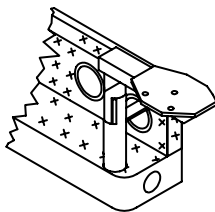


--



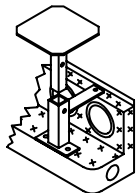
Lockable Vise Stand With Removeable Plates
 •Small BC210 or
 •Large BC410 (PG & E style)

LVSR-210
 LVSR-410



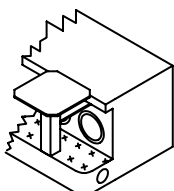
Swivel Base Vise Stand With Removeable Plates
 •Small BC210 or
 •Large BC410

SWV-127



Vise Stand with Removeable 9" x 9" Plate

VSR-123



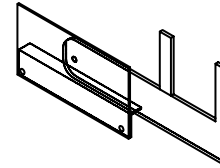
Weld Vise Stand On Work Deck or Bumper Non-powder coated

VSW-122



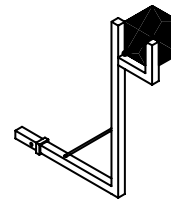
Vise Not Included

PIPE HOLDERS



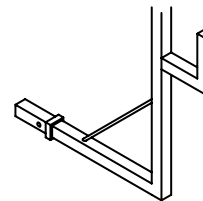
Pipe Holder Between Cab and Body

PH-124



Front Bumper Pipe Holder WITH Bucket

BPH-126



Front Bumper Pipe Holder Without Bucket

BPH-125



Electronic Locking Systems

Scelzi Electronic Locking System®

Covered under patent #8,869,576 B2

Rotary electronic master lock system provides additional protection for service body compartments in addition to the Scelzi locking T-handles. The Scelzi Electronic Locking System® can be used with an auxiliary remote or can be tied in to the factory electronic door locking system if the chassis is equipped with the automatic door lock option. The system utilizes an electronic actuator to activate a rotating rod to positively lock a cam system to the door. This provides a remote system to enhance the body security without the addition of parts protruding to the outside of the body.

The system is available on all standard service bodies -- contact your factory representative for availability on other body styles.

For both Electronic and Manual systems, a rotating rod is activated to lock a cam system to the door.



Can be programmed into the truck's cab security key for ease of use.



Electronic actuator. When activated the patented locking system rotates the rod and cam system

Heavy duty cam and hook



Scelzi Manual Master Lock System*

Manual master lock system provides an independent locking system to increase vehicle security above the level offered by traditional compartment locks. The system utilizes a positive lock cam system controlled by a stainless steel handle located on the rear of each service body side pack. The handle is then secured in the locked position with a padlock. All hardware provided is stainless steel or zinc coated for enhanced corrosion protection.

The system is available on all standard service bodies, for applications relating to custom and crane bodies contact your factory representative.



Unlocked



Locked



When manually activated the locking system rotates the rod and cam system that hooks into the door

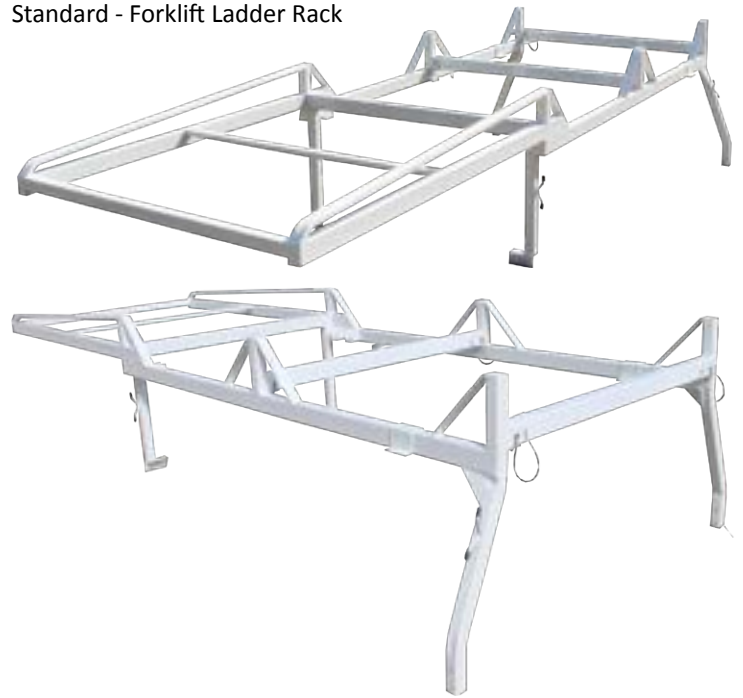
* Proprietary Scelzi Design

Ladder Racks

Non - Standard Ladder Rack



Standard - Forklift Ladder Rack



Cranes and Lift Gates



Miscellaneous Holders and Accessories



Cone Holders

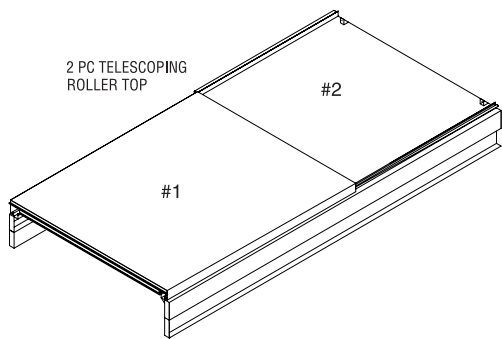


Tamper Holder

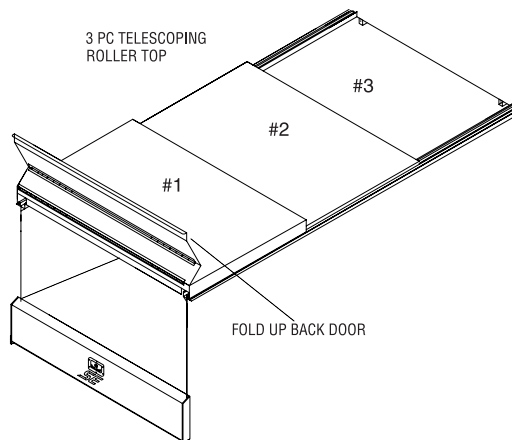


Steps and Handles

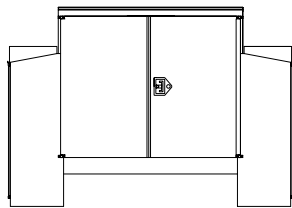
Roller Tops



3 PC TELESCOPING ROLLER TOP



BARN DOOR OPTION



Roller Tops come with stainless steel track and rollers.

* Note: Can be raised from 3" to 14" for an additional charge.

2-PIECE ROLLER TOP

Available for bodies of 80", 98" or 108" long

3-PIECE ROLLER TOP

Available for bodies of 98", 108", 132" or 156" long

Comes standard with fold up back door that includes overlapping tailgate for locking. Can be raised from 3" up to 14" tall and can be ordered with barn doors.



Trailer Plugs



No. 11-410
4 Pin - Cole Hersey
Chrome



No. 12063
7 Pin - Round Plug



No. 1235
6 Pin - Cole Hersey
Plug



No. 12707
7 Pin - Flat RV Plug



Scelzi Classics

These truck bodies are still available with Extended Lead Times

13 ft A-Frame (108 CA)

15 ft A-Frame (120 CA)



A 13 ft or 15 ft long A-Frame body with crane. Diamond plate 3/16" steel, cab high headboard, tubing for side racks, custom tail plate with two vise racks, diamond plate steel covering winch, kill switch, back up alarm, pintle hitch, multiple tool boxes.

Contour Service Bodies



Premium Quality Service Bodies with unique contoured edges and corners. Contour ladder rack, conduit boxes open on top, standard vise stand and receiver hitch. The top-of-the-line Service Body.

Model	Length	CA	Compartment Height	Rear Wheel
CSB-98	98 inches	56	38 "	Single
CSB-108	108 inches	60	38"	Dual



Scelzi Classics Still Available For Quote



CRUISER Body

11 ft long

(108 CA)

Stylish 11 foot long (132 inches) Cruiser Body with hand rail and 5th wheel hitch under removeable steel cover in aluminum bed.



CRANE BODIES (non-western)

See page 35 for Western Crane Bodies



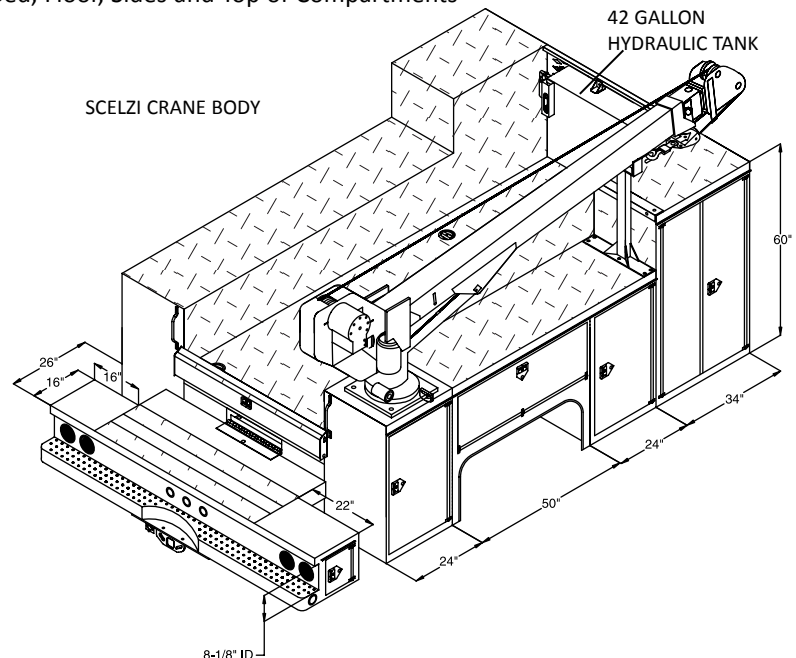
Premium Quality Crane bodies engineered for cranes with 5,000 lb lifting capacity and higher.

Model	Length	CA	Body Width
CB-132	132 inches	84	94 or 96"
CB-156	156 inches	108	96"
CB-166	166 inches	120	96"



Special Underbody Construction

- 3/16" Thick Head Board
- 14 Gauge Steel Shell
- 11 Gauge Diamond Plate Steel Overlay Includes: Bed, Floor, Sides and Top of Compartments





Custom Bodies



Custom 8 ft x 10.6 ft flatbed



Custom flatbed with Scorpion Atenuator



Custom 8 ft x 15 ft Cone Body



Custom SBD-108

CUSTOM BODIES

Please Note: Custom Bodies Require Extended Lead Times



SCELZI Enterprises Incorporated

Premium Truck Body Manufacturing

Building An American Legacy One Truck Body At A Time



The Scelzi Enterprises Fleet



www.seinc.com



Pool Locations

Fresno

Scelzi Enterprises, Inc.
Corporate Headquarters
2286 East Date Avenue
Fresno, CA. 93706
Office: (559) 237-5541
Toll Free: (800) 858-2883
Fax: (559) 237-5554

Denver

Scelzi Enterprises, Inc.
203 5th Avenue
La Salle, CO 80645
Office: (559) 237-5541
Toll Free: (800) 858-2883
Fax: (559) 496-3202

Riverside

Scelzi Enterprises, Inc.
2693 Rubidoux Blvd.
Riverside, CA 92509
Office: (559) 237-5541
Toll Free: (800) 858-2883
Fax: (559) 496-3202

Shafter

Scelzi Enterprises, Inc.
3701 Enterprise Street
Shafter, CA. 93263
Office: (559) 237-5541
Toll Free: (800) 858-2883
Fax: (559) 496-3202

Washington

Scelzi Enterprises, Inc.
2219 112th Street East
Tacoma, WA 98445
Office: (559) 237-5541
Toll Free: (800) 858-2883
Fax: (559) 496-3202