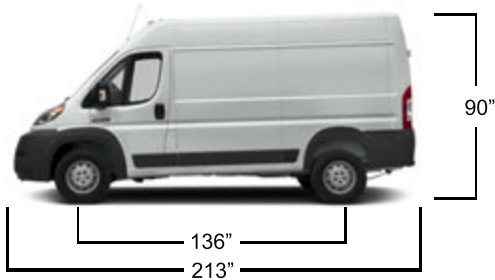




# WALLSLIDE™ FITMENT GUIDE

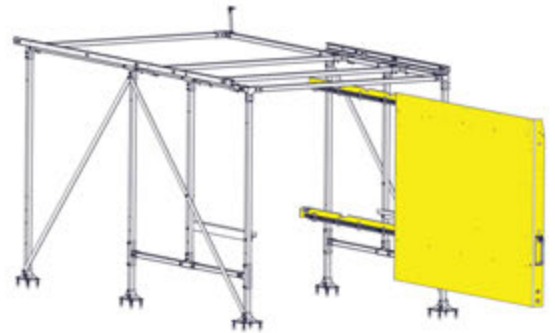
## RAM PROMASTER LOW ROOF 136WB



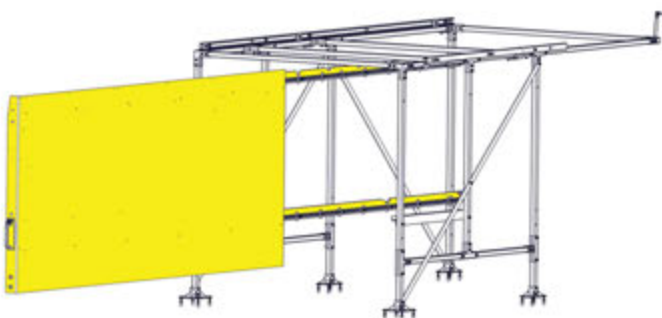
The **WALLSLIDE** System is a steel framework mounted inside the van with aluminum sliding walls. From motorized walls to lighting, **WALLSLIDE** is fully customizable with several options and designed to attach most brands of shelving, bins, and containers onto our sliding walls.



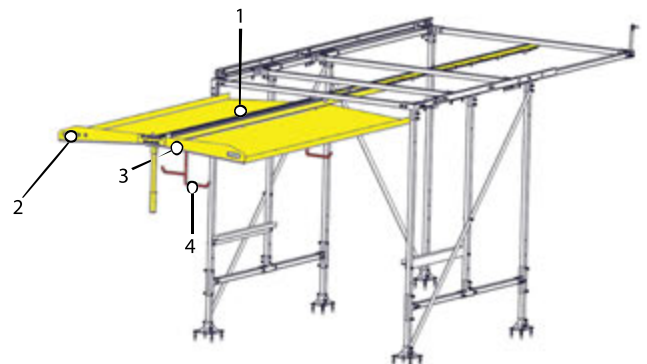
**WSS420** - Framework Only \*\$1,025



**WSS422** - Right 60" Wall (no shelving) \*\$2,237



**WSS421** - Left 100" Wall (no shelving) \*\$3,380



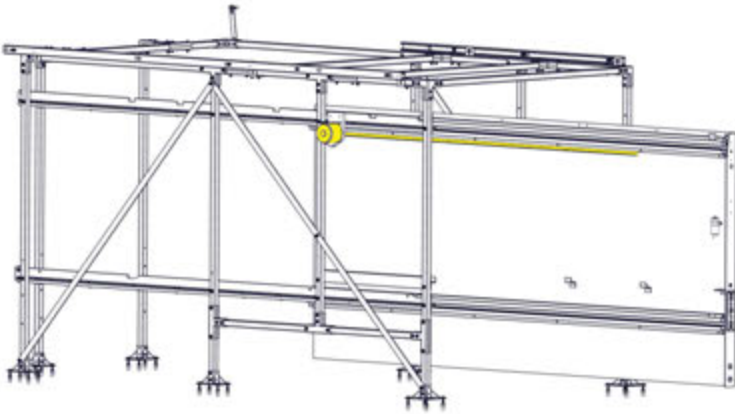
- 1 **WSR420** - Ceiling Slide Rail Only \*\$1,359
- 2 **WSC420** - Ceiling Canopy Kit \*2,156
- 3 **WSL072** - 72" Light Strip \*\$166
- 4 **WSLadder1** - Fixed Ladder Racks \*\$61  
**WSLadder1F** - Folding Ladder Racks \*\$77

\*Prices are MSRP

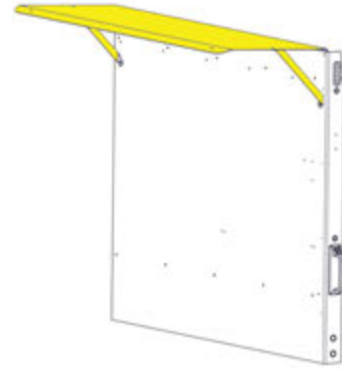


# **CARGOGLIDE WALLSLIDE**

## **RAM PROMASTER LOW ROOF 136WB**



**WSMotor421** - Motorized 100" Left Wall \*\$1,259  
**WSMotor422** - Motorized 60" Right Wall \*\$1,259



**WPC100** - Wall Weather Canopy \*\$222  
**WPC060** - Wall Weather Canopy \*\$196



**WSL006** - 6" Strobe Light \*\$60  
**WSL048** - 48" Light Strip for WPC060 \*\$138  
**WSL072** - 72" Light Strip for WPC100 \*\$166



**WSB420** - BulkHead Framework & Wall Only  
Available Upon Request



**WSGantry420** - Gantry Crane \*\$1,988



**WALLSLIDE** Systems are compatible with **CARGOGLIDE** floor units that pull out of the rear and side of your van.