



Interchangeable Truck Body System

PLATFORM BODY



Switch-N-Go.com • 888 311-0867



Features

- High quality powder coated finish up to 14'
- Lightweight design
- 24" on center stake pockets
- Lasercut window in bulkhead
- 4-Corner chain keyholes
- Low profile 4" rollers
- Custom options available

Distributor Info:

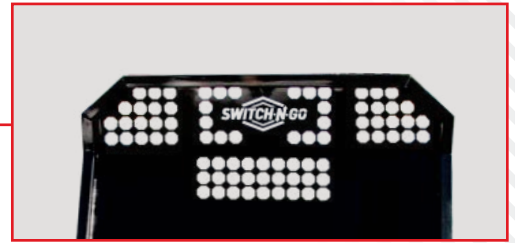
TO FIND A DISTRIBUTOR IN YOUR AREA



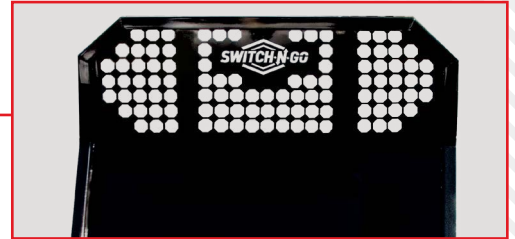
PLATFORM BODY OPTIONS



Welded D-rings



39" Height Bulkhead

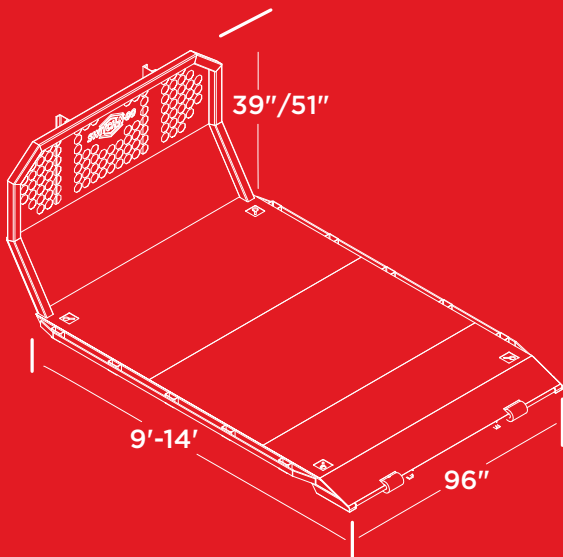


51" Height Bulkhead



Optional No Beavertail

SPECIFICATIONS



	9-12' LENGTHS	13-15' LENGTHS
FLOOR	1/8" DIAMOND PLATE	3/16" DIAMOND PLATE
BULKHEAD WINDOW	≈ 3.8 SQ FEET AREA	≈ 4.4 SQ FEET AREA
OUTER RAIL	3" x 3" x 1/8" TUBING	3" x 4" x 3/16" TUBING
STAKE POCKETS	24" ON CENTERS	
RUB RAIL	3/8" X 2" FLATBAR	
ROLLERS	4" DIAMETER BY 6" WIDE	
CROSSMEMBERS	3" STRUCTURAL CHANNEL 16" ON CENTER	
KEYHOLES	LOCATED IN CORNERS OF PLATFORM FLOOR	

Specifications are subject to change with or without notice. Products not warranted for any specific purpose.

