

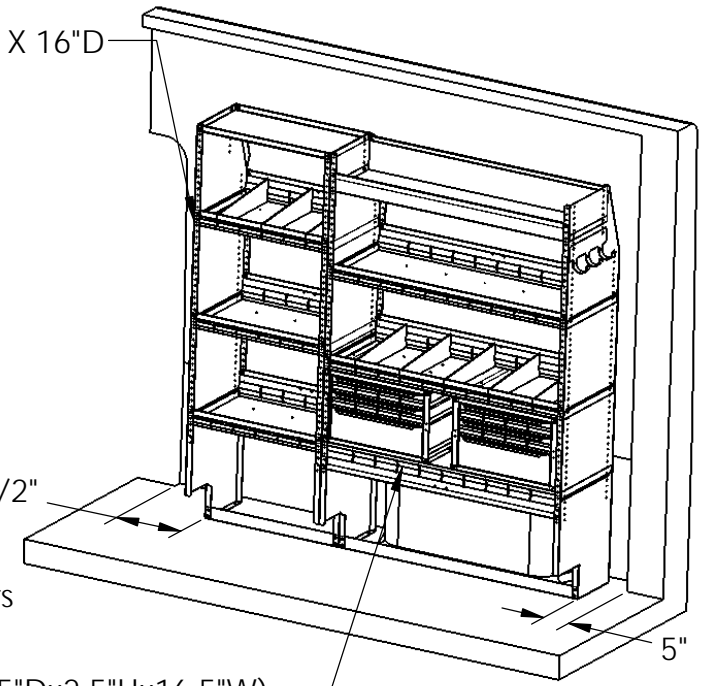
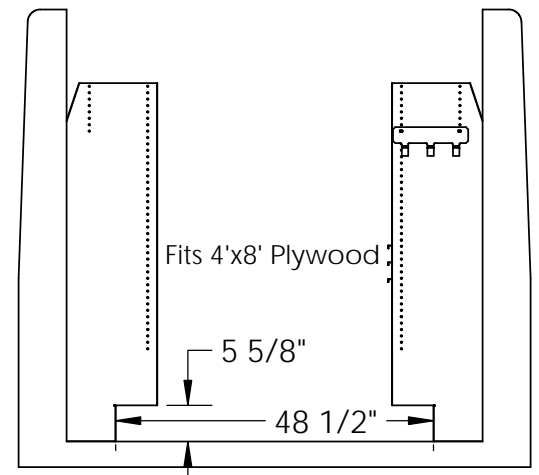
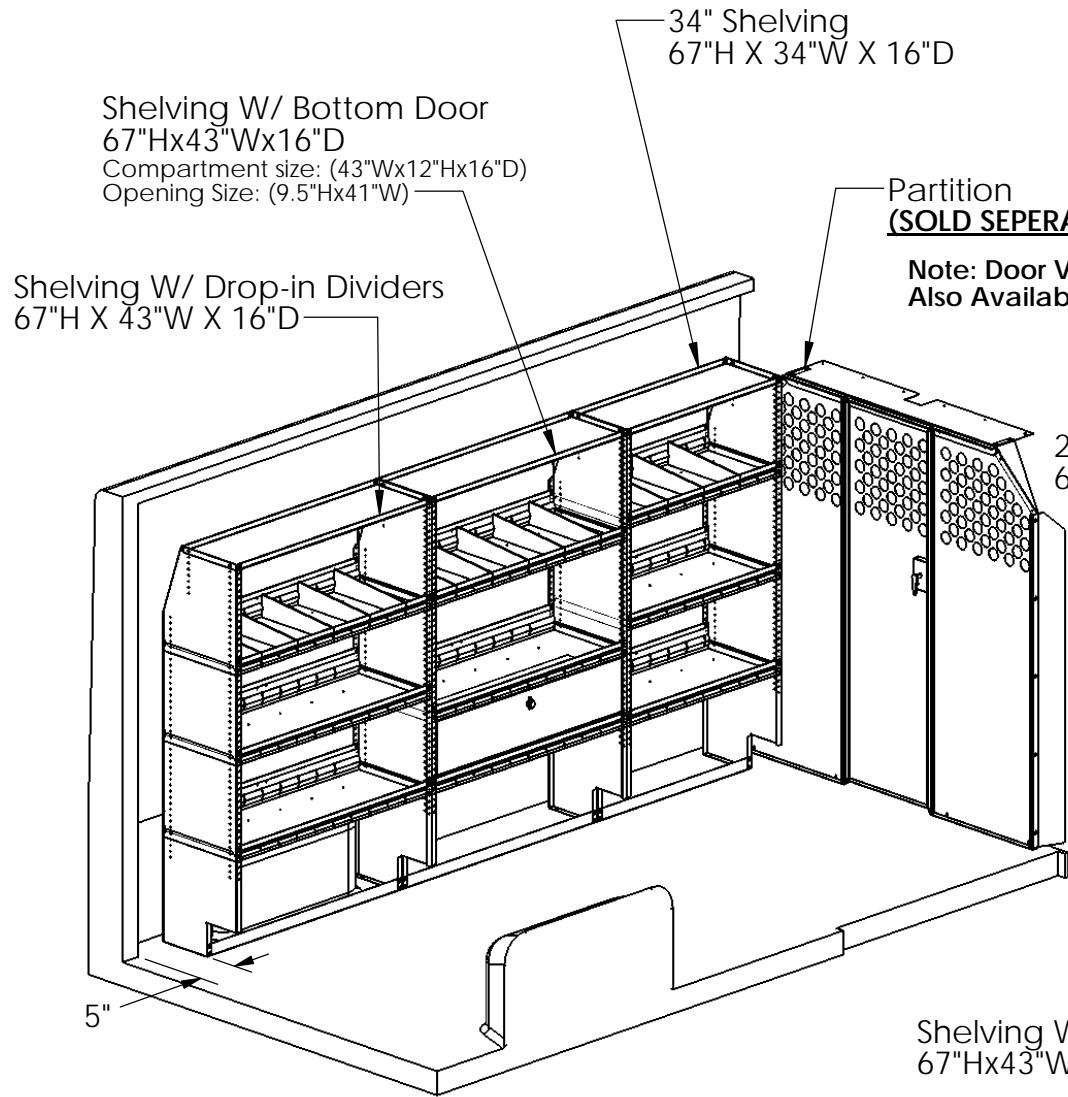
HARBOR TRUCK BODIES

GENERAL SERVICE PACKAGE

FOR 159" WHEEL BASE RAM PROMASTER

REV	DWG	DATE	CHANGE DESCRIPTION	P/N: TBD
1	KB	10/21/13	CREATED PRINT	

THE INFORMATION CONTAINED IN THIS DRAWING IS THE SOLE PROPERTY OF HARBOR TRUCK BODIES ANY REPRODUCTION IN PART OR WHOLE WITHOUT THE WRITTEN PERMISSION OF HARBOR TRUCK BODIES IS PROHIBITED.



Shelving W/6 Drawers
67"Hx43"Wx16"D

Drawer Size: 4X (15.75"Dx2.5"Hx16.5"W)
2X (15.75"Dx5"Hx16.5"W)

UNLESS OTHERWISE SPECIFIED
DIMENSIONS ARE IN INCHES
TOLERANCES ARE:
DECIMALS ANGLES FRACTIONS
X = +/- .1 X = +/- 1° +/- 1/32"
.XX = +/- .03

SIZE	DESCRIPTION	FINISH	DRAWN	DATE
A	Harbor Van Ram Promaster General Service 159" WB	Epoxy Prime	KB	10/21/13
Installed Weight	594 lbs			

PACKAGE PART NUMBERS:
HVRGS-159WB & HVIR-BH
INSTALLED

HARBOR TRUCK BODIES

GENERAL SERVICE PACKAGE

FOR 159" WHEEL BASE RAM PROMASTER

REV	DWG	DATE	CHANGE DESCRIPTION	P/N: TBD
1	KB	10/21/13	CREATED PRINT	

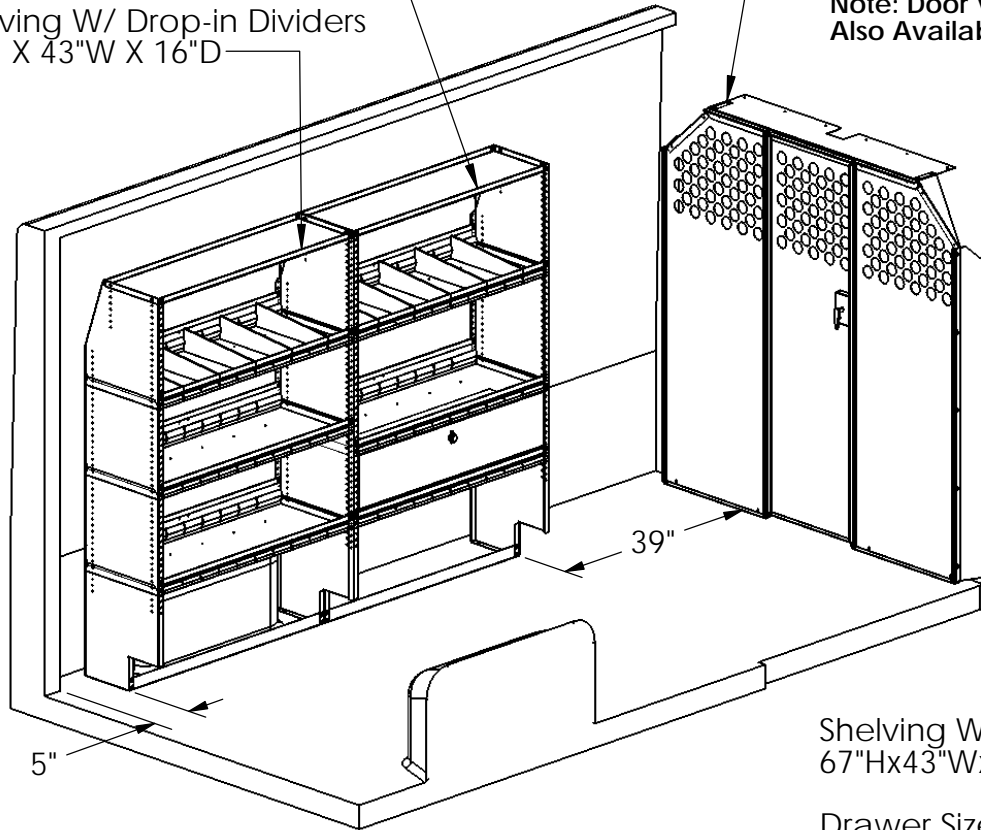
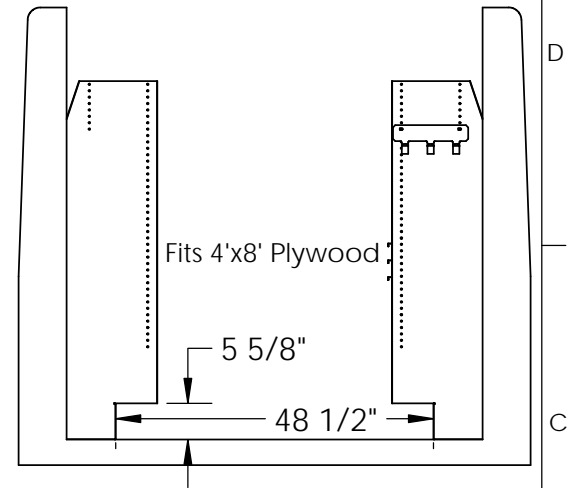
THE INFORMATION CONTAINED IN THIS DRAWING IS THE SOLE PROPERTY OF HARBOR TRUCK BODIES ANY REPRODUCTION IN PART OR WHOLE WITHOUT THE WRITTEN PERMISSION OF HARBOR TRUCK BODIES IS PROHIBITED.

Shelving W/ Bottom Door
67"Hx43"Wx16"D
Compartment size: (43"Wx12"Hx16"D)
Opening Size: (9.5"Hx41"W)

Shelving W/ Drop-in Dividers
67"H X 43"W X 16"D

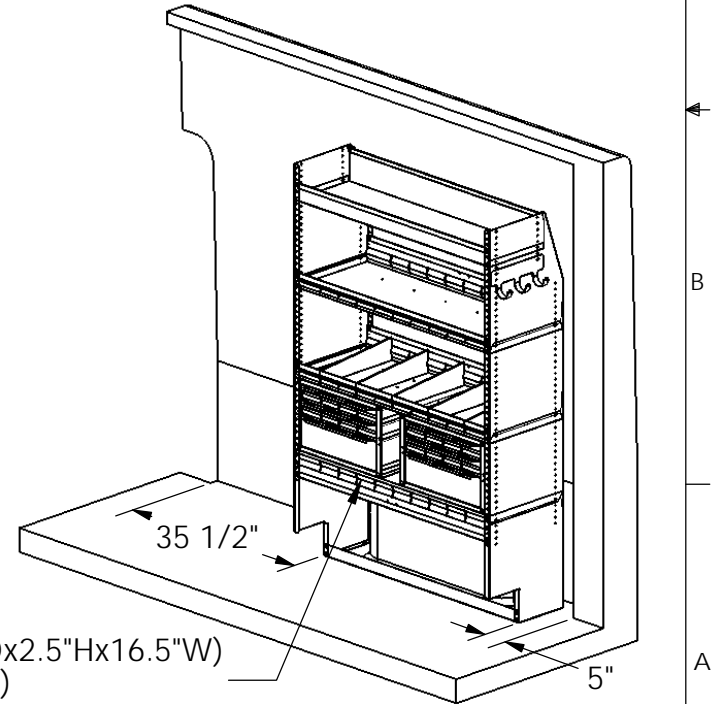
Partition
(SOLD SEPERATE FROM PACKAGE)

Note: Door Version Shown
Also Available Without Door



Shelving W/6 Drawers
67"Hx43"Wx16"D

Drawer Size: 4X (15.75"Dx2.5"Hx16.5"W)
2x (15.75"Dx5"Hx16.5"w)



UNLESS OTHERWISE SPECIFIED
DIMENSIONS ARE IN INCHES
TOLERANCES ARE:
DECIMALS ANGLES FRACTIONS
X = +/- .1 X = +/- 1° +/- 1/32"
.XX = +/- .03

SIZE	DESCRIPTION	FINISH	DRAWN	DATE
A	Harbor Van Ram Promaster General Service 159" WB	Epoxy Prime	KB	10/21/13
Installed Weight	594 lbs			

PACKAGE PART NUMBERS:
HVRGS-H & HVIR-BH
INSTALLED

HARBOR TRUCK BODIES

GENERAL SERVICE PACKAGE & PARTITION FOR 136" WHEEL BASE
RAM PROMASTERS WITH HIGH ROOF

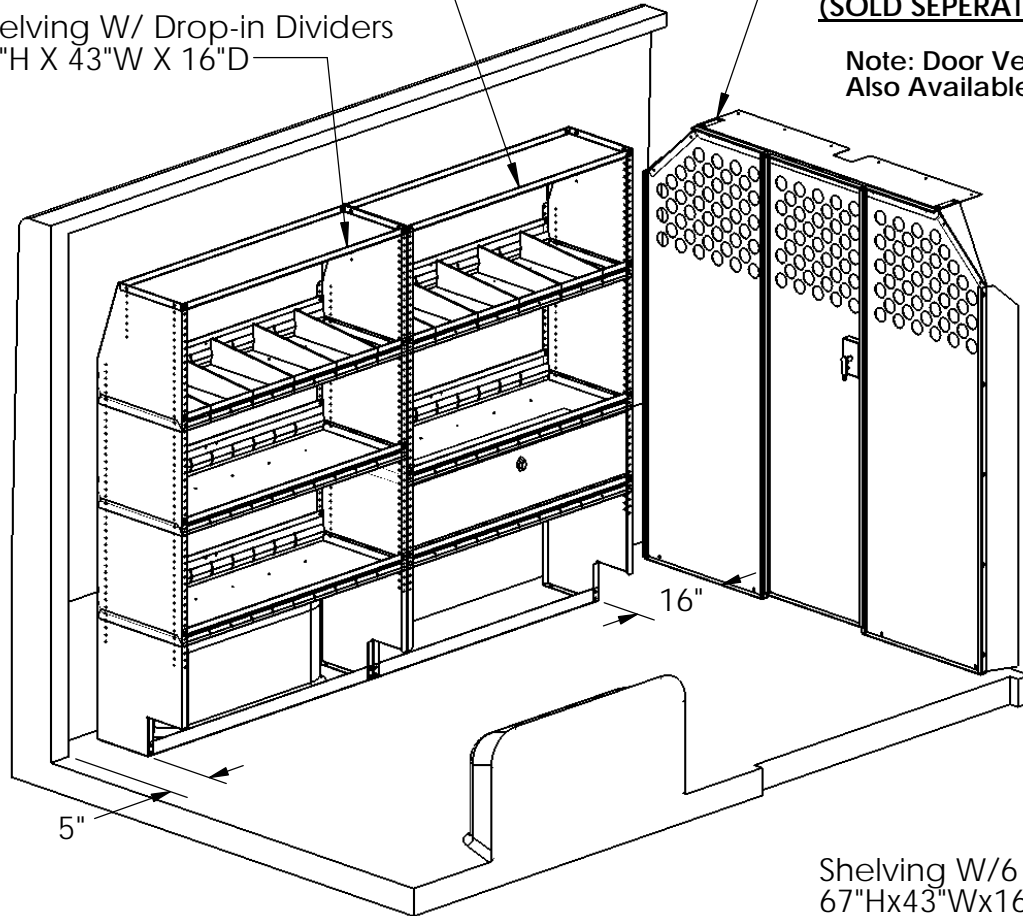
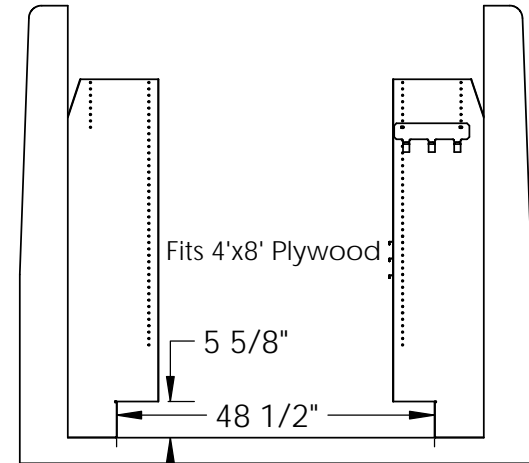
REV	DWG	DATE	CHANGE DESCRIPTION	P/N: TBD
1	KB	10/21/13	CREATED PRINT	

Shelving W/ Bottom Door
67"Hx43"Wx16"D
Compartment size: (43"Wx12"Hx16"D)
Opening Size: (9.5"Hx41"W)

Shelving W/ Drop-in Dividers
67"H X 43"W X 16"D

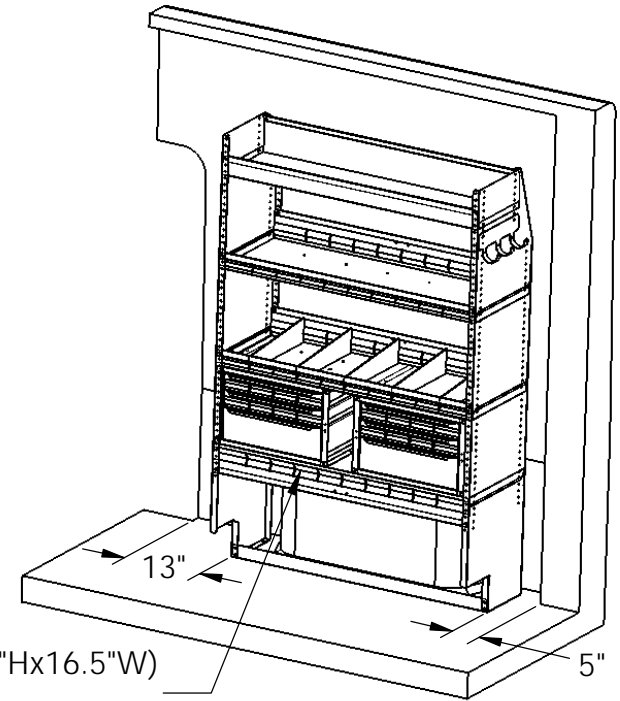
Partition
(SOLD SEPERATE FROM PACKAGE)

Note: Door Version Shown
Also Available Without Door



Shelving W/6 Drawers
67"Hx43"Wx16"D

Drawer Size: 4X (15.75"Dx2.5"Hx16.5"W)
2x (15.75"Dx5"Hx16.5"W)



UNLESS OTHERWISE SPECIFIED
DIMENSIONS ARE IN INCHES
TOLERANCES ARE:
DECIMALS ANGLES FRACTIONS
X = +/- .1 X = +/- 1° +/- 1/32"
.XX = +/- .03

SIZE	DESCRIPTION	FINISH	DRAWN	DATE
A	Harbor Van Ram Promaster General Service Package	Epoxy Prime	KB	10/21/13
Installed Weight	452 lbs			

PACKAGE PART NUMBERS:
HVRGS-H & HVIR-BH
INSTALLED

THE INFORMATION CONTAINED IN THIS DRAWING IS THE SOLE PROPERTY OF HARBOR TRUCK BODIES ANY REPRODUCTION IN PART OR WHOLE WITHOUT THE WRITTEN PERMISSION OF HARBOR TRUCK BODIES IS PROHIBITED.

8 7 6 5 4 3 2 1

8 7 6 5 4 3 2 1

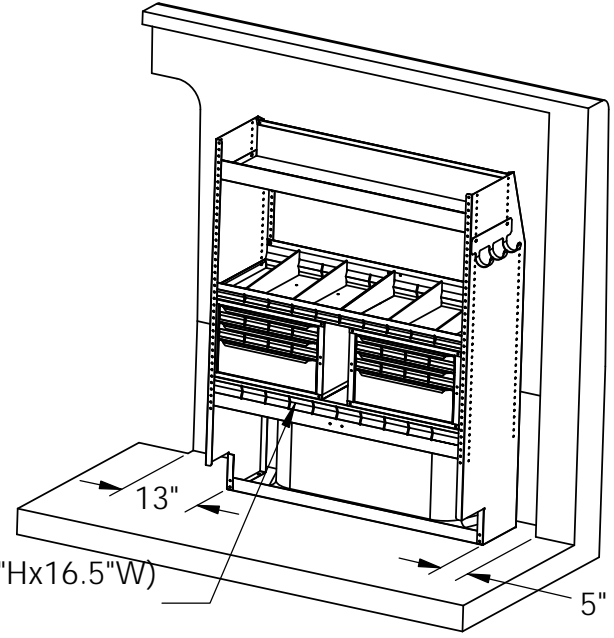
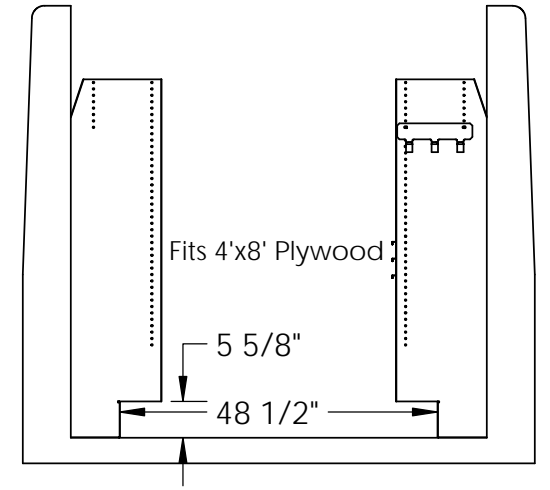
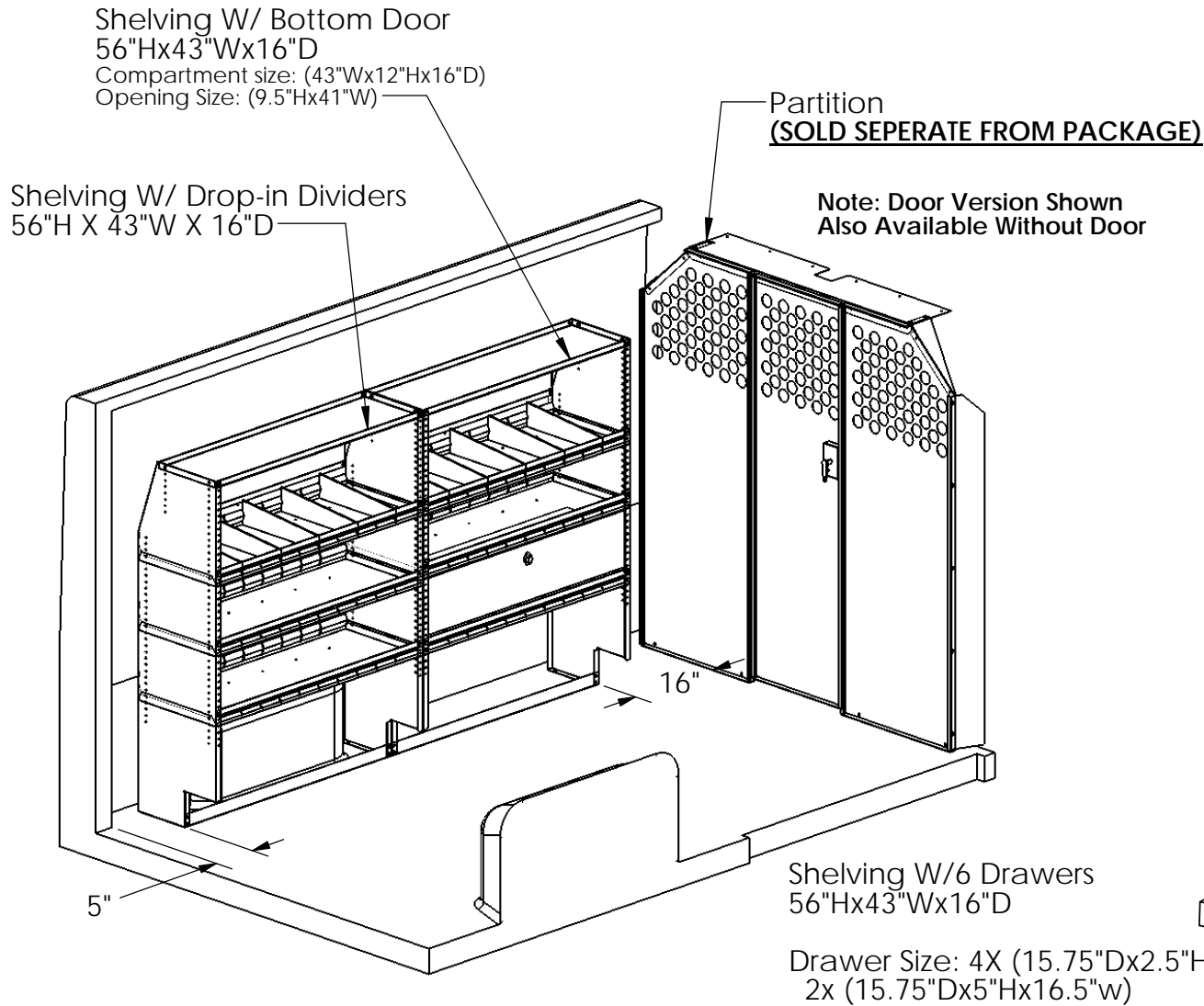
8 7 6 5 4 3 2 1

THE INFORMATION CONTAINED IN THIS DRAWING IS THE SOLE PROPERTY OF HARBOR TRUCK BODIES. ANY REPRODUCTION IN PART OR WHOLE WITHOUT THE WRITTEN PERMISSION OF HARBOR TRUCK BODIES IS PROHIBITED.

HARBOR TRUCK BODIES

GENERAL SERVICE PACKAGE & PARTITION FOR 136" WHEEL BASE RAM PROMASTERS WITH MEDIUM ROOF

REV	DWG	DATE	CHANGE DESCRIPTION	P/N: TBD
1	KB	10/21/13	CREATED PRINT	



UNLESS OTHERWISE SPECIFIED DIMENSIONS ARE IN INCHES TOLERANCES ARE: DECIMALS ANGLES FRACTIONS X = +/- .1 X = +/- 1° +/- 1/32" .XX = +/- .03	SIZE	DESCRIPTION	PACKAGE PART NUMBERS: HVRGS-M & HVIR-BH	
	A	Harbor Van Ram Promaster General Service Package	INSTALLED	
	Installed Weight	434 lbs	FINISH	Epoxy Prime
			DRAWN	DATE
			KB	10/21/13

8 7 6 5 4 3 2 1

HARBOR TRUCK BODIES

GENERAL SERVICE PACKAGE & PARTITION FOR 118" WHEEL BASE RAM PROMASTERS WITH MEDIUM ROOF

REV	DWG	DATE	CHANGE DESCRIPTION	P/N: TBD
1	KB	10/21/13	CREATED PRINT	

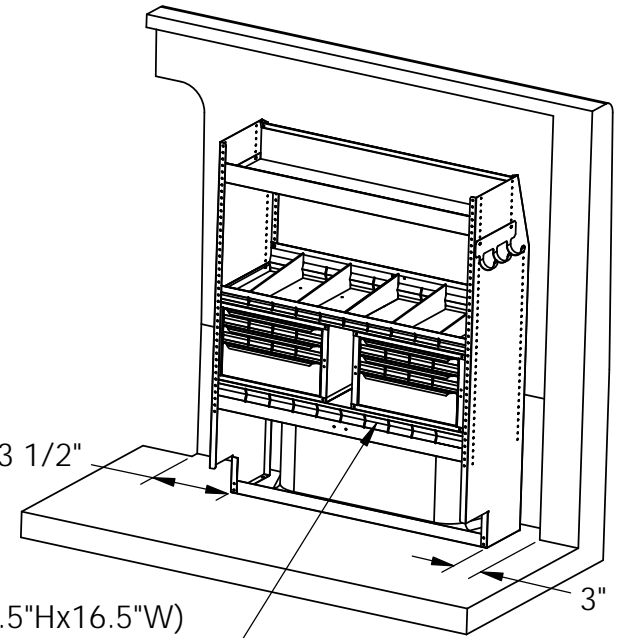
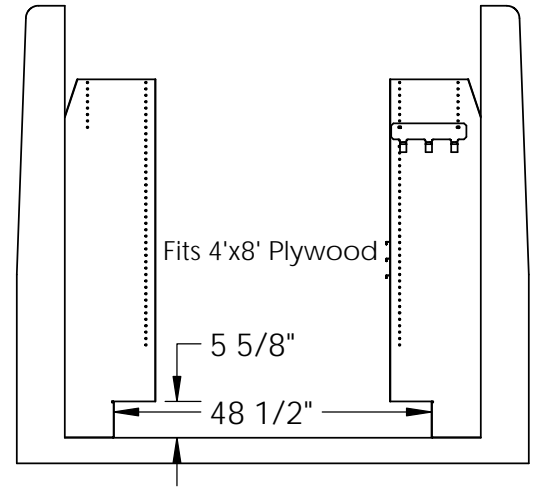
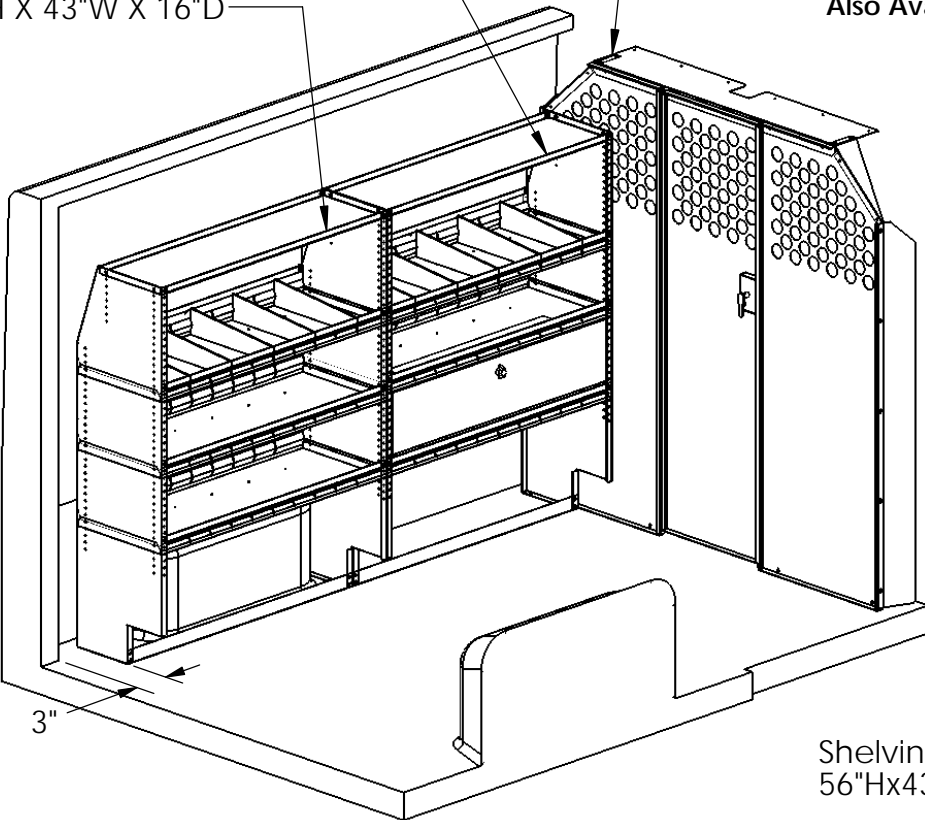
THE INFORMATION CONTAINED IN THIS DRAWING IS THE SOLE PROPERTY OF HARBOR TRUCK BODIES ANY REPRODUCTION IN PART OR WHOLE WITHOUT THE WRITTEN PERMISSION OF HARBOR TRUCK BODIES IS PROHIBITED.

Shelving W/ Bottom Door
56"Hx43"Wx16"D
Compartment size: (43"Wx12"Hx16"D)
Opening Size: (9.5"Hx41"W)

Shelving W/ Drop-in Dividers
56"H X 43"W X 16"D

Partition
(SOLD SEPERATE FROM PACKAGE)

Note: Door Version Shown
Also Available Without Door



Shelving W/6 Drawers
56"Hx43"Wx16"D

Drawer Size: 4X (15.75"Dx2.5"Hx16.5"W)
2x (15.75"Dx5"Hx16.5"w)

UNLESS OTHERWISE SPECIFIED
DIMENSIONS ARE IN INCHES
TOLERANCES ARE:
DECIMALS ANGLES FRACTIONS
X = +/- .1 X = +/- 1° +/- 1/32"
.XX = +/- .03

SIZE	DESCRIPTION	FINISH	DRAWN	DATE
A	Harbor Van Ram Promaster General Service Package	Epoxy Prime	KB	10/21/13
Installed Weight	434 lbs			

PACKAGE PART NUMBERS:
HVRGS-M & HVIR-BH
INSTALLED

8 7 6 5 4 3 2 1