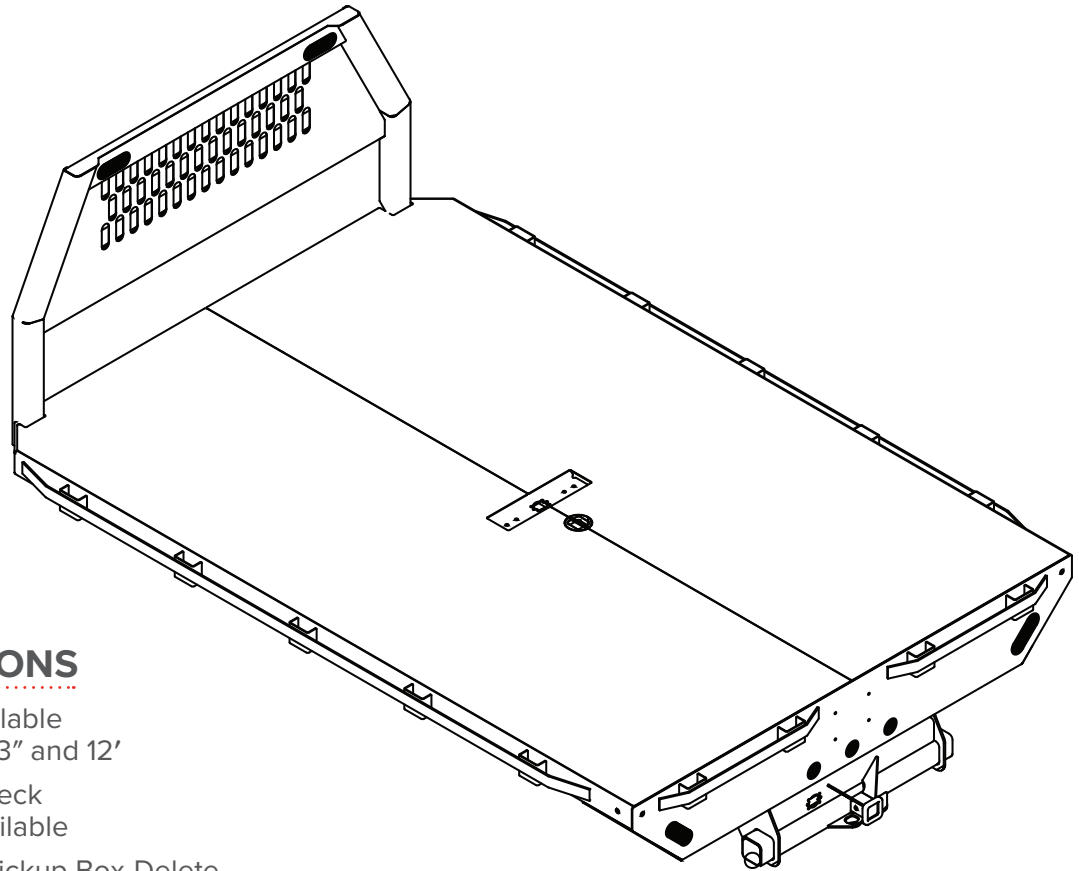




READING

— NO BODY BETTER —

REDI-DEK
HAULER BODIES



NEW SPECIFICATIONS

- Variety of lengths available including 8'6", 9'3", 11'3" and 12'
- Standard and Gooseneck configurations are available
- Models available for Pickup Box-Delete and Chassis Cab applications
- Configurations for both SRW (84") and DRW (96") widths
- Long sills are structural channel (4" x 5.4 lb)
- Cross-members are 10-gauge on 16" centers
- Body is set up for 34" frame spacing (CC models) or 36.5" frame spacing (PU Box-Delete Models)
- Polyester powder-coated, 90% gloss black
- Integral, welded bulkheads are 14-gauge with 12-gauge tubular supports
- Bulkheads include window cutouts and additional header lighting for visibility
- All lighting is 100% LED and installed
- Platform is 12-gauge deckplate
- Rear apron is 12-gauge smooth
- Bumper rails include external stake pockets with 1/4"x2" tie-down rail
- Class IV receiver hitch included standard on Chassis-Cab models (not available on PU models)
- Receiver rating: 12,000 lb (5440 kg) gross trailer weight and 1,200 (544 kg) vertical load*

"GOOSENECK" HAULER BODIES

Gooseneck models provide:

- Flip-ball hitch system (B&W Turnoverball™ Hitch) with manufacturer's lifetime limited warranty
- System includes solid, 1-piece machined receiver socket and solid, machined 2-5/16" ball
- 4" wide recess allows safety-chain rings to sit below the floor, providing a flat load surface
- Gooseneck hitch rating: 30,000 lb (13,600 kg) gross trailer weight and 7,500 lb (3,400 kg) vertical load*

* Always observe GVWR, GAWR, GCWR and legal limits.



A product of the USA



REDI-DEK CONFIGURATIONS / DIMENSIONS

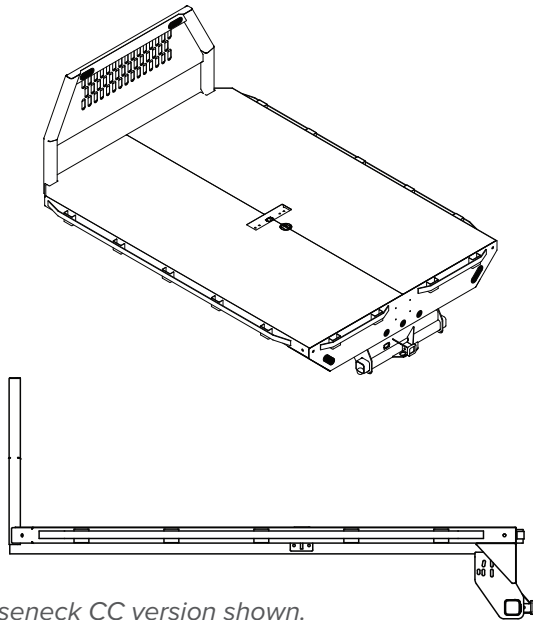
Now available to order

Standard Hauler								
Model	Length	Width	Chassis	Chassis Type	Long Rail Spacing	C/A	Trailer Receiver Hitch	Turnover Ball Hitch
RDEK ST 0806 SW PU	8'6"	84"	SRW	PUBD	36.7"	56"	No	No
RDEK ST 0903 DW H4 CC	9'3"	96"	DRW	CC	34"	60"	Yes	No
RDEK ST 1103 DW H4 CC	11'3"	96"	DRW	CC	34"	84"	Yes	No
RDEK ST 1200 DW H4 CC	12'	96"	DRW	CC	34"	84"	Yes	No
Gooseneck Hauler								
Model	Length	Width	Chassis	Chassis Type	Long Rail Spacing	C/A	Trailer Receiver Hitch	Turnover Ball Hitch
RDEK ST 0806 SW GN PU	8'6"	84"	SRW	PUBD	36.7"	56"	No	Yes
RDEK ST 0806 DW GN PU	8'6"	96"	DRW	PUBD	36.7"	56"	No	Yes
RDEK ST 0806 DW GN H4 CC	8'6"	96"	DRW	CC	34"	60"	Yes	Yes
RDEK ST 0903 DW GN H4 CC	9'3"	96"	DRW	CC	34"	60"	Yes	Yes
RDEK ST 1103 DW GN H4 CC	11'3"	96"	DRW	CC	34"	84"	Yes	Yes

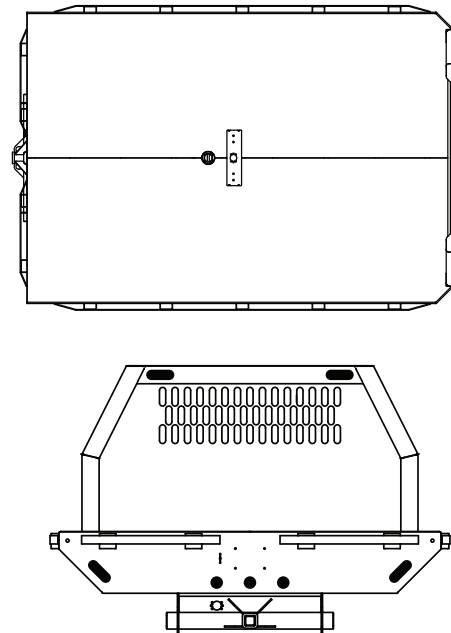
PUBD = Pick-up Box Delete
CC = Cab Chassis

SRW = Single Rear Wheel
DRW = Dual Rear Wheel

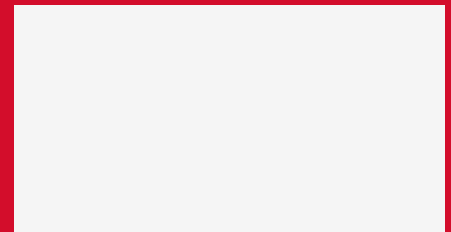
LINE DRAWINGS



* Gooseneck CC version shown.



Sold and Serviced Locally by



All dimensions subject to plus or minus tolerance of 1/4" and all dimensions and all specifications are subject to change without notice. Some items displayed in photographs are optional. Aluma-Fill, Aluma-Chock, Dual-Pro, Extend-A-Shelf, Grip-'n-Glide, Latch-Matic, Marauder, Reading, Redi-Dek, Spacemaker, Tool-Mates, and are registered trademarks of Reading Truck Body, LLC in the United States and some foreign countries. The Reading Kangaroo is a trademarked image and may not be reproduced or used without express permission from Reading Truck Group.