

KNAPHEIDE
SINCE 1848

// FORD

ALUMINUM SERVICE BODIES



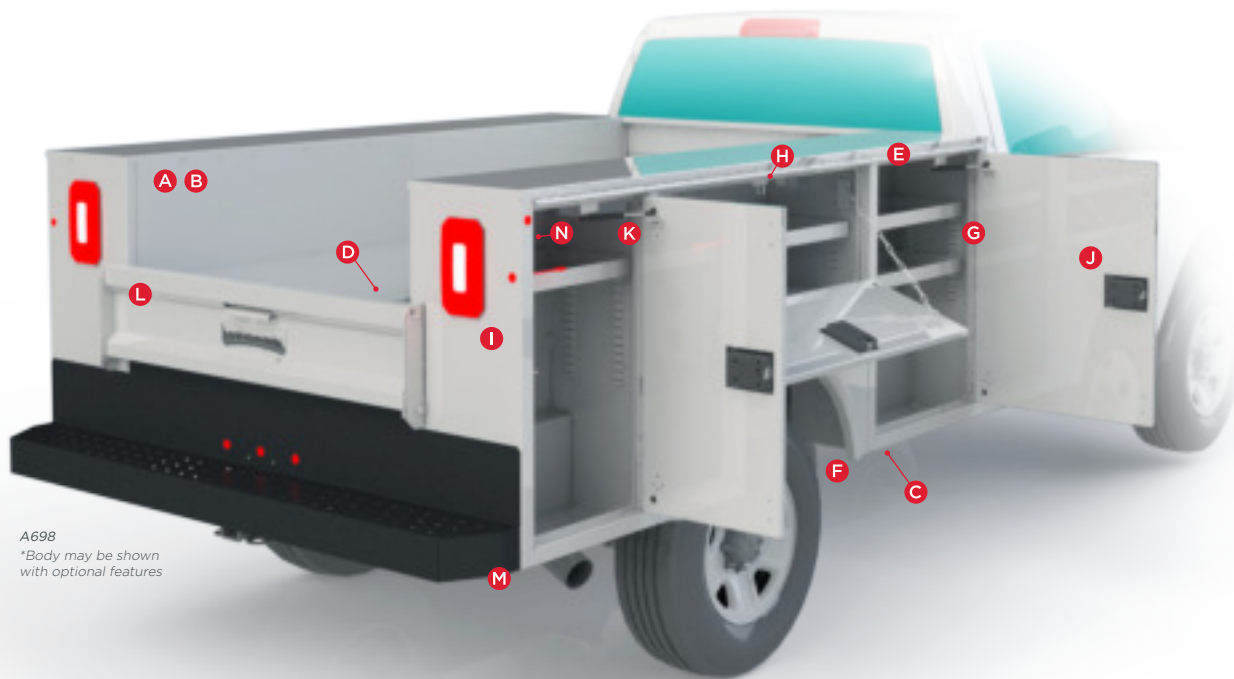
ALUMINUM SERVICE BODIES

Aluminum service bodies from Knapheide feature a superior design and innovative construction.

Utilizing military-grade aluminum and structural adhesives are just a few of the features that place our aluminum service bodies far ahead of the competition.

In order to provide customers with the utmost confidence in our aluminum service bodies, we put them through the most rigorous testing program in history. They were subjected to the harshest environments and applications possible in our lab, on proving grounds — and by real customers like you.

Choose a Knapheide Aluminum Service Body and you'll get corrosion resistance, increased payload, and an aluminum service bed that is just as durable as steel.



A698
*Body may be shown
with optional features

STANDARD SHELVING

All Knapheide Service Bodies come with the following standard shelving units:

- Two adjustable divider shelves and dividers, in the street and curb side front vertical compartments (1st and 2nd vertical 132" bodies only)
- One adjustable divider shelf and dividers in the street and curb side full height rear vertical compartments
- One adjustable divider shelf and dividers in the curb side horizontal compartment

REQUEST A QUOTE

Visit [knapheide.com/quote](https://www.knapheide.com/quote) and fill out the form to receive a quote and additional product information.

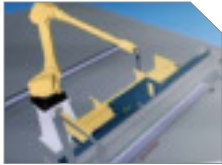
STANDARD FEATURES



A Constructed of 6061 T6 and 5052 aluminum



H Security ring strikers adjust to provide a weather-tight seal



B Aerospace design and assembly for unmatched durability



I Upgraded surface mount lighting system features LED S/T/T and B/U, LED strobe option with (8) selectable patterns, and built-in reflectivity for additional safety

**Additional wire harness required for strobe lights
Lights covered by 3-year limited warranty



C All-aluminum 6061 T6 understructure



J Automotive-quality rotary latches with easy open handle and interior cover



D Floor constructed of rugged 6061 T6 aluminum extrusions and exclusive "Return Flange" floor design



K Nitrogen strut door retainers



E Inset door frame design with double tray aluminum doors and neoprene seals for weather-tight closing



L Includes slam-lock tailgate with one-hand center release



F TPO fender skirts



M Quick-mount installation allows for fast, safe mounting



G Continuous aluminum hinge with stainless steel rods



N Interior light guards protect recessed lighting and wiring

COMPARTMENT CONFIGURATIONS



// 500 SERIES COMPARTMENTS

The 500 Series Service Bodies feature a horizontal compartment that stretches from the first vertical compartment to the end of the body with a small, rear lower compartment.



// 600 SERIES COMPARTMENTS

The 600 Series Service Bodies feature a horizontal compartment that is positioned over the wheel well and one vertical compartment in the front of the body and one at the rear of the body.

// 700 SERIES COMPARTMENTS

The 700 Series has 500 Series configuration on the curb side and 600 Series on the street side.



// LOW PROFILE BODY

Low Profile Bodies, denoted by “LP”, offer greater visibility from the cab while only sacrificing 4” of the body height compared to a standard Service Body.



// RAISED FRONT COMPARTMENTS

Raised front vertical compartment configuration raises the curb side front vertical compartment to 60” tall.



// **FLIP TOP** COMPARTMENTS

Flip Tops, denoted by “F”, allow for greater internal storage, organization and flexibility. Knapheide Flip Tops have a slammable top lid door and a convenient one-hand release located in the rear compartment.

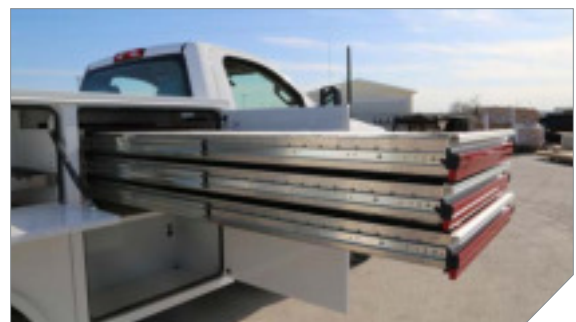


// **PLUS 50** COMPARTMENTS

Plus 50 models feature a transverse compartment in the curb side front vertical extending to the street side compartment back. Plus 50 models have 50% more effective storage capacity.

Depending on body model, compartments have either two or three drawers, 59” or 69” long. All drawers are rated for 250-lb. and have dividers every 4”.

TWO OR THREE-DRAWER UNIT



POPULAR OPTIONS



FRONT STROBE



LED COMPARTMENT LIGHTS



GRAB HANDLES



CABLE STEPS



MASTER LOCKS



POWER LOCKS



ALUMINUM DRAWERS



SORTIMO COMPARTMENT STORAGE/MOBILITY



MODULAR CAB GUARD



ALUMINUM TREAD PLATE TRIM KITS



METER TRAY WITH HOLES



PULL-OUT TRAY



CARGO TIE-DOWNS



E-TRACK & ACCESSORIES



BOTTLE GAS RETAINER



REAR ACCESS DOOR WITH FULL-LENGTH SHELF



SINGLE POINT OR THREE POINT T-HANDLE

Other options not shown:

ROCK GUARDS

REAR ACCESS DOOR

// BUMPERS

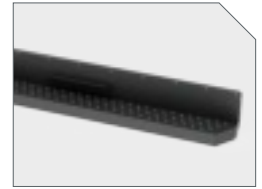
Knapheide bumpers are constructed with work in mind. Bumpers available with KnapLiner coating for additional grip and durability.



STEP BUMPERS



HITCH RECESS BUMPERS



STRAIGHT BUMPERS

// RACK

Adding a rack to your Aluminum Service Body increases your storage space by getting your ladders and other long tools or equipment up and out of the way, making room to haul more items in your cargo area.



UTILITY RACK

// SERVICE BODY PACKAGES

Need your work truck fast? These preconfigured packages are built for quicker delivery to you. Ask your Knapheide rep for more information.

1848 PACKAGE

- Painted white
- Lights installed and wired
- Power locks installed
- LED compartment lights installed
- Sortimo BOXX package in left horizontal compartment
- Aluminum tread plate rock guards and tailgate trim installed

PIONEER PACKAGE

- Painted white
- Lights installed and wired
- Masterlocks installed
- Aluminum tread plate rock guards installed
- Aluminum tread plate trim kit installed: includes tops of compartments and tailgate

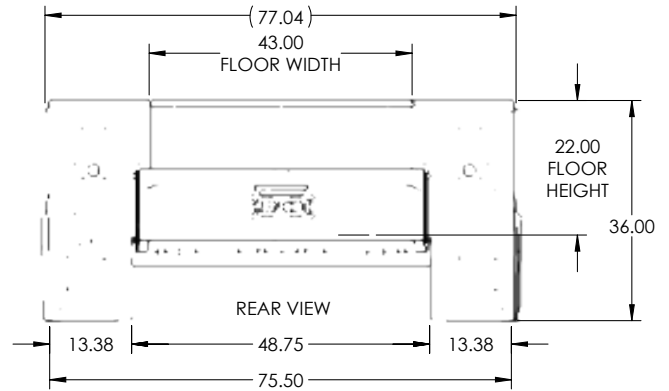
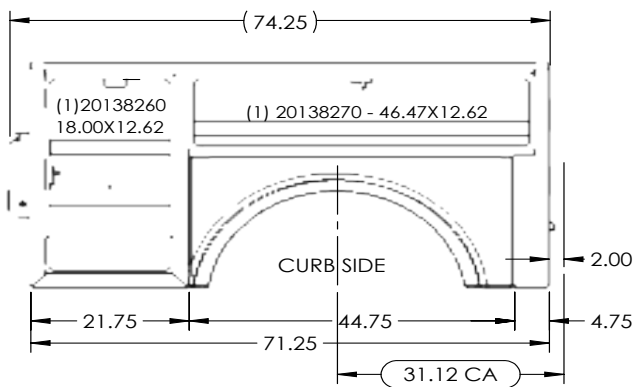
SPECIFICATIONS

// 31" CA SINGLE REAR WHEEL (FORD RANGER SERIES)

MODEL	TYPE	HEIGHT	WEIGHT
A672LP	Low Profile	36"	336 lb.

TRUCK	CAB	GVWR
R1A/R1E/R1F	Super	6,050 lb.

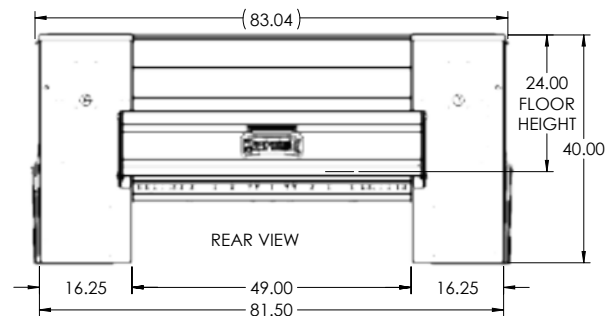
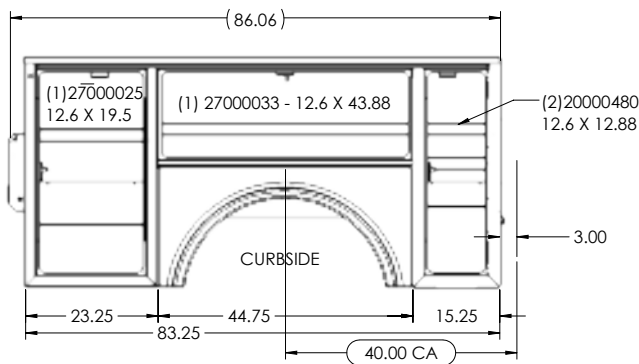
Note: Box Removal is only recommended on XL models without Co-Pilot360 option



// 40" CA SINGLE REAR WHEEL

MODEL	TYPE	HEIGHT	WEIGHT
A682	Standard	40"	547 lb.
A682LP	Low Profile	36"	520 lb.
A682F	Flip Top (L)	37.25"	621 lb.
A682F40	Flip Top (H)	41.25"	648 lb.

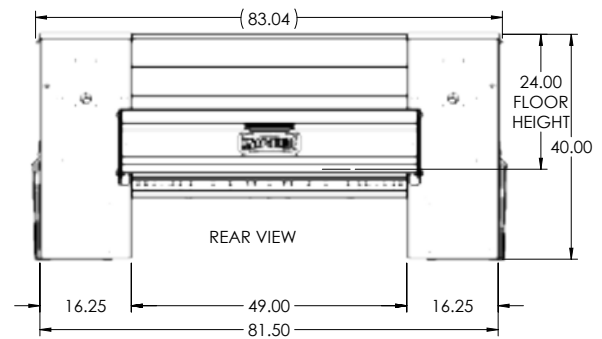
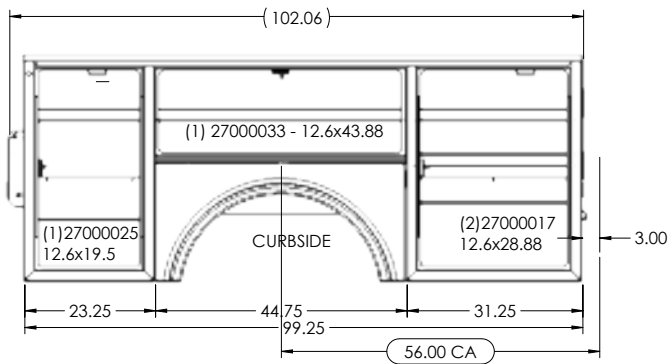
TRUCK	CAB	GVWR
X2A/X2B	Super	9,900/10,800 lb.
W2A/W2B	Crew	9,900/10,800 lb.
X3A/X3B	Super	9,900/11,500 lb.
W3A/W3B	Crew	9,900/11,500 lb.



// 56" CA SINGLE REAR WHEEL

MODEL	TYPE	HEIGHT	WEIGHT
A698	Standard	40"	630 lb.
A698LP	Low Profile	36"	600 lb.
A698F	Flip Top (L)	37.25"	720 lb.
A698F40	Flip Top (H)	41.25"	750 lb.
A698D41	Standard	40"	637 lb.
A698D41LP	Low Profile	36"	608 lb.
A698D41F	Flip Top	37.25"	742 lb.

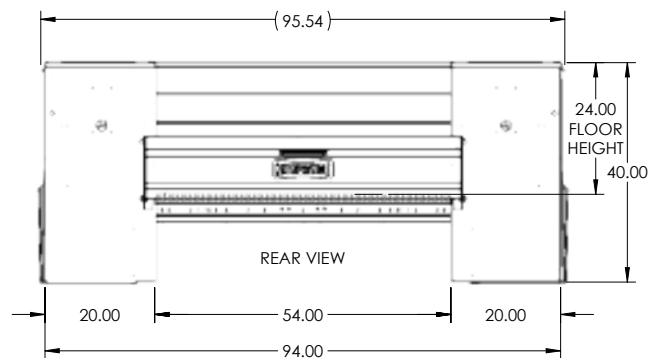
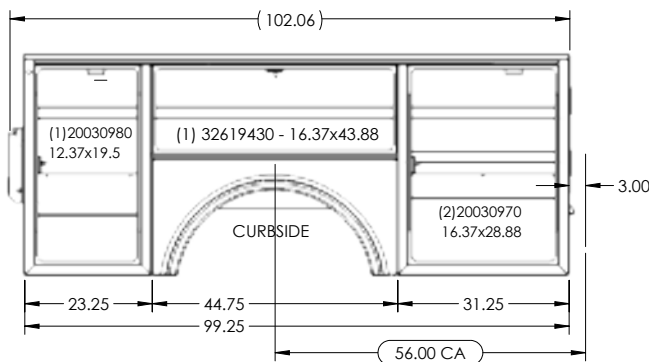
TRUCK	CAB	GVWR
F2A/F2B	Regular	9,900/10,000 lb.
X2A/X2B	Super	9,900/11,300 lb.
W2A/W2B	Crew	9,900/11,500 lb.
F3A/F3B	Regular	10,000/11,500 lb.
X3A/X3B	Super	10,000/11,500 lb.
W3A/W3B	Crew	10,000/11,500 lb.



// 56" CA DUAL REAR WHEEL

MODEL	TYPE	HEIGHT	WEIGHT
A698D54	Standard	40"	703 lb.
A698D54LP	Low Profile	36"	671 lb.
A698D54F	Flip Top (L)	37.25"	808 lb.
A698D54F40	Flip Top (H)	41.25"	836 lb.

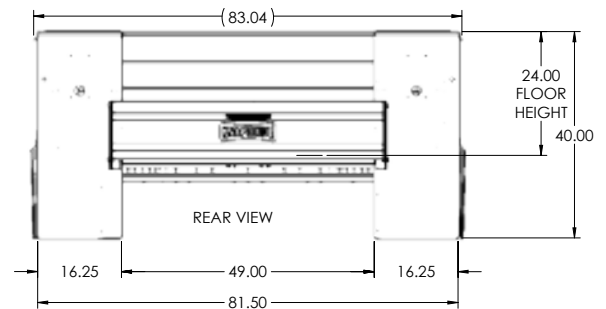
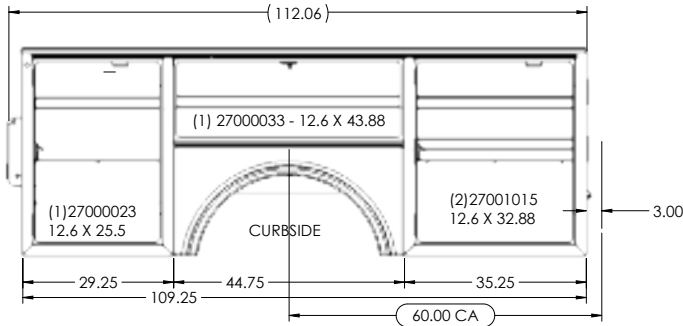
TRUCK	CAB	GVWR
F3C/F3D	Regular	13,000/14,000 lb.
X3C/X3D	Super	13,000/14,000 lb.
W3C/W3D	Crew	13,000/14,000 lb.



// 60" CA SINGLE REAR WHEEL

MODEL	TYPE	HEIGHT	WEIGHT
A6110	Standard	40"	681 lb.
A6110LP	Low Profile	36"	649 lb.
A6110F	Flip Top (L)	37.25"	780 lb.
A6110F40	Flip Top (H)	41.25"	812 lb.

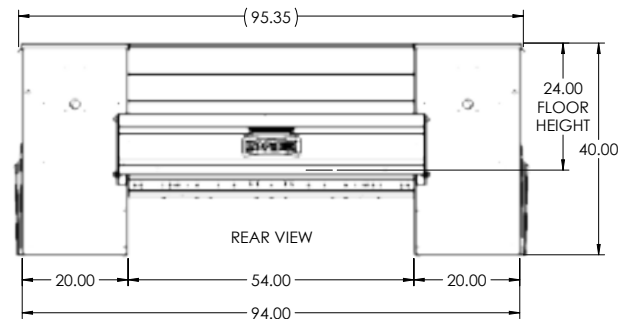
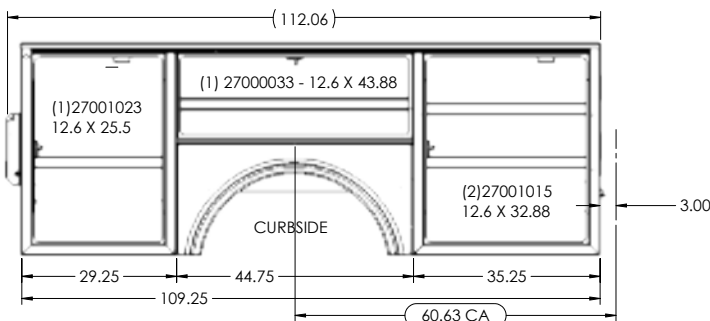
TRUCK	CAB	GVWR
F3E/F3F	Regular	9,800/11,500 lb.
X3E/X3F	Super	9,800/11,500 lb.
W3E/W3F	Crew	9,800/11,500 lb.



// 60" CA DUAL REAR WHEEL

MODEL	TYPE	HEIGHT	WEIGHT
A6110D54	Standard	40"	764 lb.
A6110D54LP	Low Profile	36"	725 lb.
A6110D54F	Flip Top (L)	37.25"	872 lb.
A6110D54F40	Flip Top (H)	41.25"	907 lb.

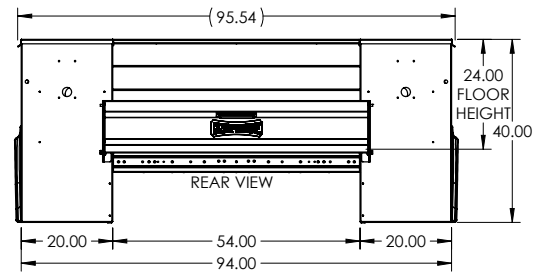
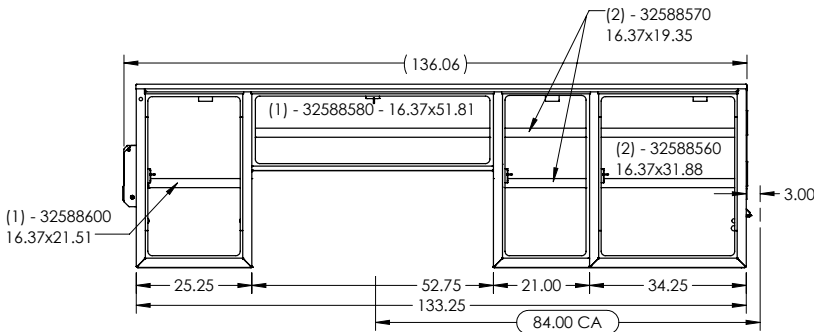
TRUCK	CAB	GVWR
F3G/F3H	Regular	14,000 lb.
X3G/X3H	Super	14,000 lb.
W3G/W3H	Crew	14,000 lb.
F4G/F4H	Regular	15,000/16,500 lb.
X4G/X4H	Super	15,000/16,500 lb.
W4G/W4H	Crew	15,000/16,500 lb.
F5G/F5H	Regular	17,500/19,500 lb.
X5G/X5H	Super	17,500/19,500 lb.
W5G/W5H	Crew	17,500/19,500 lb.



// 84" CA DUAL REAR WHEEL

MODEL	TYPE	HEIGHT	WEIGHT
A6132D54	Standard	40"	902 lb.
A6132D54LP	Low Profile	36"	862 lb.
A6132D54F	Flip Top (L)	37.25"	1,033 lb.
A6132D54F40	Flip Top (H)	41.25"	1,073 lb.

TRUCK	CAB	GVWR
F3G/F3H	Regular	14,000 lb.
F4G/F4H	Regular	15,000/16,500 lb.
X3G/X4H	Super	15,000/16,500 lb.
W4G/W4H	Crew	15,000/16,500 lb.
F5G/F5H	Regular	17,500/19,500 lb.
X5G/X5H	Super	17,500/19,500 lb.
W5G/W5H	Crew	17,500/19,500 lb.



COMMITMENT TO CORROSION RESISTANCE

Aluminum bodies are naturally corrosion resistant. Where steel fasteners are used, those fasteners are coated with "EcoGuard" to eliminate the interaction between the steel and aluminum.

This aluminum assembly method allows us to create products with the highest level of corrosion resistance available.

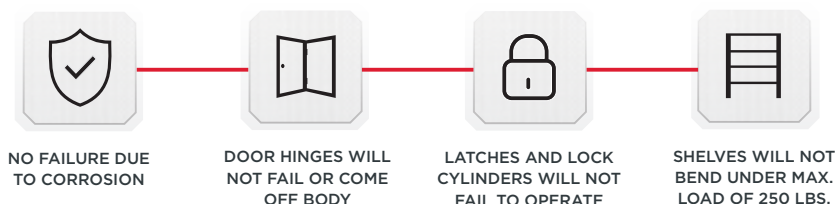
NEVER SETTLE

If you are going to be a leader, it takes more than building a high-quality product. It means never being totally satisfied with that product, no matter how high quality it may be. It requires constant vigilance and a willingness to take a chance on something new. And it means exceeding expectations every time. As the industry changes, one thing never will—our commitment to making customers like you as productive and efficient as possible. We know you don't settle, and we don't either. That's why we want you never to settle for anything less than Knapheide on the back of your truck.

Knapheide. Never settle.

TEN-YEAR, LIMITED WARRANTY

ALUMINUM SERVICE BODIES



Visit www.knapheide.com/warranty for more information.



The Knapheide Manufacturing Company
1848 Westphalia Strasse | Quincy, IL 62305

217-222-7131
www.knapheide.com

KNAPHEIDE
SINCE 1848