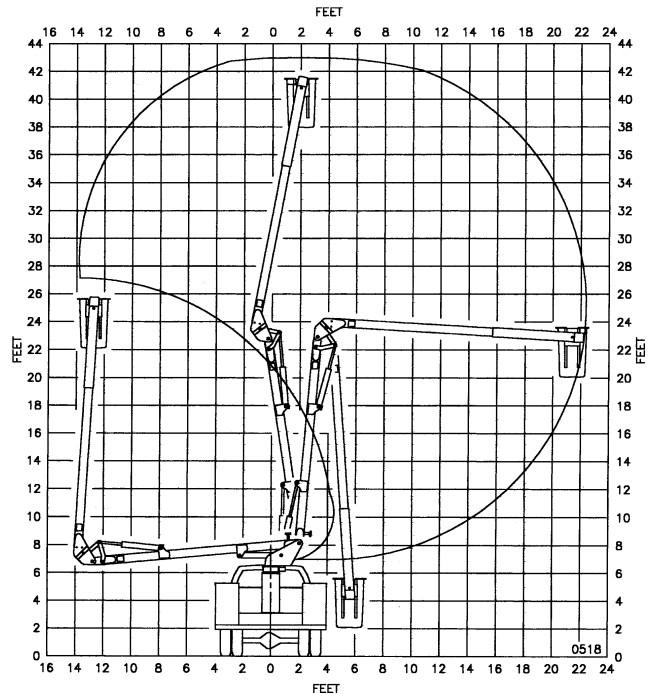





# UTEM SKYJACKER

UJI/UJN3014, UJI/UJN3416, UJI/UJN3818, UJI/UJN4321



-  Hydraulic overcenter limit
-  Exclusive 540 degree boom rotation with hourglass worm gear drive  
Provides smooth and self locking rotation with a mechanical stop
-  Upper and lower booms are high strength, low alloy steel  
Provides low weight and maximum strength

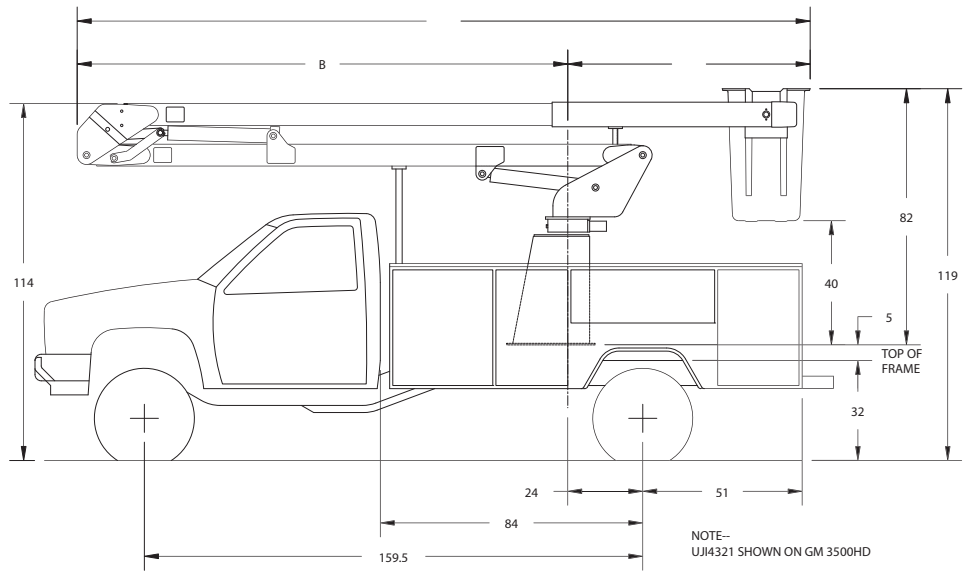
Strength, innovation and service from UTEM



Utility Truck Equipment MFG, L.L.C.  
PO Box 9  
Hewitt, TX 76643  
Phone: 254-857-8204 Fax: 254-857-9253  
[www.UTEMbuckets.com](http://www.UTEMbuckets.com)

# UTEM SKYJACKER MODELS

	DIM A	DIM B	DIM C
UJI4321 OR UJN4321	234.6	157.0	77.6
UJI3818 W/CHASSIS INSULATION	204.6	134.0	70.6
UJI3818 OR UJN3818	204.6	127.0	77.6
UJI3416 OR UJN3416	180.6	103.0	77.6
UJI3014 OR UJN3014	156.6	79.0	77.6



0514

## Dimensional Specifications

	UJI/N3014	UJI/N3416	UJI/N3818	UJI/N4321
Horizontal side reach	15 ft 4 in (4.67m)	17 ft 6 in (5.33m)	19 ft 8 in (5.99m)	22 ft 5 in (6.83m)
Height to bottom of basket <sup>1</sup>	25 ft 6 in (7.77m)	29 ft 6 in (8.99m)	33 ft 5 in <sup>2</sup> (10.19m)	38 ft 4 in <sup>2</sup> (11.68m)
Working height <sup>1</sup>	30 ft 6 in (9.30m)	34 ft 6 in (10.58m)	38 ft 5 in <sup>2</sup> (11.71m)	43 ft 4 in <sup>2</sup> (13.21m)
Stowed height <sup>1</sup>	10 ft 4 in (3.15m)			

Upper boom articulation in degrees	160° Relative to the lower boom
Lower boom articulation in degrees	-5° to 95°
Standard basket capacity	350 lbs (159kg)

Standard insulation gap is 42 in (1.07m) on UJI models  
 UJI Tested and rated for Category C 46kV and below per ANSI A92.2-2001  
 UTEM aerials meet or exceed ANSI A92.2-2001 and OSHA requirements

- <sup>1</sup> Based on 36 in (0.91m) chassis frame height  
<sup>2</sup> Add 7 in (.18m) with chassis insulation system

## Hydraulic Specifications

Operating pressure UJI/N3014	2000PSI (141kg/cm <sup>2</sup> )
Operating pressure UJI/N3416	2200PSI (155kg/cm <sup>2</sup> )
Operating pressure UJI/N3818, 4321	2500PSI (176kg/cm <sup>2</sup> )
Reservoir capacity with sight gauge	10 Gal (38l)
Suction strainer mounted in reservoir	100 mesh
Return line filter with bypass	10 Micron

## Mechanical Specifications

540° Boom rotation with mechanical stop  
 Rotation drive is hourglass worm gear acting on a shear ball bearing  
 Upper control override integral to the lower control valve  
 Upper control emergency stop integral to the control valve  
 Basket leveling by chain and rod mechanical system  
 Hydraulic boom overcenter limit system  
 Boom cylinders have integral load holding valves  
 High strength boom pins with greaseable pin bosses  
 Booms are high strength low alloy steel with 70000 PSI yield  
 Pedestal is welded structure with reservoir mounted inside  
 Standard color is UTEM white enamel over an epoxy primer  
 Body harness with shock absorbing lanyard

## Optional Equipment

Baskets with molded step or steps  
 Extended fiberglass section for 78 in (2.0m) insulation gap  
 Chassis insulation system on UJI3818 and UJI4321  
 Continuous and unrestricted boom rotation  
 Manual basket tilt  
 "EHM" electric/hydraulic drive system  
 "DPM" dual hydraulic power system  
 Emergency lowering - 12VDC powered  
 Bridge mount pedestal and remote reservoir  
 Hydraulic tool outlet at upper and/or lower controls  
 Single stick upper controls  
 Outriggers for increased stability  
 Torsion bars for increased stability

## Minimum Chassis Requirements

	UJI/N3014	UJI/N3416	UJI/N3818	UJI/N4321
Vehicle GVWR	10100 lbs	10100 lbs	10100 lbs	14500 lbs
Front axle GAWR	4000 lbs	4000 lbs	4000 lbs	5000 lbs
Rear axle GAWR	7500 lbs	7500 lbs	7500 lbs	11000 lbs
Frame section modulus	5.4 in <sup>3</sup>	5.4 in <sup>3</sup>	5.4 in <sup>3</sup>	6.5 in <sup>3</sup>
RBM of frame	195k in lbs	195k in lbs	195k in lbs	234k in lbs
Approximate weight for stability	7100 lbs	8800 lbs	10000 lbs	11000 lbs



Utility Truck Equipment MFG, L.L.C  
 PO Box 9, 821 Enterprise  
 Hewitt, TX 76643

[www.UTEMbuckets.com](http://www.UTEMbuckets.com)