

# HARBOR TRUCK BODIES

## ELECTRICAL HIGH PACKAGE

### FOR 159" WHEEL BASE RAM PROMASTER

REV	DWG	DATE	CHANGE DESCRIPTION	P/N: TBD
1	KB	10/21/13	CREATED PRINT	

THE INFORMATION CONTAINED IN THIS DRAWING IS THE SOLE PROPERTY OF HARBOR TRUCK BODIES. ANY REPRODUCTION IN PART OR WHOLE WITHOUT THE WRITTEN PERMISSION OF HARBOR TRUCK BODIES IS PROHIBITED.

D  
C  
B  
A

Shelving W/ Bottom Door  
67"Hx43"Wx16"D  
Compartment size: (43"Wx12"Hx16"D)  
Opening Size: (9.5"Hx41"W)

Shelving W/ Drawers  
67"H X 43"W X 16"D  
Drawer Size:  
4X (15.75"Dx5"Hx16.5"W)

34" Shelving  
67"H X 34"W X 16"D

Partition  
**(SOLD SEPERATE FROM PACKAGE)**

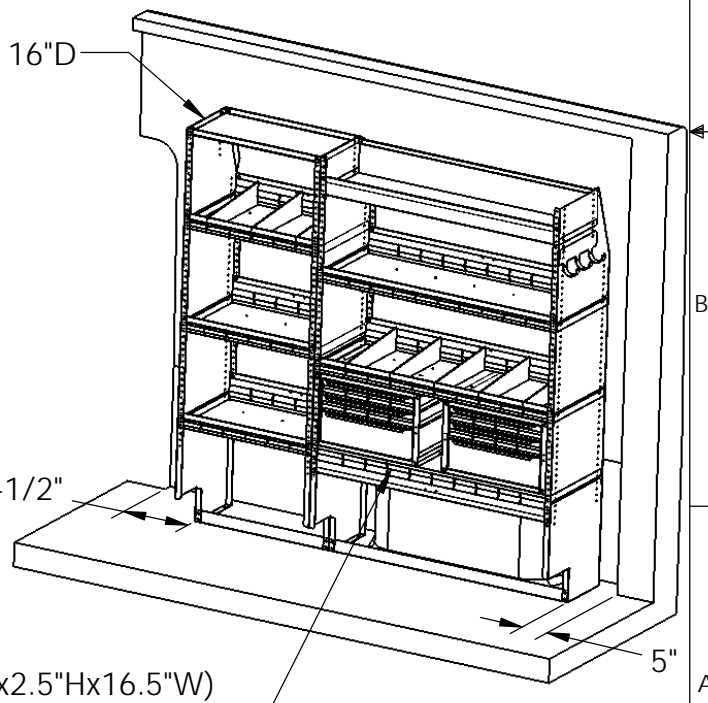
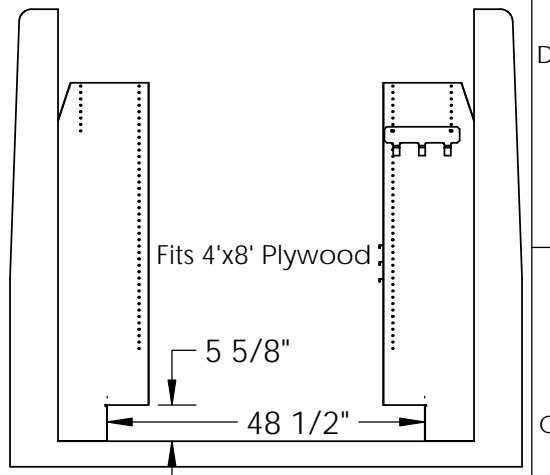
Note: Door Version Shown  
Also Available Without Door

24" Shelving  
67"H X 24"W X 16"D

Shelving W/6 Drawers  
67"Hx43"Wx16"D

Drawer Size: 4X (15.75"Dx2.5"Hx16.5"W)  
2x (15.75"Dx5"Hx16.5"w)

Wire Spool Rack  
Holds 4 (6.5" DIA) Spools



UNLESS OTHERWISE SPECIFIED  
DIMENSIONS ARE IN INCHES  
TOLERANCES ARE:  
DECIMALS ANGLES FRACTIONS  
X = +/- .1 X = +/- 1° +/- 1/32"  
.XX = +/- .03

SIZE	DESCRIPTION	Installed Weight	FINISH	DRAWN	DATE
A	Harbor Van Ram Promaster Electrical Contractor 159" WB	651 lbs	Epoxy Prime	KB	10/21/13

PACKAGE PART NUMBERS:  
HVREC-159WB & HVIR-BH  
**INSTALLED**

8 7 6 5 4 3 2 1

# HARBOR TRUCK BODIES

## ELECTRICAL HIGH PACKAGE

### FOR 159" WHEEL BASE RAM PROMASTER

REV	DWG	DATE	CHANGE DESCRIPTION	P/N: TBD
1	KB	10/21/13	CREATED PRINT	

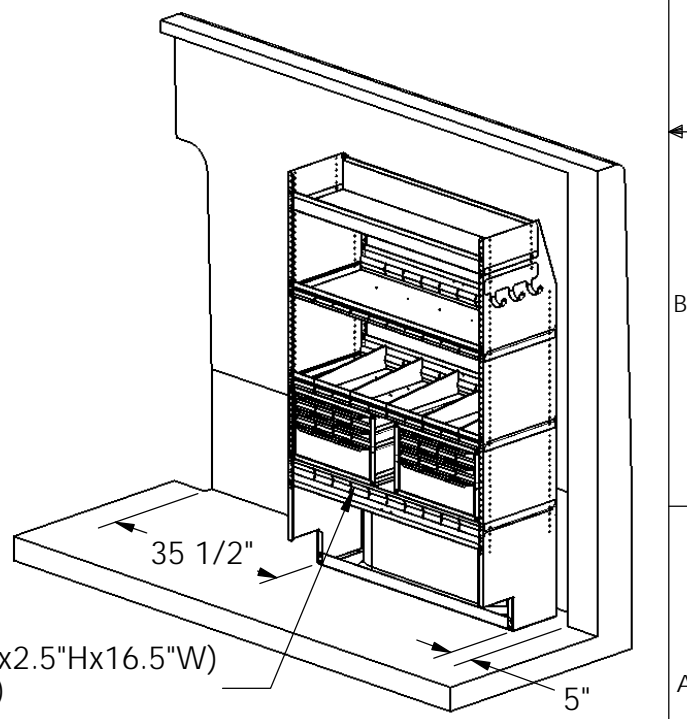
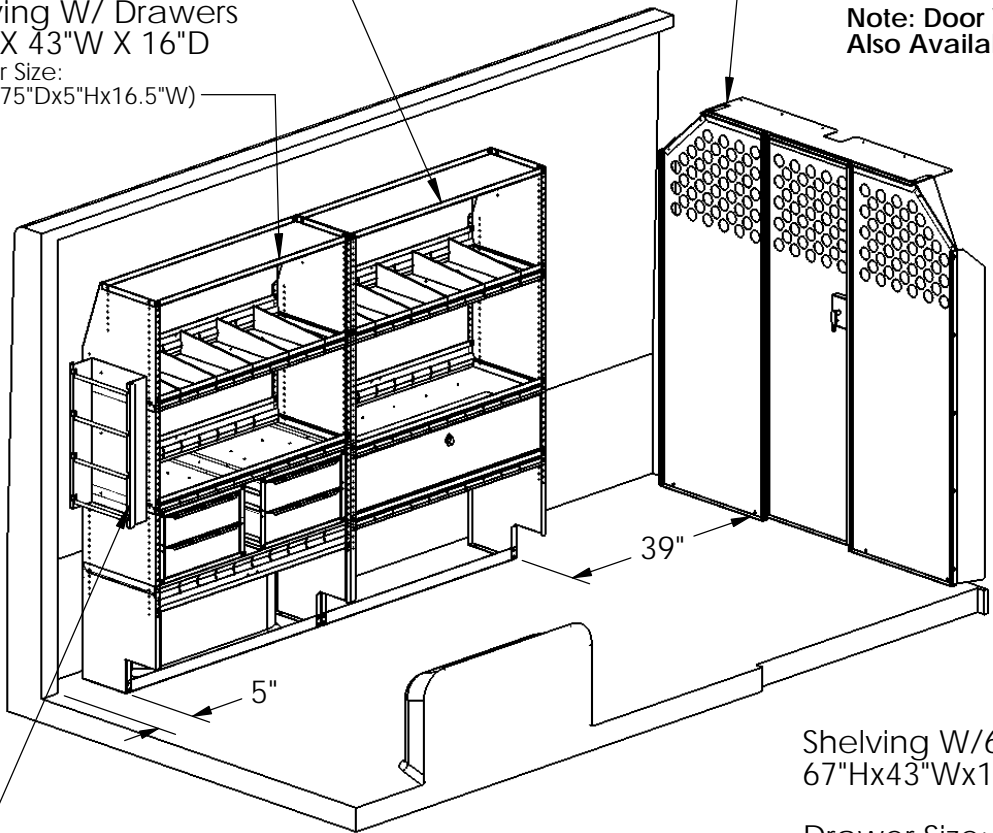
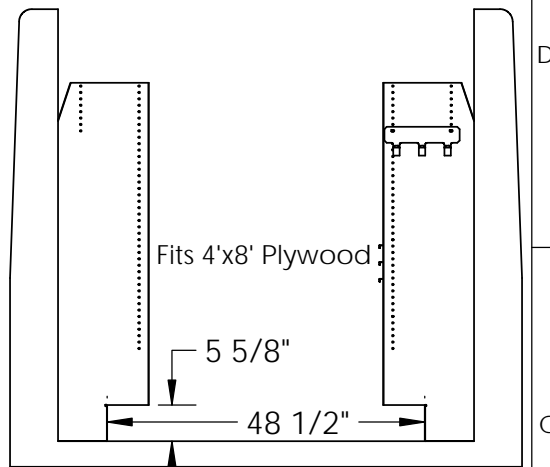
THE INFORMATION CONTAINED IN THIS DRAWING IS THE SOLE PROPERTY OF HARBOR TRUCK BODIES ANY REPRODUCTION IN PART OR WHOLE WITHOUT THE WRITTEN PERMISSION OF HARBOR TRUCK BODIES IS PROHIBITED.

Shelving W/ Bottom Door  
67"Hx43"Wx16"D  
Compartment size: (43"Wx12"Hx16"D)  
Opening Size: (9.5"Hx41"W)

Shelving W/ Drawers  
67"H X 43"W X 16"D  
Drawer Size:  
4X (15.75"Dx5"Hx16.5"W)

Partition  
**(SOLD SEPERATE FROM PACKAGE)**

Note: Door Version Shown  
Also Available Without Door



Wire Spool Rack  
Holds 4 (6.5" DIA) Spools

Shelving W/6 Drawers  
67"Hx43"Wx16"D

Drawer Size: 4X (15.75"Dx2.5"Hx16.5"W)  
2x (15.75"Dx5"Hx16.5"W)

UNLESS OTHERWISE SPECIFIED  
DIMENSIONS ARE IN INCHES  
TOLERANCES ARE:  
DECIMALS ANGLES FRACTIONS  
X = +/- .1 X = +/- 1° +/- 1/32"  
.XX = +/- .03

SIZE	DESCRIPTION	FINISH	DRAWN	DATE
A	Harbor Van Ram Promaster Electrical Contractor 159" WB	Epoxy Prime	KB	10/21/13
Installed Weight	651 lbs			

PACKAGE PART NUMBERS:  
HVREC-H & HVIR-BH  
**INSTALLED**

# HARBOR TRUCK BODIES

## ELECTRICAL PACKAGE & PARTITION FOR 136" WHEEL BASE RAM PROMASTER WITH HIGH ROOF

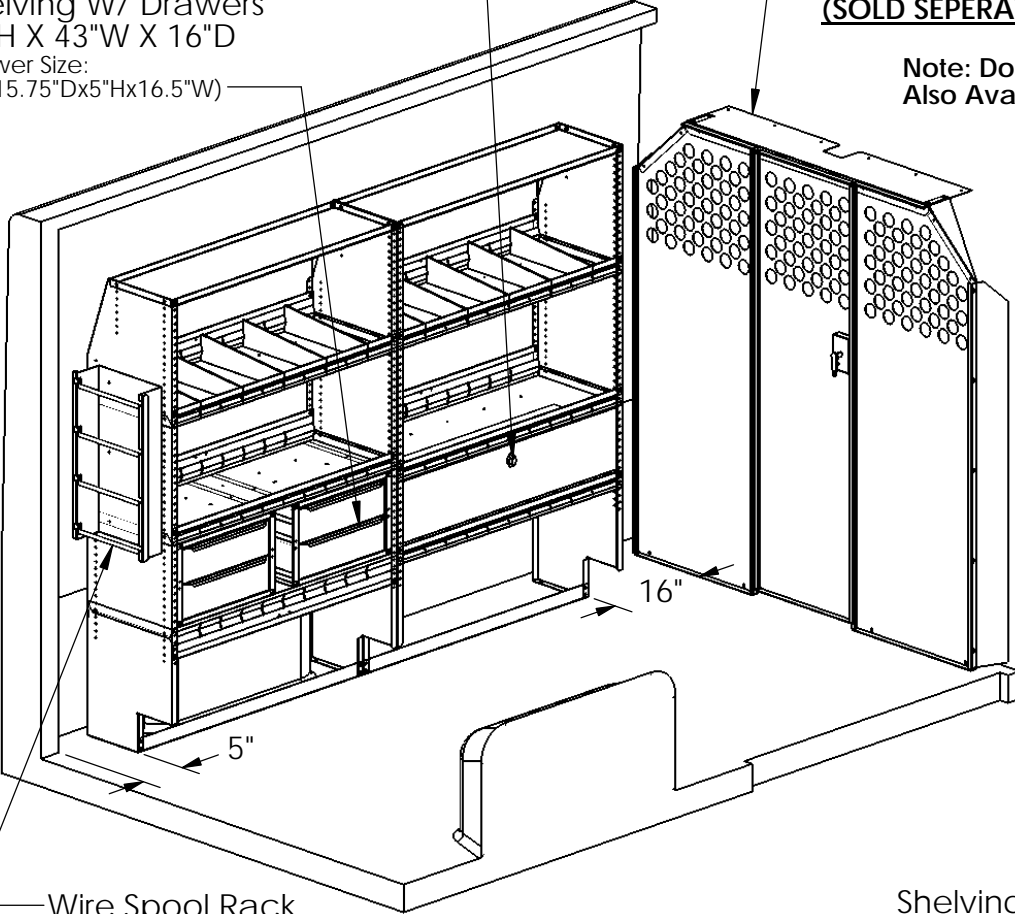
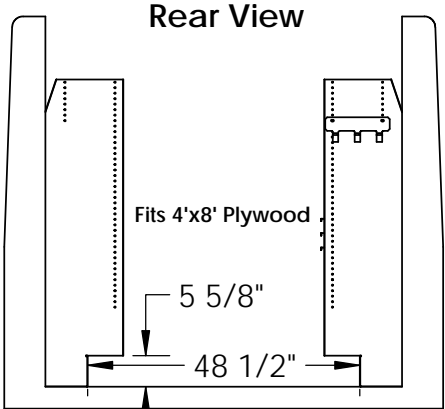
REV	DWG	DATE	CHANGE DESCRIPTION	P/N: TBD
1	KB	10/21/13	CREATED PRINT	

Shelving W/ Bottom Door  
 67"Hx43"Wx16"D  
 Compartment size: (43"Wx12"Hx16"D)  
 Opening Size: (9.5"Hx41"W)

Shelving W/ Drawers  
 67"H X 43"W X 16"D  
 Drawer Size:  
 4X (15.75"Dx5"Hx16.5"W)

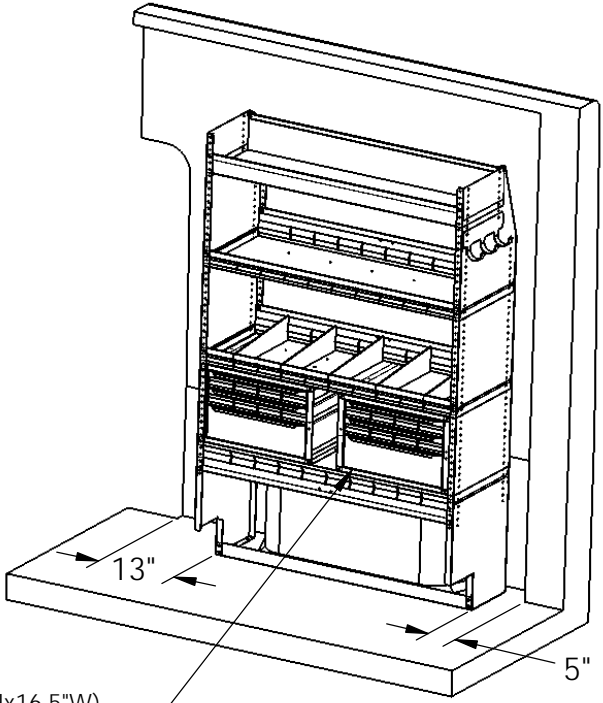
Partition  
(SOLD SEPERATE FROM PACKAGE)

Note: Door Version Shown  
 Also Available Without Door



Wire Spool Rack  
 Holds 4 (6.5" DIA) Spools

Shelving W/6 Drawers  
 67"Hx43"Wx16"D  
 Drawer Size: 4X (15.75"Dx2.5"Hx16.5"W)  
 2x (15.75"Dx5"Hx16.5"w)



THE INFORMATION CONTAINED IN THIS DRAWING IS THE SOLE PROPERTY OF HARBOR TRUCK BODIES ANY REPRODUCTION IN PART OR WHOLE WITHOUT THE WRITTEN PERMISSION OF HARBOR TRUCK BODIES IS PROHIBITED.



UNLESS OTHERWISE SPECIFIED  
 DIMENSIONS ARE IN INCHES  
 TOLERANCES ARE:  
 DECIMALS ANGLES FRACTIONS  
 X = +/- .1 X = +/- 1° +/- 1/32"  
 .XX = +/- .03

SIZE	DESCRIPTION	FINISH	DRAWN	DATE
A	Harbor Van Ram Promaster Electrical Contractor Package	Epoxy Prime	KB	10/21/13
Installed Weight	509 lbs			

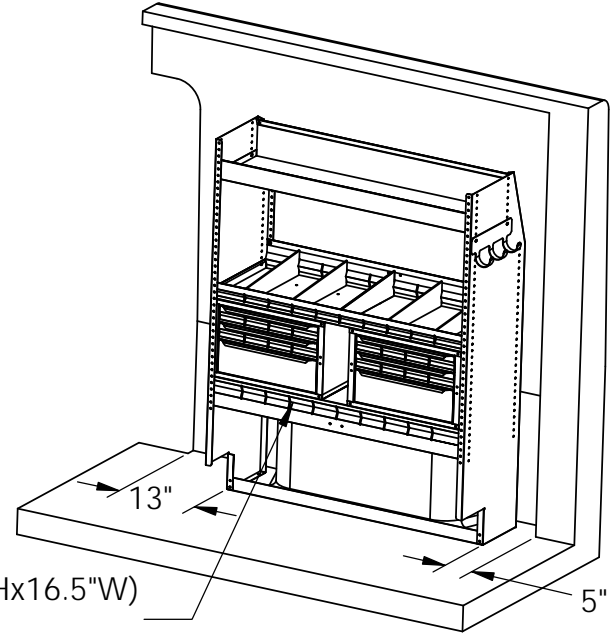
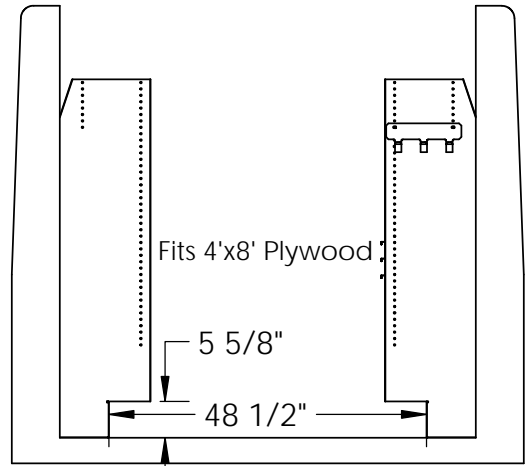
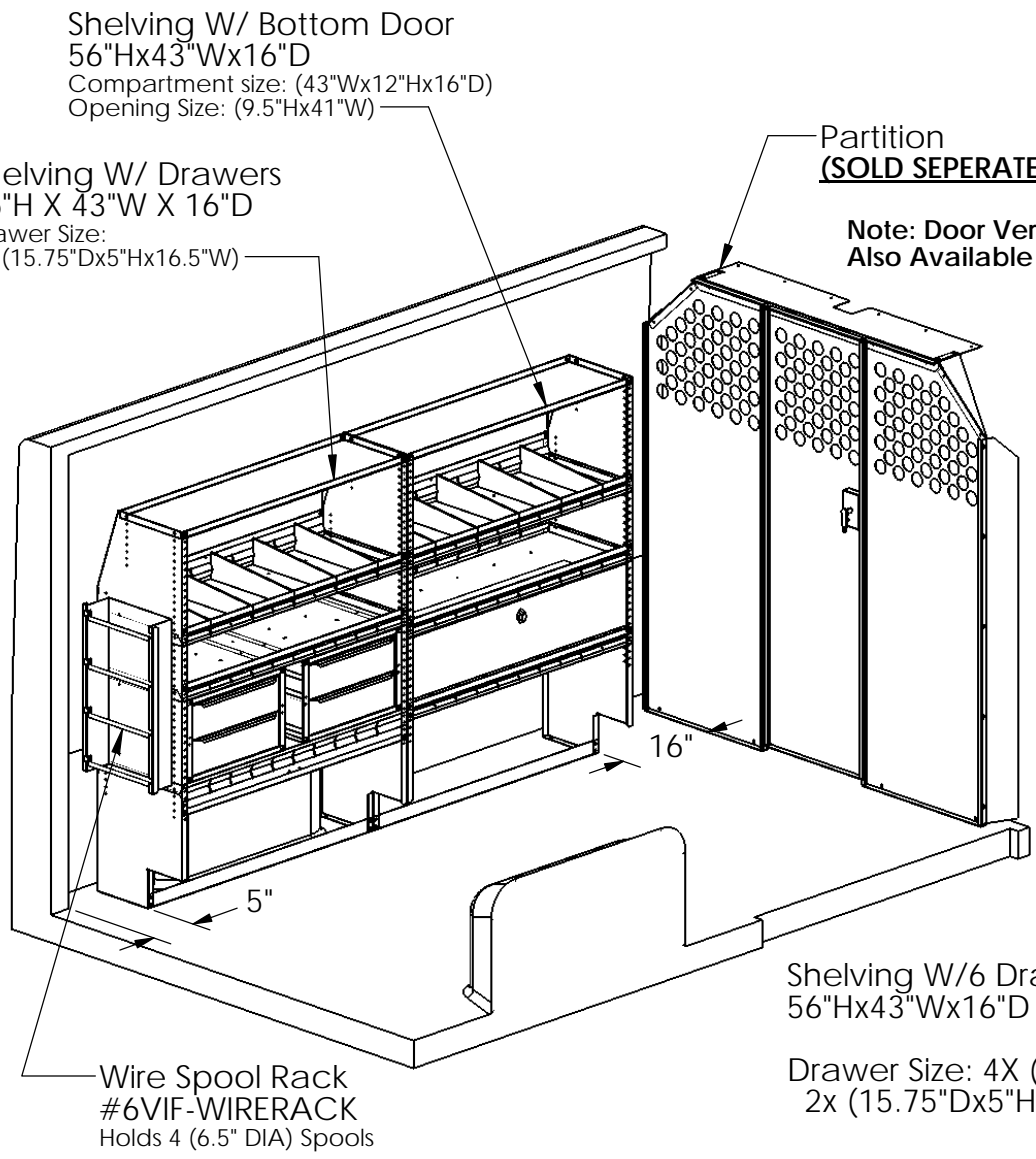
PACKAGE PART NUMBERS:  
**HVREC-H & HVIR-BH**  
**INSTALLED**

# HARBOR TRUCK BODIES

## ELECTRICAL PACKAGE & PARTITION FOR 136" WHEEL BASE RAM PROMASTERS WITH MEDIUM ROOF

REV	DWG	DATE	CHANGE DESCRIPTION	P/N: TBD
1	KB	10/21/13	CREATED PRINT	

THE INFORMATION CONTAINED IN THIS DRAWING IS THE SOLE PROPERTY OF HARBOR TRUCK BODIES ANY REPRODUCTION IN PART OR WHOLE WITHOUT THE WRITTEN PERMISSION OF HARBOR TRUCK BODIES IS PROHIBITED.



UNLESS OTHERWISE SPECIFIED  
DIMENSIONS ARE IN INCHES  
TOLERANCES ARE:  
DECIMALS ANGLES FRACTIONS  
X = +/- .1 X = +/- 1° +/- 1/32"  
.XX = +/- .03

SIZE	DESCRIPTION
A	Harbor Van Ram Promaster Electrical Contractor Package
Installed Weight	491 lbs
FINISH	Epoxy Prime
DRAWN	KB
DATE	10/21/13

**PACKAGE PART NUMBERS:**  
**HVREC-M & HVIR-BH**  
**INSTALLED**

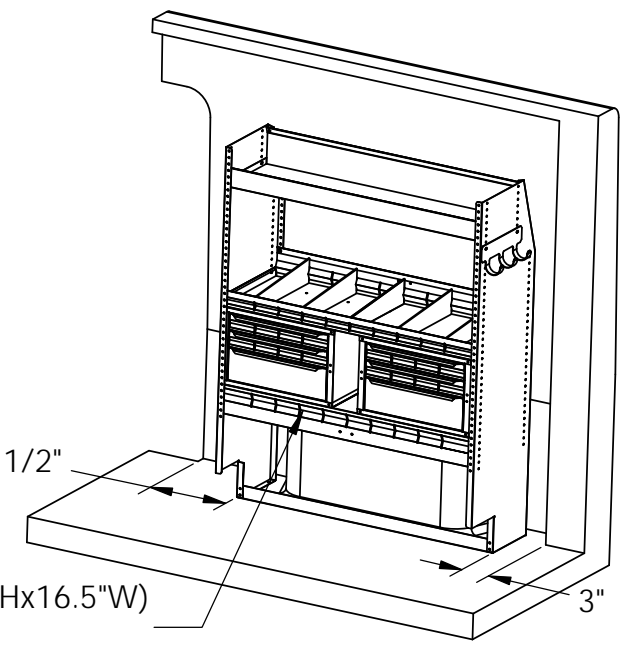
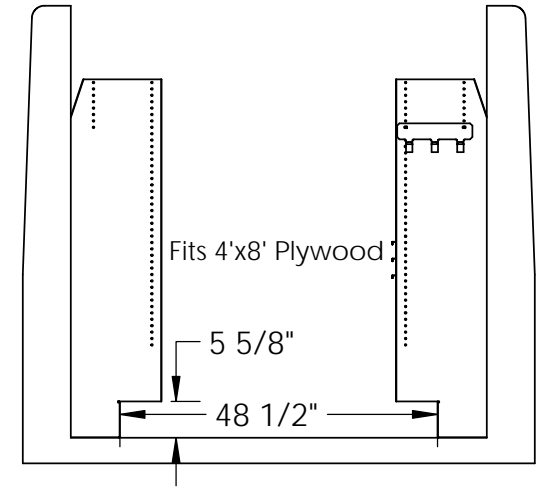
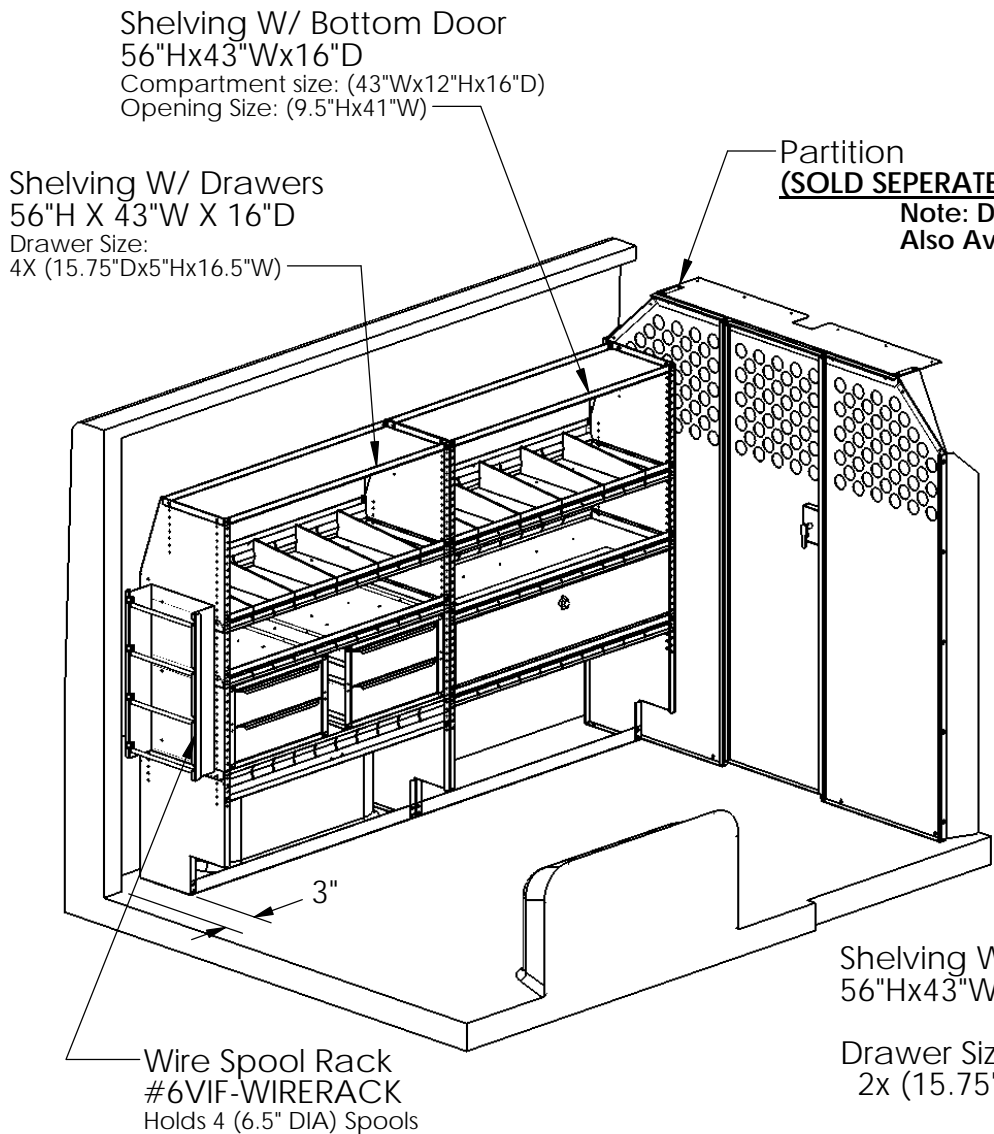
8 7 6 5 4 3 2 1

# HARBOR TRUCK BODIES

## ELECTRICAL PACKAGE & PARTITION FOR 118" WHEEL BASE RAM PROMASTERS WITH MEDIUM ROOF

REV	DWG	DATE	CHANGE DESCRIPTION	P/N: TBD
1	KB	10/21/13	CREATED PRINT	

THE INFORMATION CONTAINED IN THIS DRAWING IS THE SOLE PROPERTY OF HARBOR TRUCK BODIES ANY REPRODUCTION IN PART OR WHOLE WITHOUT THE WRITTEN PERMISSION OF HARBOR TRUCK BODIES IS PROHIBITED.



UNLESS OTHERWISE SPECIFIED  
DIMENSIONS ARE IN INCHES  
TOLERANCES ARE:  
DECIMALS ANGLES FRACTIONS  
X = +/- .1 X = +/- 1° +/- 1/32"  
.XX = +/- .03

SIZE	DESCRIPTION
A	Harbor Van Ram Promaster Electrical Contractor Package
Installed Weight	491 lbs
FINISH	Epoxy Prime
DRAWN	KB
DATE	10/21/13

**PACKAGE PART NUMBERS:  
HVREC-M & HVIR-BH**

8 7 6 5 4 3 2 1

D

C

B

A

8 7 6 5 4 3 2 1