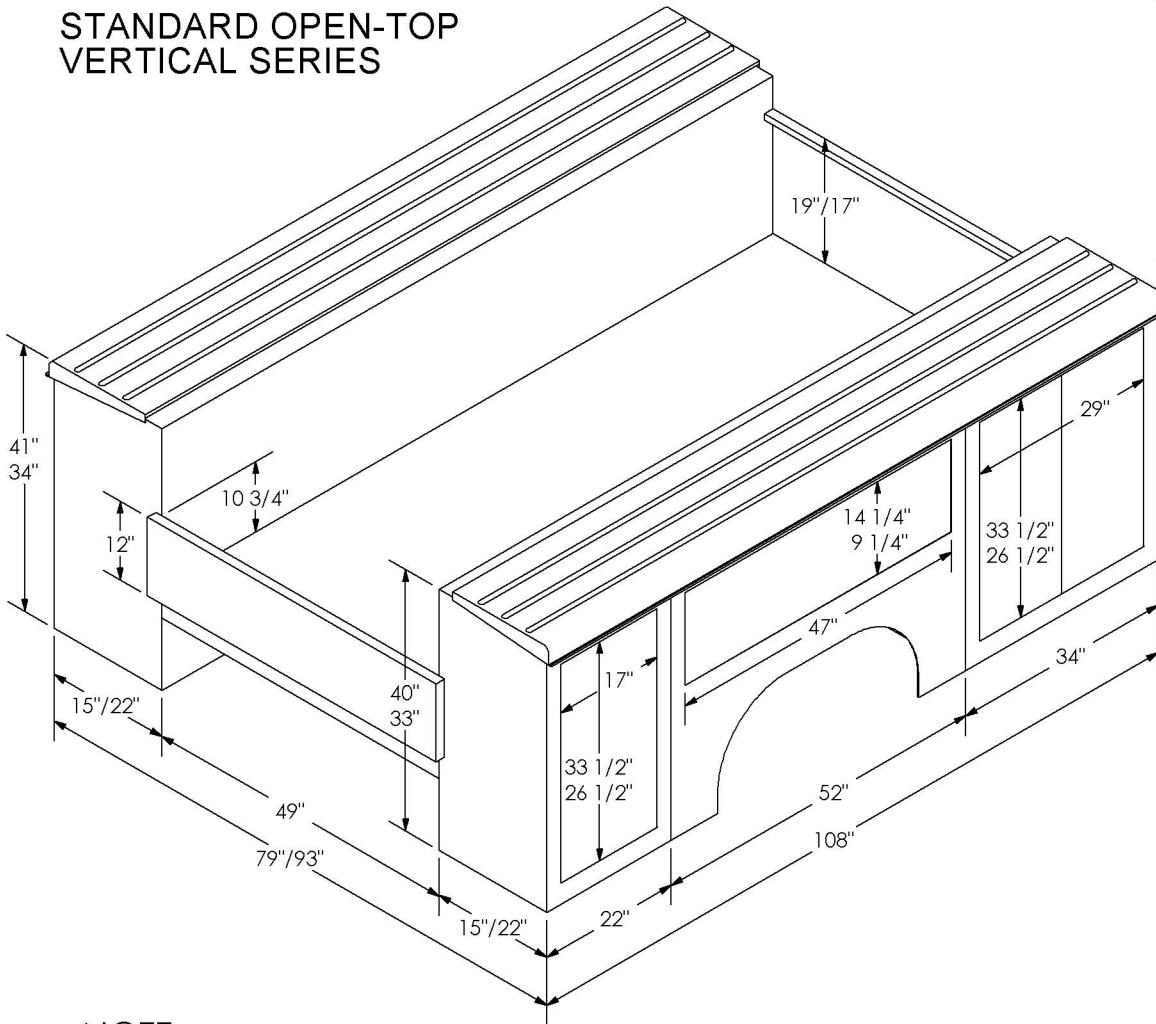
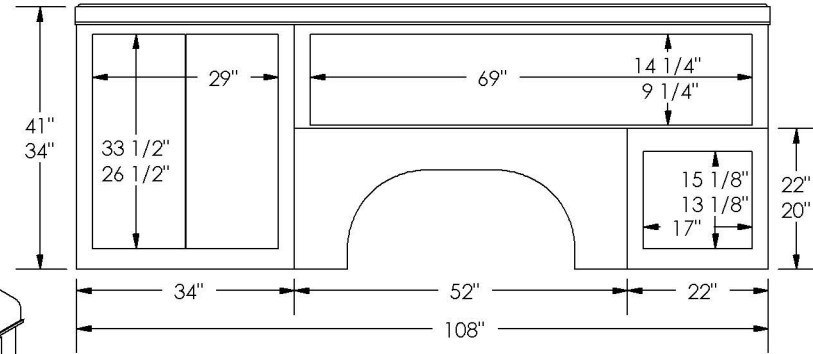


FORD 9-FT TRADEMASTER DIMENSIONS

STANDARD OPEN-TOP
VERTICAL SERIES

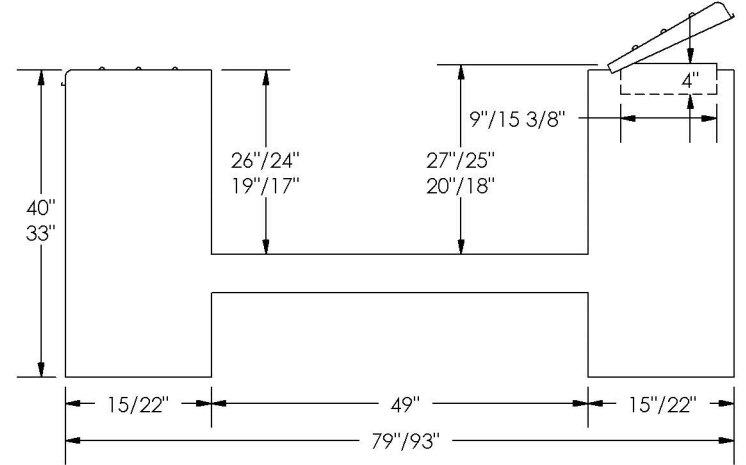


HORIZONTAL SERIES



CLOSED-TOP
MODEL

OPEN-TOP
MODEL



NOTE:

- 1) DOOR COMPARTMENT DIMENSIONS ARE THE CLEAR DOOR OPENING.
- 2) TOP VERTICAL DIMENSIONS ARE STANDARD HEIGHT BODIES, BOTTOM DIMENSIONS ARE LOW PROFILE BODIES.
- 3) DIMENSIONS WITH FORWARD SLASH ARE SRW / DRW.