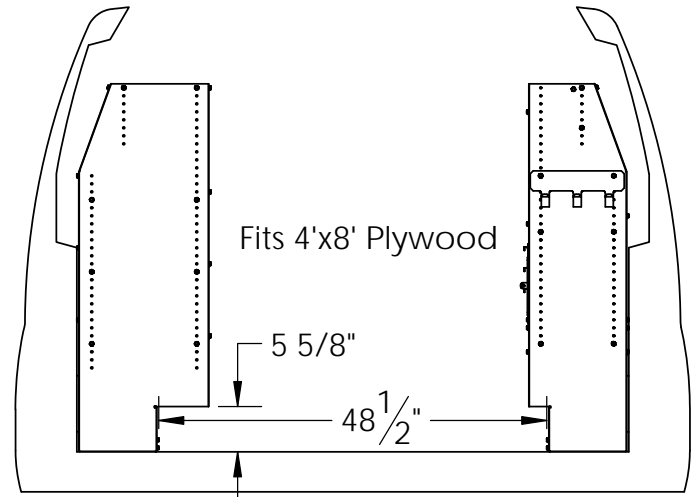
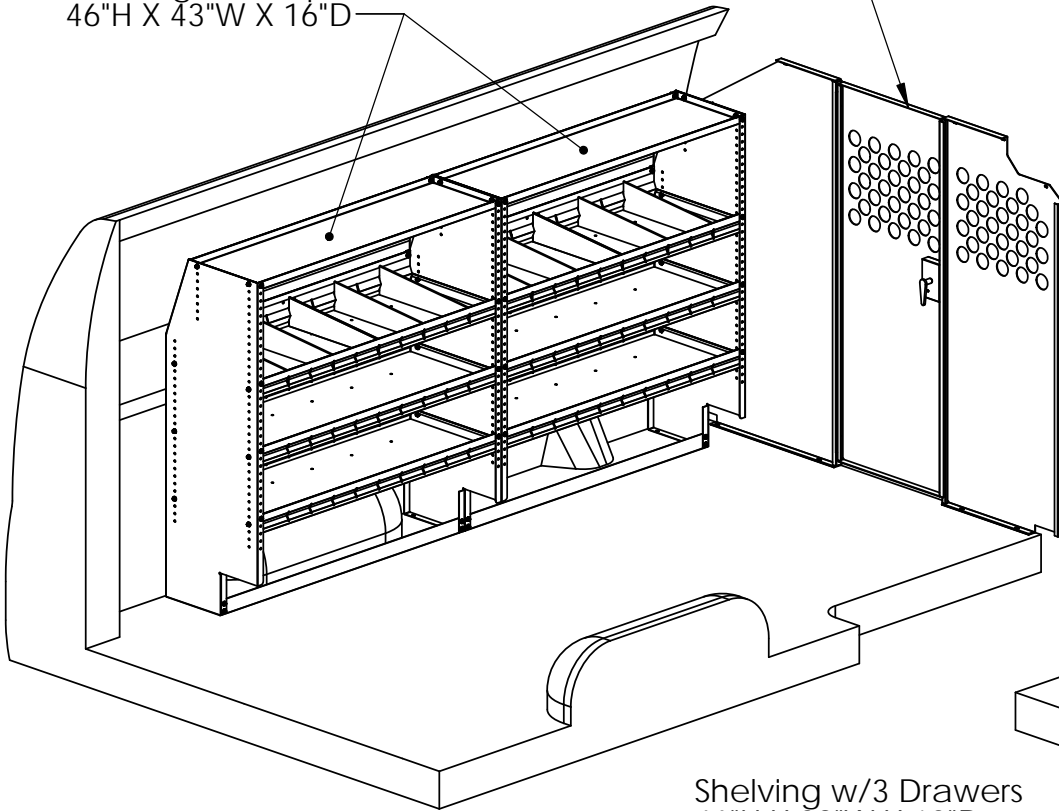


# HARBOR TRUCK BODIES PLUS PACKAGE FOR CHEVY VAN

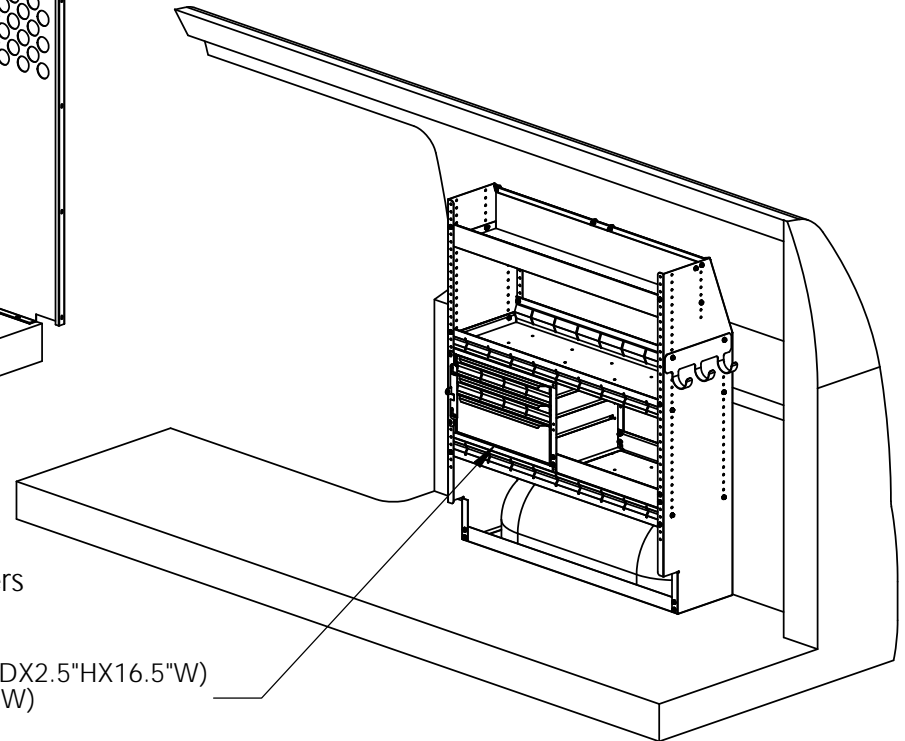
Shelving w/ Drop-in Dividers  
46"H X 43"W X 16"D

Partition



Shelving w/3 Drawers  
46"H X 38"W X 12"D

DRAWER SIZE: 2X (11.75"DX2.5"HX16.5"W)  
1X (11.75"DX5"HX16.5"W)



THE INFORMATION CONTAINED IN THIS DRAWING IS THE SOLE PROPERTY OF HARBOR TRUCK BODIES. ANY REPRODUCTION IN PART OR WHOLE WITHOUT THE WRITTEN PERMISSION OF HARBOR TRUCK BODIES IS PROHIBITED.



UNLESS OTHERWISE SPECIFIED  
DIMENSIONS ARE IN INCHES  
TOLERANCES ARE:  
DECIMALS ANGLES FRACTIONS  
X = +/- .1 X = +/- 1° +/- 1/32"  
.XX = +/- .03

SIZE	DESCRIPTION	FINISH	DRAWN	DATE
A	Harbor Van Chevy Plus Package	Epoxy Primed	KB	03/23/16
Installed Weight	328 lbs.			

PART NO:	HVGMSD
	<b>INSTALLED</b>