

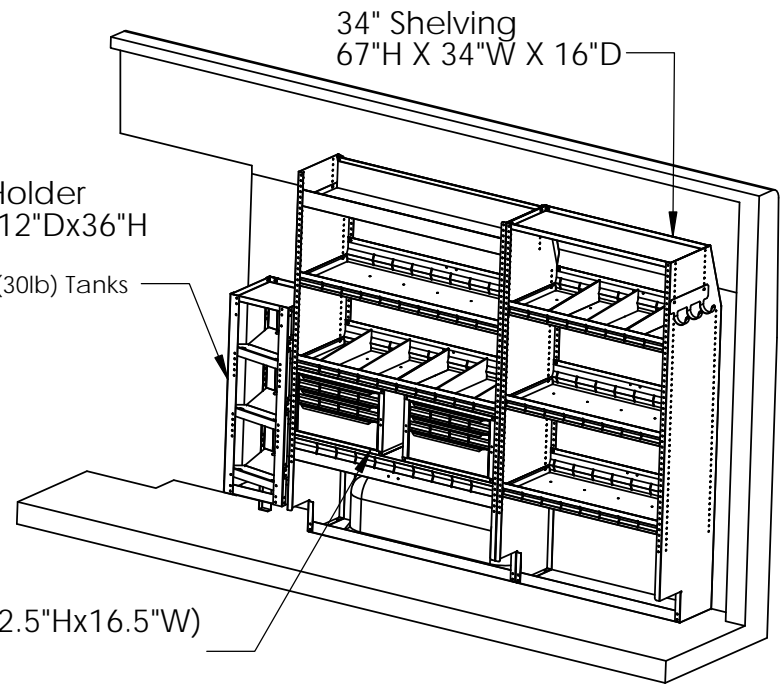
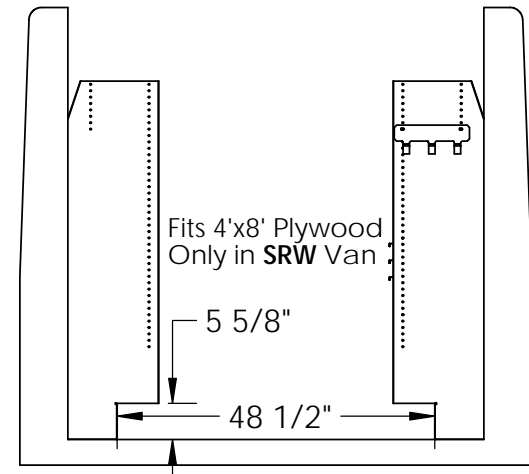
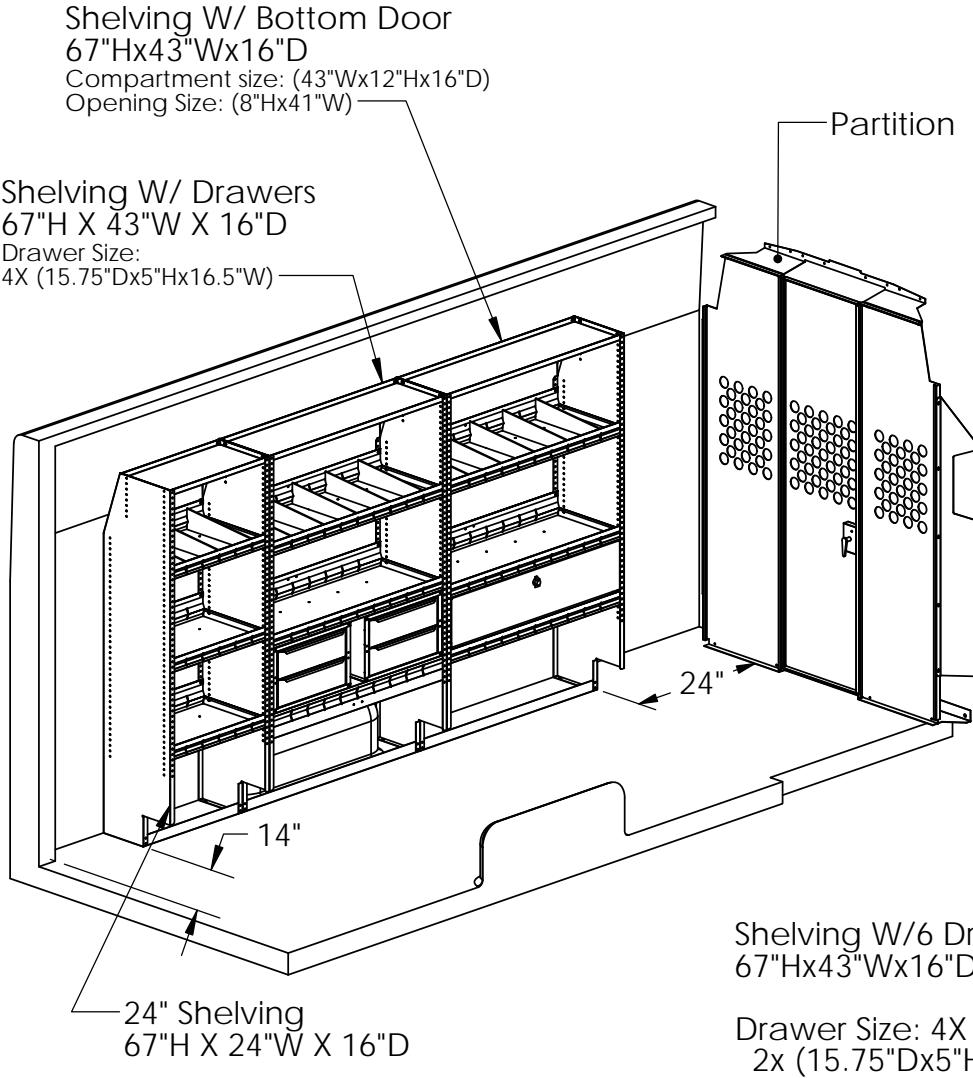
# HARBOR TRUCK BODIES

## PHVAC PACKAGE & PARTITION

### FOR 148" EXTENDED WHEEL BASE FORD TRANSIT

REV	DWG	DATE	CHANGE DESCRIPTION	P/N: TBD
1	KB	05/26/15	CREATED PRINT	

THE INFORMATION CONTAINED IN THIS DRAWING IS THE SOLE PROPERTY OF HARBOR TRUCK BODIES. ANY REPRODUCTION IN PART OR WHOLE WITHOUT THE WRITTEN PERMISSION OF HARBOR TRUCK BODIES IS PROHIBITED.



UNLESS OTHERWISE SPECIFIED  
DIMENSIONS ARE IN INCHES  
TOLERANCES ARE:  
DECIMALS ANGLES FRACTIONS  
X = +/- .1 X = +/- 1° +/- 1/32"  
.XX = +/- .03

SIZE	DESCRIPTION	Harbor Van Transit PHVAC Package	
A	Interior Weight	697 lbs	FINISH Epoxy Prime
			DRAWN KB DATE 03/23/16

PACKAGE PART NUMBERS:  
HVTPHVAC-H-148E  
**INSTALLED**

8 7 6 5 4 3 2 1

# HARBOR TRUCK BODIES

## PHVAC PACKAGE & PARTITION

### FOR 148" WHEEL BASE FORD TRANSIT WITH HIGH ROOF

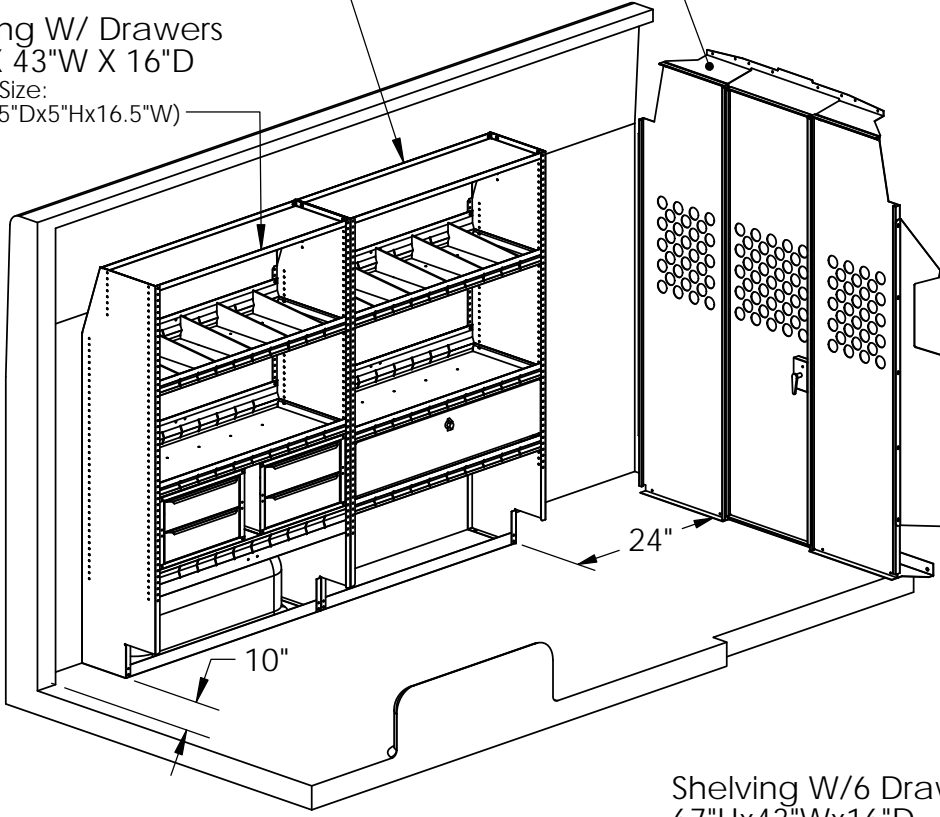
REV	DWG	DATE	CHANGE DESCRIPTION	P/N: TBD
1	KB	05/26/15	CREATED PRINT	

THE INFORMATION CONTAINED IN THIS DRAWING IS THE SOLE PROPERTY OF HARBOR TRUCK BODIES ANY REPRODUCTION IN PART OR WHOLE WITHOUT THE WRITTEN PERMISSION OF HARBOR TRUCK BODIES IS PROHIBITED.

Shelving W/ Bottom Door  
67"Hx43"Wx16"D  
Compartment size: (43"Wx12"Hx16"D)  
Opening Size: (8"Hx41"W)

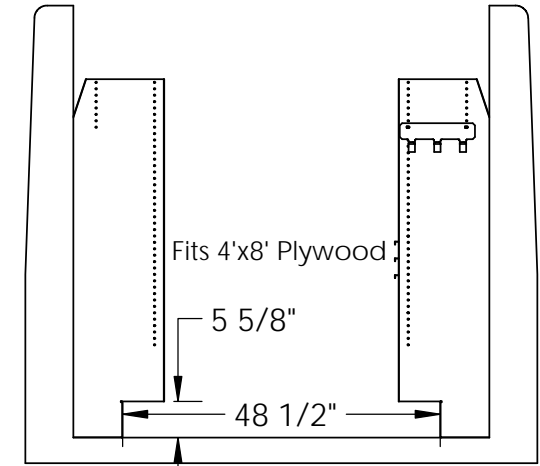
Shelving W/ Drawers  
67"H X 43"W X 16"D  
Drawer Size:  
4X (15.75"Dx5"Hx16.5"W)

Partition



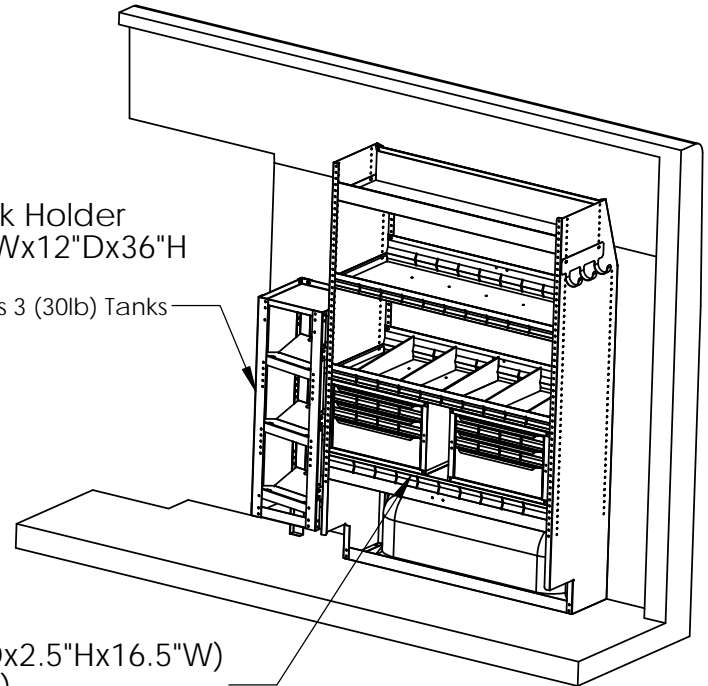
Shelving W/6 Drawers  
67"Hx43"Wx16"D

Drawer Size: 4X (15.75"Dx2.5"Hx16.5"W)  
2x (15.75"Dx5"Hx16.5"w)



Tank Holder  
12"Wx12"Dx36"H

Holds 3 (30lb) Tanks



UNLESS OTHERWISE SPECIFIED  
DIMENSIONS ARE IN INCHES  
TOLERANCES ARE:  
DECIMALS ANGLES FRACTIONS  
X = +/- .1 X = +/- 1° +/- 1/32"  
.XX = +/- .03

SIZE	DESCRIPTION	Harbor Van Transit PHVAC Package		PACKAGE PART NUMBERS	
A	Interior Weight	558 lbs	FINISH	DRAWN	DATE
			Epoxy Prime	KB	03/23/16

**HVTPHVAC-H  
INSTALLED**

8 7 6 5 4 3 2 1

# HARBOR TRUCK BODIES

## PHVAC PACKAGE & PARTITION

### FOR 148" WHEEL BASE FORD TRANSIT WITH MEDIUM ROOF

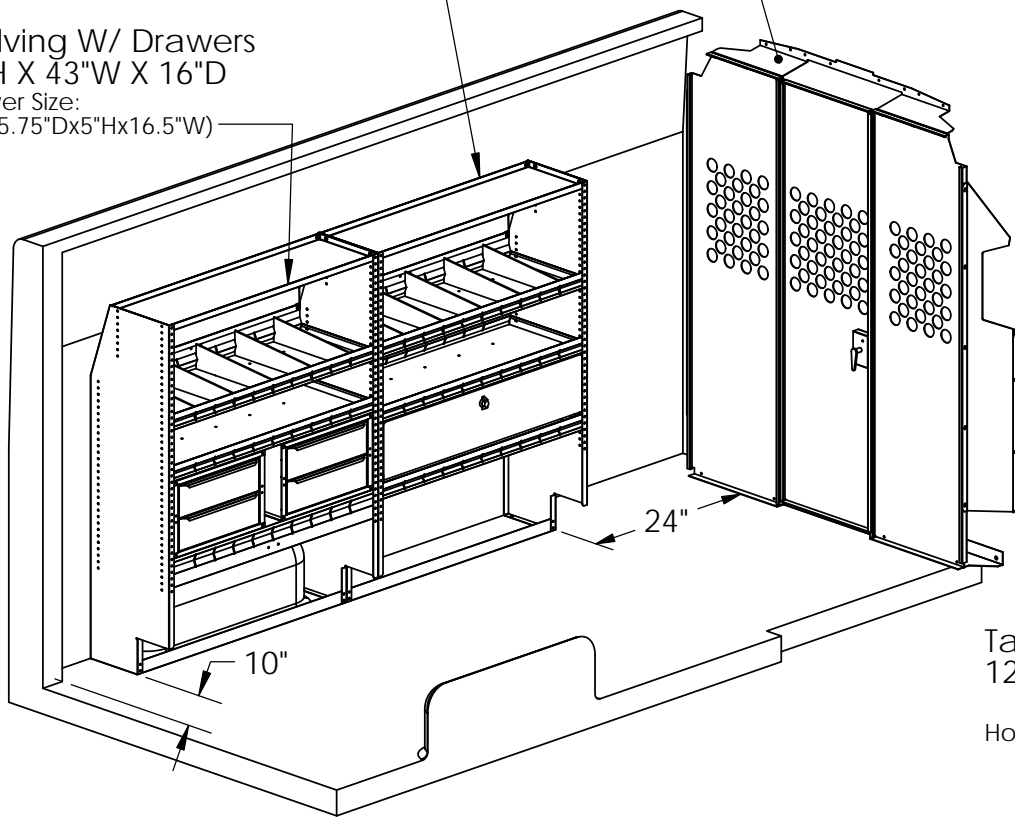
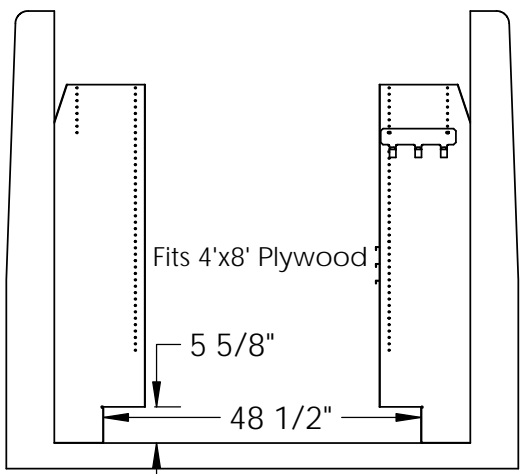
REV	DWG	DATE	CHANGE DESCRIPTION	P/N: TBD
1	KB	05/26/15	CREATED PRINT	

THE INFORMATION CONTAINED IN THIS DRAWING IS THE SOLE PROPERTY OF HARBOR TRUCK BODIES ANY REPRODUCTION IN PART OR WHOLE WITHOUT THE WRITTEN PERMISSION OF HARBOR TRUCK BODIES IS PROHIBITED.

Shelving W/ Bottom Door  
 56"Hx43"Wx16"D  
 Compartment size: (43"Wx12"Hx16"D)  
 Opening Size: (8"Hx41"W)

Shelving W/ Drawers  
 56"H X 43"W X 16"D  
 Drawer Size:  
 4X (15.75"Dx5"Hx16.5"W)

Partition

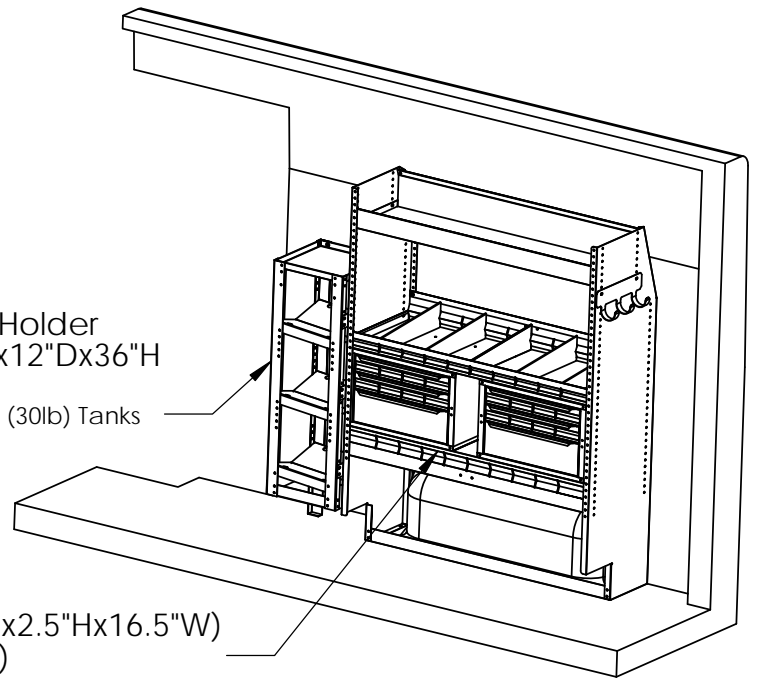


Tank Holder  
 12"Wx12"Dx36"H

Holds 3 (30lb) Tanks

Shelving W/6 Drawers  
 56"Hx43"Wx16"D

Drawer Size: 4X (15.75"Dx2.5"Hx16.5"W)  
 2x (15.75"Dx5"Hx16.5"w)



UNLESS OTHERWISE SPECIFIED  
 DIMENSIONS ARE IN INCHES  
 TOLERANCES ARE:  
 DECIMALS ANGLES FRACTIONS  
 .X = +/- .1 X = +/- 1° +/- 1/32"  
 .XX = +/- .03

SIZE	DESCRIPTION	Harbor Van Transit PHVAC Package	
A	Interior Weight	527 lbs	FINISH Epoxy Prime
			DRAWN KB
			DATE 03/23/16

PACKAGE PART NUMBERS:  
**HVTPHVAC-M**  
**INSTALLED**

8 7 6 5 4 3 2 1

# HARBOR TRUCK BODIES

## PHVAC PACKAGE & PARTITION

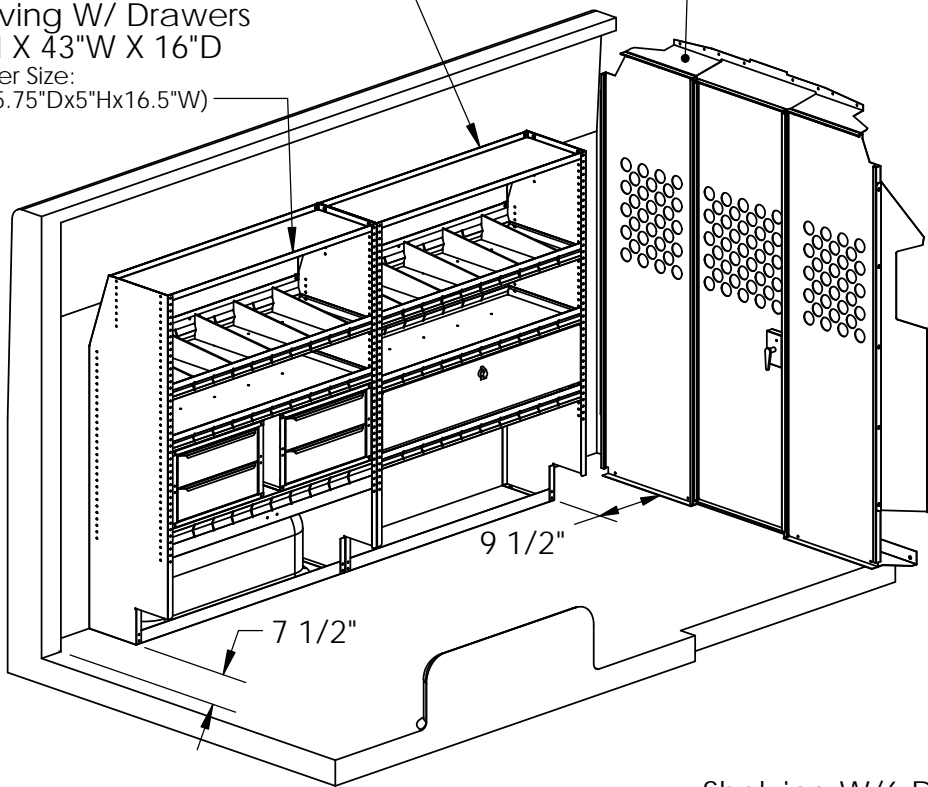
### FOR 130" WHEEL BASE FORD TRANSIT WITH MEDIUM ROOF

REV	DWG	DATE	CHANGE DESCRIPTION	P/N: TBD
1	KB	05/26/15	CREATED PRINT	

Shelving W/ Bottom Door  
 56"Hx43"Wx16"D  
 Compartment size: (43"Wx12"Hx16"D)  
 Opening Size: (8"Hx41"W)

Shelving W/ Drawers  
 56"H X 43"W X 16"D  
 Drawer Size:  
 4X (15.75"Dx5"Hx16.5"W)

Partition

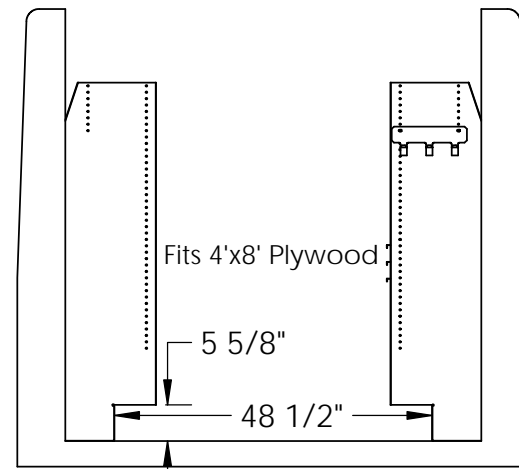


9 1/2"

7 1/2"

Shelving W/6 Drawers  
 56"Hx43"Wx16"D

Drawer Size: 4X (15.75"Dx2.5"Hx16.5"W)  
 2x (15.75"Dx5"Hx16.5"w)



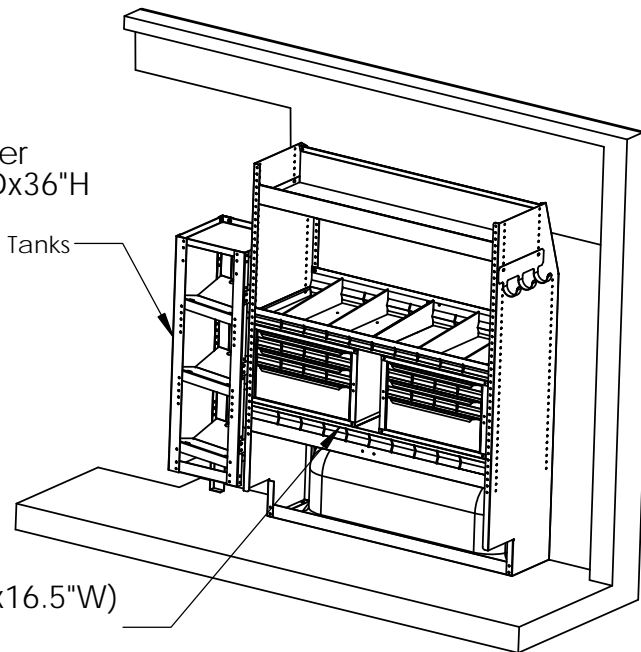
Fits 4'x8' Plywood

5 5/8"

48 1/2"

Tank Holder  
 12"Wx12"Dx36"H

Holds 3 (30lb) Tanks



THE INFORMATION CONTAINED IN THIS DRAWING IS THE SOLE PROPERTY OF HARBOR TRUCK BODIES ANY REPRODUCTION IN PART OR WHOLE WITHOUT THE WRITTEN PERMISSION OF HARBOR TRUCK BODIES IS PROHIBITED.



UNLESS OTHERWISE SPECIFIED  
 DIMENSIONS ARE IN INCHES  
 TOLERANCES ARE:  
 DECIMALS ANGLES FRACTIONS  
 X = +/- .1 X = +/- 1° +/- 1/32"  
 .XX = +/- .03

SIZE	DESCRIPTION	Harbor Van Transit PHVAC Package	
A	Interior Weight	527 lbs	FINISH Epoxy Prime
			DRAWN KB
			DATE 03/23/16

PACKAGE PART NUMBERS:  
**HVTPHVAC-M**  
**INSTALLED**

8 7 6 5 4 3 2 1

8 7 6 5 4 3 2 1

# HARBOR TRUCK BODIES

## PHVAC PACKAGE & PARTITION

### FOR 148" WHEEL BASE FORD TRANSIT WITH LOW ROOF

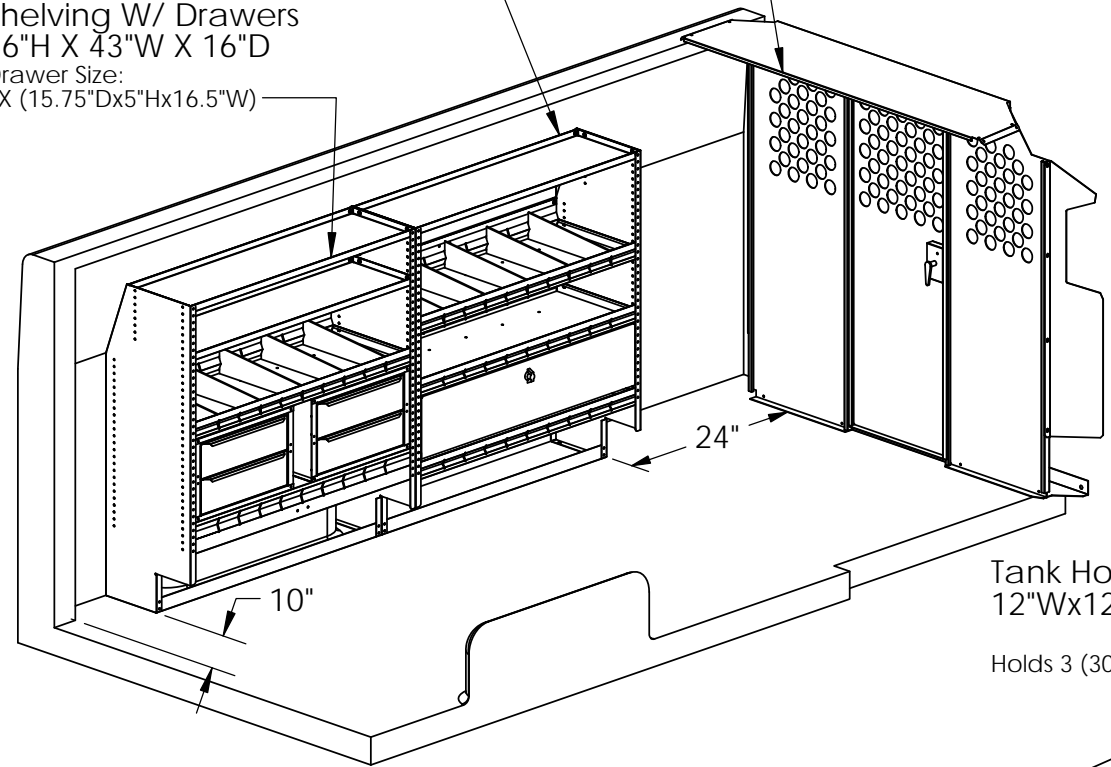
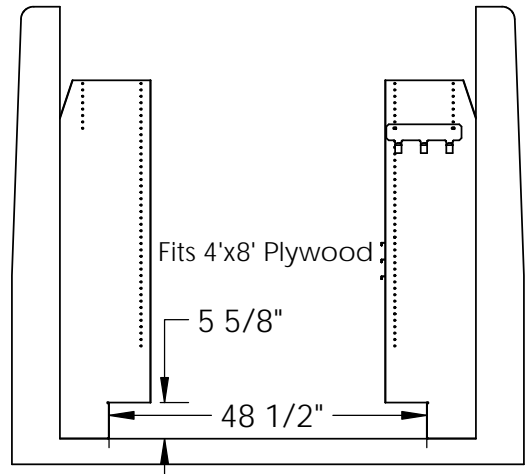
REV	DWG	DATE	CHANGE DESCRIPTION	P/N: TBD
1	KB	05/26/15	CREATED PRINT	

THE INFORMATION CONTAINED IN THIS DRAWING IS THE SOLE PROPERTY OF HARBOR TRUCK BODIES ANY REPRODUCTION IN PART OR WHOLE WITHOUT THE WRITTEN PERMISSION OF HARBOR TRUCK BODIES IS PROHIBITED.

Shelving W/ Bottom Door  
46"Hx43"Wx16"D  
Compartment size: (43"Wx12"Hx16"D)  
Opening Size: (8"Hx41"W)

Shelving W/ Drawers  
46"H X 43"W X 16"D  
Drawer Size:  
4X (15.75"Dx5"Hx16.5"W)

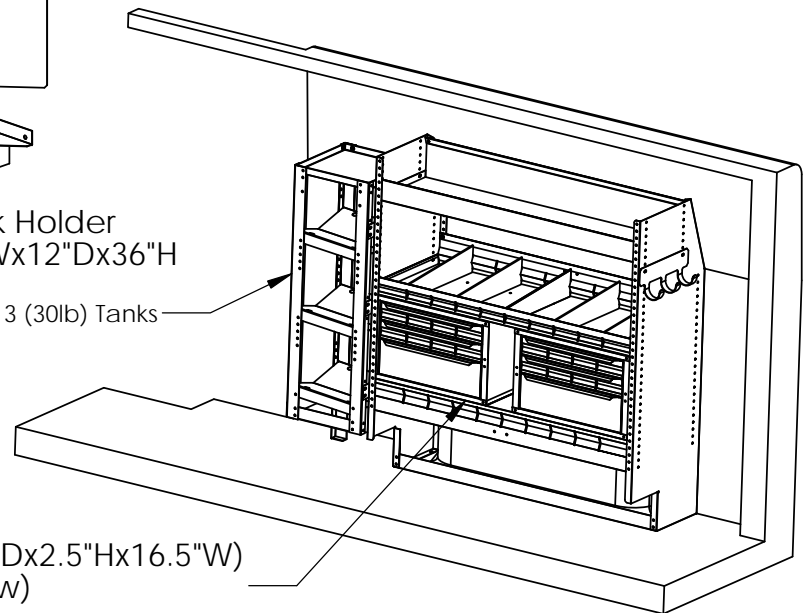
Partition



Tank Holder  
12"Wx12"Dx36"H  
Holds 3 (30lb) Tanks

Shelving W/6 Drawers  
46"Hx43"Wx16"D

Drawer Size: 4X (15.75"Dx2.5"Hx16.5"W)  
2x (15.75"Dx5"Hx16.5"W)



A

A

B

B

C

C

D

D



UNLESS OTHERWISE SPECIFIED  
DIMENSIONS ARE IN INCHES  
TOLERANCES ARE:  
DECIMALS ANGLES FRACTIONS  
X = +/- .1 X = +/- 1° +/- 1/32"  
.XX = +/- .03

SIZE	DESCRIPTION	Harbor Van Transit PHVAC Package		PACKAGE PART NUMBERS: HVTPHVAC-L	
A	Interior Weight	504 lbs	FINISH	DRAWN	DATE
			Epoxy Prime	KB	03/23/16

**INSTALLED**

8 7 6 5 4 3 2 1

# HARBOR TRUCK BODIES

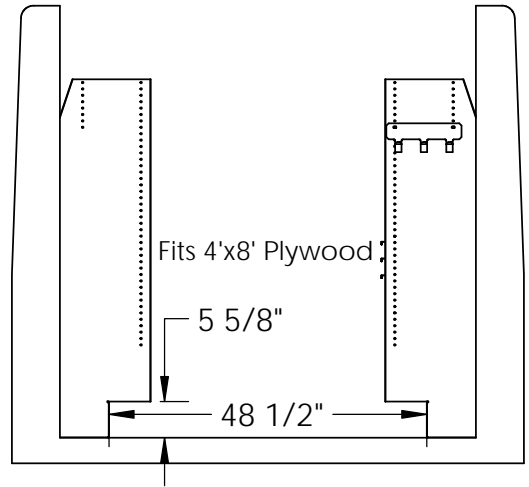
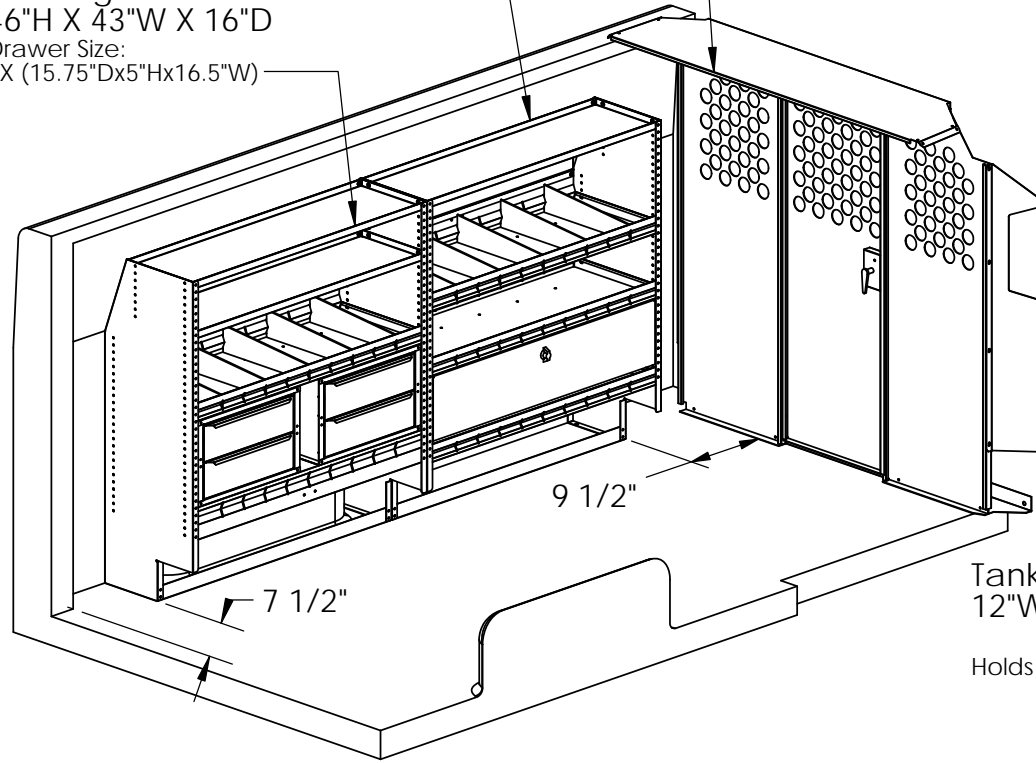
## PHVAC PACKAGE & PARTITION

### FOR 130" WHEEL BASE FORD TRANSIT WITH LOW ROOF

REV	DWG	DATE	CHANGE DESCRIPTION	P/N: TBD
1	KB	05/26/15	CREATED PRINT	

Shelving W/ Bottom Door  
 46"Hx43"Wx16"D  
 Compartment size: (43"Wx12"Hx16"D)  
 Opening Size: (8"Hx41"W)

Shelving W/ Drawers  
 46"H X 43"W X 16"D  
 Drawer Size:  
 4X (15.75"Dx5"Hx16.5"W)

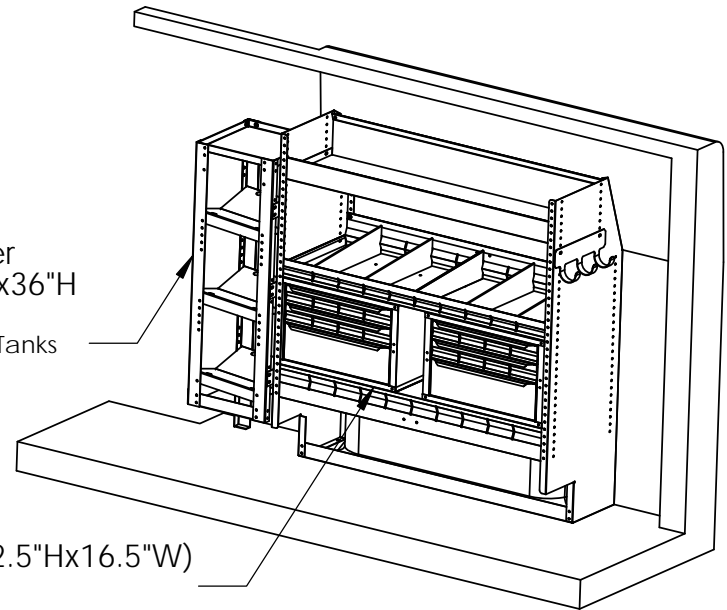


Tank Holder  
 12"Wx12"Dx36"H

Holds 3 (30lb) Tanks

Shelving W/6 Drawers  
 46"Hx43"Wx16"D

Drawer Size: 4X (15.75"Dx2.5"Hx16.5"W)  
 2x (15.75"Dx5"Hx16.5"W)



THE INFORMATION CONTAINED IN THIS DRAWING IS THE SOLE PROPERTY OF HARBOR TRUCK BODIES. ANY REPRODUCTION IN PART OR WHOLE WITHOUT THE WRITTEN PERMISSION OF HARBOR TRUCK BODIES IS PROHIBITED.



UNLESS OTHERWISE SPECIFIED  
 DIMENSIONS ARE IN INCHES  
 TOLERANCES ARE:  
 DECIMALS ANGLES FRACTIONS  
 X = +/- .1 X = +/- 1° +/- 1/32"  
 .XX = +/- .03

SIZE	DESCRIPTION	FINISH	DRAWN	DATE
A	Harbor Van Transit PHVAC Package	Epoxy Prime	KB	03/23/16
Interior Weight	504 lbs			

PACKAGE PART NUMBERS:  
**HVTPHVAC-L**  
**INSTALLED**